

**PLEASE CHECK WWW.MOLEX.COM FOR LATEST PART INFORMATION**

**Part Number:** **0191640080**  
**Status:** **Active**  
**Description:** Perma-Seal™ Ring Tongue Terminal for 8 AWG Wire, Stud Size 10

**Documents:**  
[Drawing \(PDF\)](#) [RoHS Certificate of Compliance \(PDF\)](#)

**Agency Certification**

CSA LR18689  
 UL E32244

**General**

Product Family Ring and Spade Terminals  
 Series 19164  
 Crimp Quality Equipment Yes  
 Mil-Spec N/A  
 Product Name Perma-Seal™  
 Type Ring

**Physical**

Barrel Type Closed  
 Flammability 94V-0  
 Insulation NiAc™  
 Material - Plating Mating Tin  
 Packaging Type Bag  
 Stud Size 10 (M5)  
 Wire Insulation Diameter 9.53mm (.375")  
 Wire Size AWG 8  
 Wire Size mm² 7.96

**Material Info**

Old Part Number SD-656-10

**Reference - Drawing Numbers**

Sales Drawing SD-19164-023

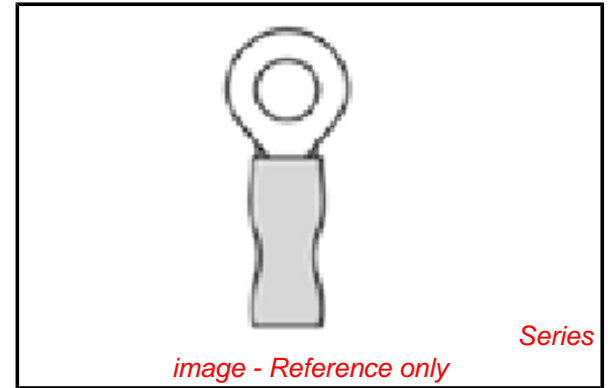


image - Reference only

**EU RoHS**

**ELV and RoHS Compliant**  
**REACH SVHC**  
 Not Reviewed  
**Halogen-Free Status**  
 Not Reviewed

**China RoHS**



**Need more information on product environmental compliance?**

Email [productcompliance@molex.com](mailto:productcompliance@molex.com)  
 For a multiple part number RoHS Certificate of Compliance, [click here](#)

Please visit the [Contact Us](#) section for any non-product compliance questions.

**Search Parts in this Series**

19164Series

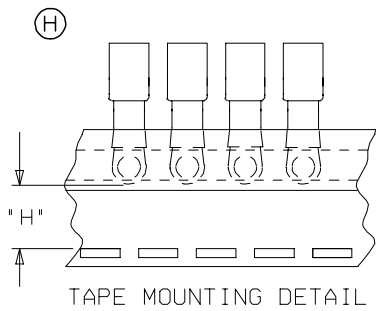
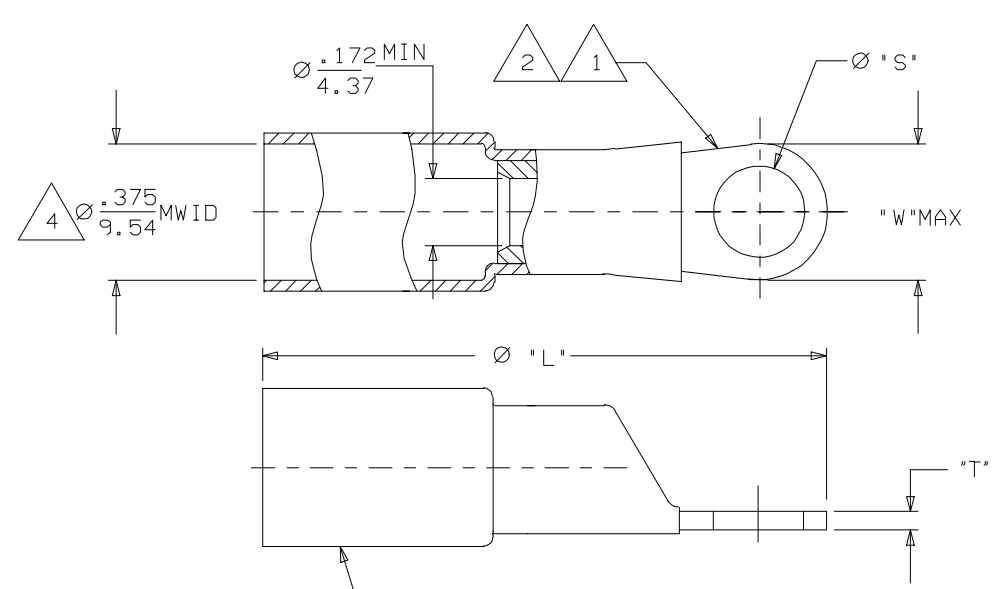
**Application Tooling | FAQ**

*Tooling specifications and manuals are found by selecting the products below. Crimp Height Specifications are then contained in the Application Tooling Specification document.*

**Global**

Description	Product #
Hand Crimp Tool	<a href="#">0640013900</a>
Crimp Head for the AT-200™ Pneumatic Hand Tool	<a href="#">0640050100</a>
Crimp Head for the AT-200™ Pneumatic Hand Tool	<a href="#">0640055400</a>

MATERIAL NUMBER	ENGINEERING NUMBER	MATERIAL NUMBER ON TAPE	ENGINEERING NUMBER ON TAPE	"L" MAX	"S" ±.010 (0.25)	"W" MAX	"H" ±.010 (0.25)	"T" REF
191640889	SD-656-08	N/A	N/A	1.60 (40.6)	.173 (4.39)	.38 (9.7)	N/A	.045/1.14
191640080	SD-656-10	N/A	N/A	1.60 (40.6)	.214 (5.44)	.38 (9.7)	N/A	.045/1.14
191640081	SD-651-14	191640603	SD-651-14T	1.79 (45.5)	.280 (7.11)	.60 (15.2)	.348 (8.84)	.045/1.14
191640083	SD-651-56	191640605	SD-651-56T	1.79 (45.5)	.343 (8.71)	.60 (15.2)	.348 (8.84)	.045/1.14
191640082	SD-652-38	N/A	N/A	2.05 (51.1)	.405 (10.29)	.82 (20.8)	N/A	.050/1.27
191640839	SD-652-76	N/A	N/A	2.05 (52.1)	.468 (11.89)	.82 (20.8)	N/A	.050/1.27
191640457	SD-652-12	N/A	N/A	2.05 (52.1)	.530 (13.46)	.82 (20.8)	N/A	.050/1.27



NOTE(S):

- 1 TERMINAL MATERIAL: COPPER ALLOY.
- 2 FINISH: ELECTRO TIN PLATE.
- 3 INSULATION MATERIAL: HEAT SHRINKABLE TUBING WITH HOTMELT ASHESIVE INNER LINER. COLOR: RED.
- 4 MWID - MAXIMUM WIRE INSULATION DIAMETER.
- (H) 5. ASSEMBLY IS ROHS COMPLIANT.

CHARTED DIM. T & ADDED ROHS EC NO: ETC2007-0019 DRW: NEHLE CHKD: JMACNEIL APPR: JMACNEIL	2007/08/22	2007/09/11	2007/09/19	QUALITY SYMBOLS ▽=0 ▽=0	GENERAL TOLERANCES (UNLESS SPECIFIED)		DIMENSION STYLE	SCALE	DESIGN UNITS	THIRD ANGLE PROJECTION	
					mm	INCH	IN/MM	4:1	INCH		
	4 PLACES	±----	±----		R DEROSS	DATE	TITLE				
	3 PLACES	±----	±----		CHECKED BY	DATE	RING TONGUE TERMINAL PERMA-SEAL SD-600-SERIES 8 AWG				
2 PLACES	±----	±----	R DEROSS	DATE	MOLEX INCORPORATED						
1 PLACE	±----	±----	APPROVED BY	DATE	MATERIAL NO. DOCUMENT NO. SHEET NO.						
ANGULAR ±----			R DEROSS	DATE	SEE CHART		SD-19164-023		1 OF 1		
DRAFT WHERE APPLICABLE MUST REMAIN WITHIN DIMENSIONS					SIZE	THIS DRAWING CONTAINS INFORMATION THAT IS PROPRIETARY TO MOLEX INCORPORATED AND SHOULD NOT BE USED WITHOUT WRITTEN PERMISSION					