



SW12280E(12V28AH)



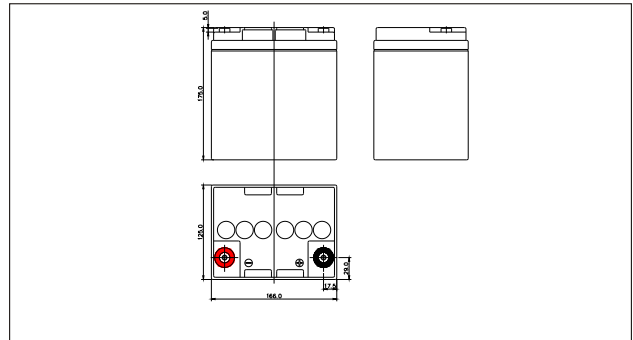
Specifications

Nominal Voltage		12V
Rated capacity (20 hour rate)		28 Ah
Dimensions	Total Height	175 mm (6.89 inches)
	Height	175 mm (6.89 inches)
	Length	165mm (6.50 inches)
	Width	125 mm (4.92 inches)
Weight Approx		8.5Kg (18.7lbs)

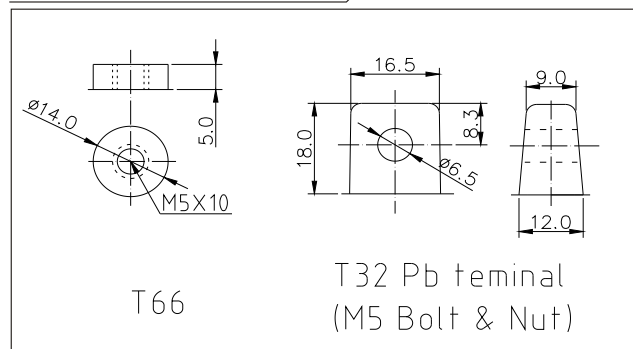
Characteristics

Capacity 25°C(77°F)	20 hour rate(1.40A)	28.0 AH
	10 hour rate(2.56A)	25.6AH
	5 hour rate(4.48A)	22.4AH
	1 hour rate(15.40A)	15.4AH
Internal Resistance	Full charged Battery at 25°C(77°F)	9 mΩ
Capacity affected by Temperature (20hour rate)	40°C(104°F)	102%
	25°C(77°F)	100%
	0°C(32°F)	85%
	-15°C(5°F)	65%
Self-Discharge at 25°C(77°F)	Capacity after 3 month storage	91%
	Capacity after 6 month storage	82%
	Capacity after 12 month storage	64%
Terminal		T66、T32
Charge (constant Voltage)	Cycle	Initial Charging Current less than 7.0A Voltage 14.40-14.70V
	Float	Voltage 13.50-13.80V

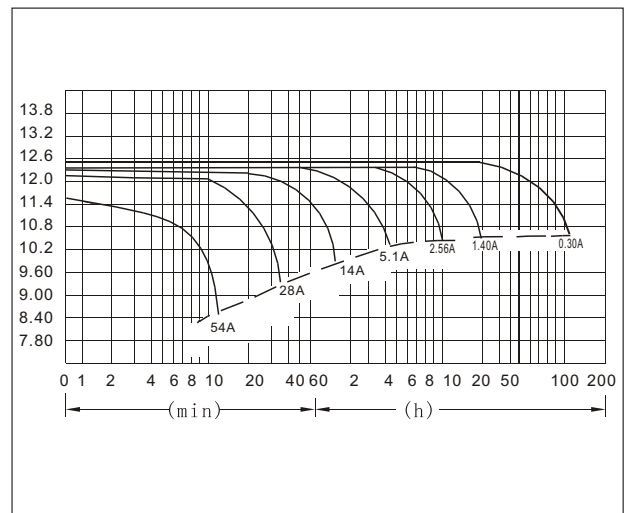
Outer dimensions (mm)



Terminal Type (mm)



Discharge Curves 25°C(77°F)



Constant Current(Amp) and Constant Power(Watt) Discharge Table at 25°C(77°F)

Time		10min	30min	1h	3h	4h	5h	8h	10h	20h	50h	100h
9.60V	A	54	29	15.4	6.6	5.1	4.23	2.98	2.69	1.45	0.60	0.310
	W	600	313	178	76	59	49	35	31	16.8	7.2	3.7
10.20V	A	53	28	14.4	6.4	5.0	4.15	2.92	2.62	1.42	0.58	0.302
	W	577	310	167	74	58	48	34	30	16.4	6.9	3.6
10.50V	A	50	27	14.0	6.3	4.9	4.10	2.90	2.56	1.40	0.57	0.295
	W	560	293	162	72	57	47	34	30	16.2	6.8	3.5
10.80V	A	47	26	13.5	6.1	4.8	4.00	2.82	2.50	1.38	0.56	0.292
	W	538	282	155	71	56	47	33	30	16.1	6.7	3.5
11.10V	A	43	24	12.7	5.9	4.7	3.89	2.74	2.43	1.31	0.55	0.282
	W	529	279	151	70	55	46	33	29	15.6	6.6	3.4