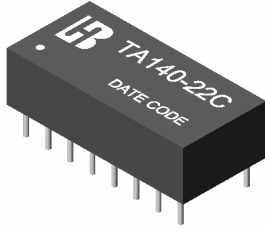


**10 BASE-T ETHERNET COUPLING TRANSFORMER**

**P/N:TA140-22C DATA SHEET**

**Feature**



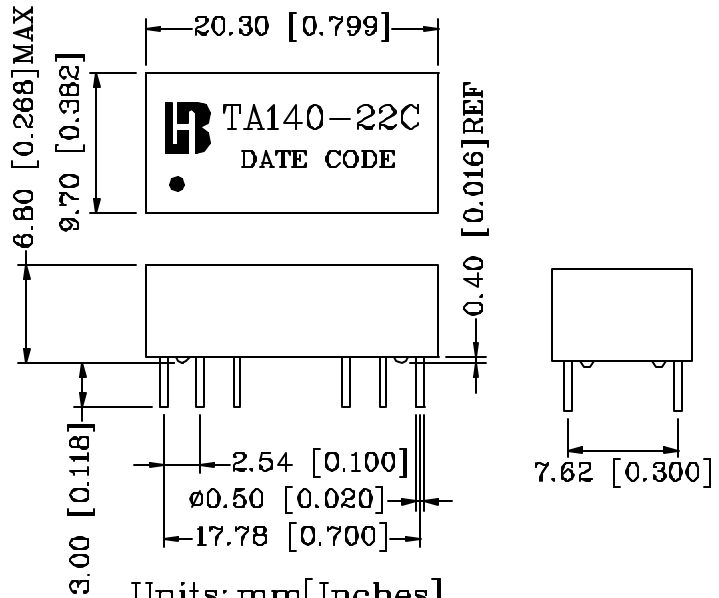
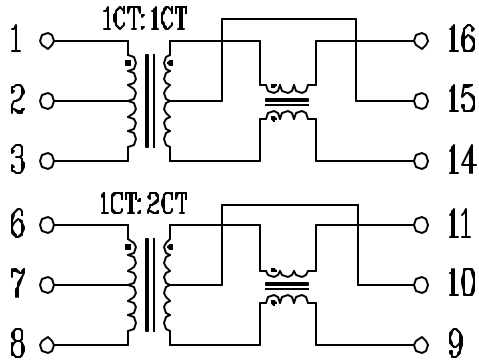
- Low profile package 16 PIN DIP package to meet IEEE802.3&10-BASE T specification
- Low leakage inductance and winding capacitances for fast rise time.
- High isolation voltages to comply with international safety requirements for LANS.
- Operating temperature range: 0°C to +70°C.
- Storage temperature range: -25°C to +125°C.

**Electrical Specifications @ 25°C**

Part Number	Turns Ratio(±5%)		OCL (uH Min) @100KHz/50mV	PRI/SEC Cw/w (pF Max) @100KHz/50mV	PRI L.L(uH Max) @100KHz/50mV
	(1-3):(16-14)	(6-8):(11-9)			
TA140-22C	1CT:1CT	1CT:2CT	140	15	0.4
Continue					
Part Number	DCR(Ω Max) Each Winding	Common Choke Inductance (uH TYP) Each Winding	Primary Pins	PRI TO SEC HI-POT(Vrms) @1mA	
TA140-22C	0.3	30	1-3,6-8	2000	

**Schematic**

**Mechanical**



Units: mm[Inches]  
 Tolerances: xx.x0±0.25[0.010]  
 0.xx±0.05[0.002]