

PLEASE CHECK WWW.MOLEX.COM FOR LATEST PART INFORMATION

Part Number: [0097000001](#)
Status: **Active**
Overview: [kk](#)
Description: KK® Cat Ear Crimp Terminal 4809, 22-30 AWG, Un-plated, Reel

Documents:

[Drawing \(PDF\)](#) [RoHS Certificate of Compliance \(PDF\)](#)
[Product Specification PS-99020-0088 \(PDF\)](#)

General

Product Family	Crimp Terminals
Series	4809
Crimp Quality Equipment	Yes
Overview	kk
Product Name	Cat Ear, KK®

Physical

Durability (mating cycles max)	25
Gender	Female
Material - Metal	Brass
Material - Plating Mating	Tin
Material - Plating Termination	Tin
Packaging Type	Reel
Plating min: Mating (µin)	40
Plating min: Mating (µm)	1.00
Plating min: Termination (µin)	40
Plating min: Termination (µm)	1.00
Termination Interface: Style	Crimp or Compression
Wire Insulation Diameter	1.57mm (.062") max
Wire Size AWG	22, 24, 26, 28, 30
Wire Size mm²	N/A

Electrical

Current - Maximum per Contact	3A
Voltage - Maximum	250V

Material Info

Old Part Number	4809CP902BF
-----------------	-------------

Reference - Drawing Numbers

Product Specification	PS-99020-0088
Sales Drawing	SD-4809C-(***)*

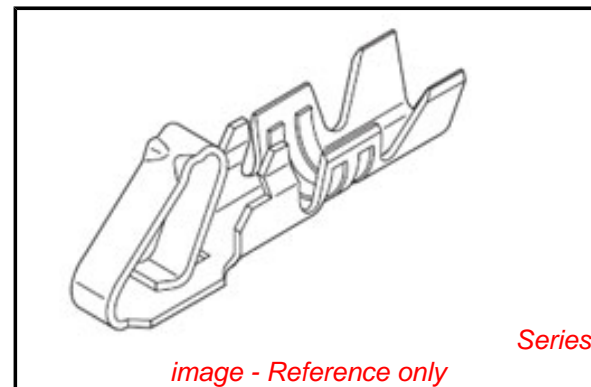


image - Reference only

EU RoHS

**ELV and RoHS
Compliant**
**REACH SVHC
Contains SVHC: No**
**Halogen-Free
Status**

China RoHS



**Need more information on product
environmental compliance?**

Email productcompliance@molex.com
 For a multiple part number RoHS Certificate of Compliance, [click here](#)

Please visit the [Contact Us](#) section for any non-product compliance questions.

Search Parts in this Series

[4809Series](#)

Mates With

Molex KK 2.54mm (.100") pitch headers and 0.04mm (.025") pins

Use With

5051, 6471

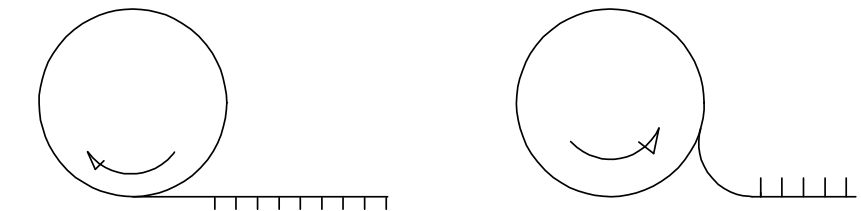
Application Tooling | FAQ

Tooling specifications and manuals are found by selecting the products below. Crimp Height Specifications are then contained in the Application Tooling Specification document.

Global

Description	Product #
Extraction Tool	0011030022
Insertion Tool	0638120000

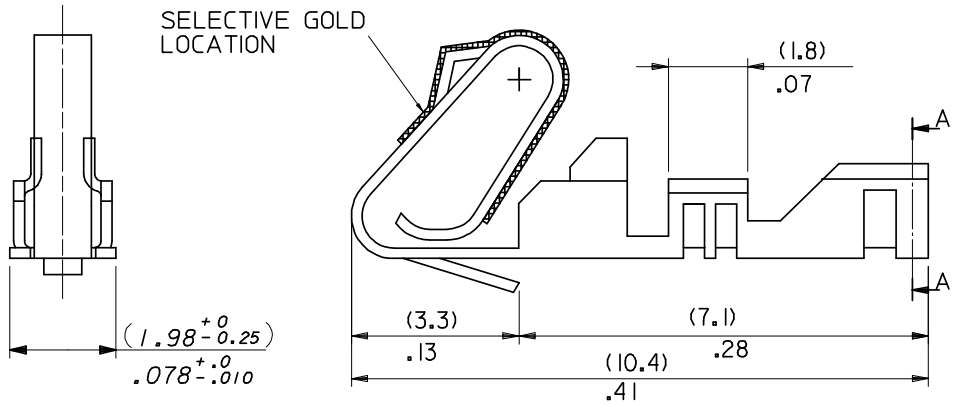
PLEASE CHECK WWW.MOLEX.COM FOR LATEST PART INFORMATION



'A' WINDING REEL
PER ES 339

'B' WINDING REEL
PER ES 339

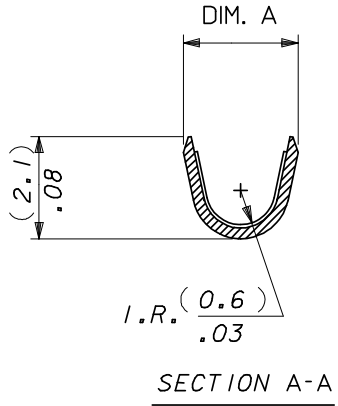
FINISH NOTES:
 (999) - UNPLATED
 (P902) - HOT TIN (1.0 - 2.5um) 0.000040" - 0.000100"
 (102) - OVERALL ELECTRO TIN (5.0um) 0.00020" MIN OVERALL COPPER (3.0um) 0.00013" MIN
 (555) - SELECTIVE GOLD (0.38um) 0.000015" MIN OVERALL NICKEL (0.75um) 0.000030" MIN



08-55-0112	4809C-(555)M	CHAIN	(555)	(2.2)/.087 REF
08-50-0030	4809C-(P902)M	CHAIN	(P902)	(2.2)/.087 REF
08-50-0031	4809C-(P902)	CHAIN	(P902)	(2.1)/.083 REF
08-50-0032	4809C-(P902)L	LOOSE	(P902)	(2.1)/.083 REF
97-00-0450	4809C-(999)	CHAIN	(999)	(2.1)/.083 REF
97-00-0451	4809C-(999)L	LOOSE	(999)	(2.1)/.083 REF
PART No	ENG No	FORM	SEE FINISH NOTES	DIM . A
'B' WINDING PER E.S. 339 (CHAIN ONLY)				

97-00-0001	4809C-(P902)BF	CHAIN	(P902)	(2.1)/.083 REF
PART No	ENG No	FORM	SEE FINISH NOTES	DIM . A
'A' WINDING PER E.S. 339				

- NOTES:
1. SAME AS SD-4809-* EXCEPT WITH CAT EARS.
 2. FOR 22-30 GAUGE WIRE & (1.57)/.062 DIA. INSULATION MAX.
 3. THIS PART CONFORMS TO MOLEX PRODUCT SPEC. PS-99020-0088.
 4. MATERIAL (0.20 ±0.01)/.008 ±.0004 THICK BRASS, ALLOY: 260 TENSILE: 85-95M PSI



ADDED END VIEW EC NO: E2007-0218 DRWN: JDENNEY 2006/09/15 CHKD: DMORLARTY 2006/09/15 APPR: JDENNEY 2006/10/11	DESCRIPTION REV K	QUALITY SYMBOLS	GENERAL TOLERANCES (UNLESS SPECIFIED)	DIMENSION STYLE	SCALE	DESIGN UNITS	THIRD ANGLE PROJECTION																											
		$\nabla = 0$ $\sphericalangle = 0$	<table border="1"> <tr> <th></th> <th>mm</th> <th>INCH</th> </tr> <tr> <td>4 PLACES</td> <td>± ---</td> <td>± ---</td> </tr> <tr> <td>3 PLACES</td> <td>± ---</td> <td>± .010</td> </tr> <tr> <td>2 PLACES</td> <td>± 0.25</td> <td>± .020</td> </tr> <tr> <td>1 PLACE</td> <td>± 0.51</td> <td>± ---</td> </tr> </table>		mm	INCH	4 PLACES	± ---	± ---	3 PLACES	± ---	± .010	2 PLACES	± 0.25	± .020	1 PLACE	± 0.51	± ---	<table border="1"> <tr> <th>MM/IN</th> <th>DATE</th> </tr> <tr> <td>DRAWN BY</td> <td>AOD 1999/02/20</td> </tr> <tr> <td>CHECKED BY</td> <td>DMORLARTY 2004/10/18</td> </tr> <tr> <td>APPROVED BY</td> <td>JDENNEY 2004/10/19</td> </tr> </table>	MM/IN	DATE	DRAWN BY	AOD 1999/02/20	CHECKED BY	DMORLARTY 2004/10/18	APPROVED BY	JDENNEY 2004/10/19	<table border="1"> <tr> <th>TITLE</th> <th>DOCUMENT NO.</th> <th>SHEET NO.</th> </tr> <tr> <td>ANTI FISH HOOKING TERMINAL KK,(2.50)/.100 WITH CAT EARS</td> <td>SD-4809C-(***)*</td> <td>1 OF 1</td> </tr> </table>	TITLE	DOCUMENT NO.	SHEET NO.	ANTI FISH HOOKING TERMINAL KK,(2.50)/.100 WITH CAT EARS	SD-4809C-(***)*	1 OF 1
			mm	INCH																														
		4 PLACES	± ---	± ---																														
3 PLACES	± ---	± .010																																
2 PLACES	± 0.25	± .020																																
1 PLACE	± 0.51	± ---																																
MM/IN	DATE																																	
DRAWN BY	AOD 1999/02/20																																	
CHECKED BY	DMORLARTY 2004/10/18																																	
APPROVED BY	JDENNEY 2004/10/19																																	
TITLE	DOCUMENT NO.	SHEET NO.																																
ANTI FISH HOOKING TERMINAL KK,(2.50)/.100 WITH CAT EARS	SD-4809C-(***)*	1 OF 1																																
	ANGULAR ± --- °	SEE CHART																																
	DRAFT WHERE APPLICABLE MUST REMAIN WITHIN DIMENSIONS	THIS DRAWING CONTAINS INFORMATION THAT IS PROPRIETARY TO MOLEX INCORPORATED AND SHOULD NOT BE USED WITHOUT WRITTEN PERMISSION																																