

**PLEASE CHECK WWW.MOLEX.COM FOR LATEST PART INFORMATION**

**Part Number:** [0190700131](#)  
**Status:** **Active**  
**Description:** InsulKrimp™ Ring Tongue Terminal for 10-12 AWG Wire, Stud Size 10, Length 31.60mm (1.243"), Mylar Tape Carrier

**Documents:**

[Drawing \(PDF\)](#) [RoHS Certificate of Compliance \(PDF\)](#)  
[Product Specification PS-19902-009 \(PDF\)](#)

**Agency Certification**

CSA LR18689  
 UL E32244

**General**

Product Family Ring and Spade Terminals  
 Series [19070](#)  
 Crimp Quality Equipment Yes  
 Mil-Spec N/A  
 Product Name InsulKrimp™  
 Type Ring

**Physical**

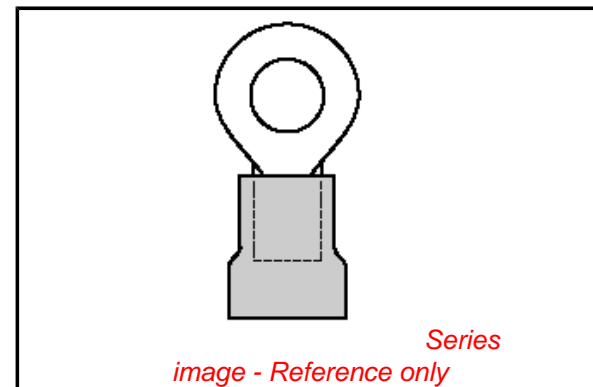
Barrel Type Closed  
 Color - Resin Natural  
 Flammability 94V-2  
 Insulation PVC  
 Material - Plating Mating Tin  
 Packaging Type Adhesive Tape on Reel  
 Plating min: Mating (µin) 100  
 Plating min: Mating (µm) 2.5  
 Plating min: Termination (µin) 100  
 Plating min: Termination (µm) 2.5  
 Stud Size 10 (M5)  
 Wire Insulation Diameter 6.40mm (.250") max.  
 Wire Size AWG 10, 12  
 Wire Size mm² 0.40 - 0.60

**Material Info**

Old Part Number C-230-10XT

**Reference - Drawing Numbers**

Product Specification PS-19902-009  
 Sales Drawing CCD20101



**EU RoHS**

**ELV and RoHS Compliant**  
**REACH SVHC**  
 Not Reviewed  
**Halogen-Free Status**  
**Not Reviewed**

**China RoHS**



**Need more information on product environmental compliance?**

Email [productcompliance@molex.com](mailto:productcompliance@molex.com)  
 For a multiple part number RoHS Certificate of Compliance, [click here](#)

Please visit the [Contact Us](#) section for any non-product compliance questions.

**Search Parts in this Series**

[19070Series](#)

**Application Tooling | [FAQ](#)**

*Tooling specifications and manuals are found by selecting the products below. Crimp Height Specifications are then contained in the Application Tooling Specification document.*

**Global**

Description	Product #
Crimp Dies for MTA-100 Tape Applicator used in 3BF Press, MTA-105 Tape Applicator used in TM-2000™ Press, and ATP-301 Air Crimping Press for Mylar Tape Mounted Terminals	<a href="#">0192880179</a>
Mini-Mac™ Applicator	<a href="#">0638851500</a>

This document was generated on 03/18/2010

**PLEASE CHECK [WWW.MOLEX.COM](http://WWW.MOLEX.COM) FOR LATEST PART INFORMATION**

NOTES:  $\pm .001$

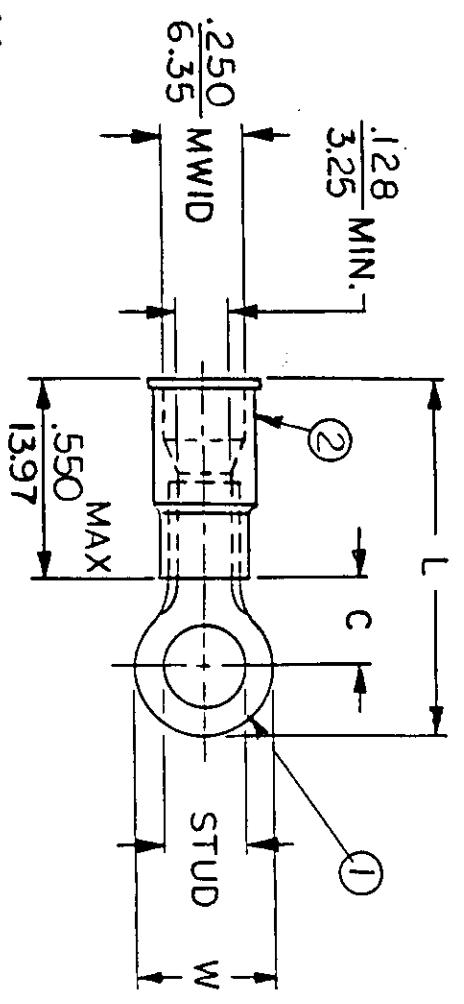
- ① MAT'L: COPPER(STOCK TKN.  $\frac{040}{1.02}$ )
- PLATING: ELECTRO-TIN (.0003 MIN.)
- ② INSULATION: MOLDED PVC (YELLOW)

STUD SIZES: ( $\pm .005$ )

02 = .094	209 = 209
04 = .119	413 = 413
06 = .146	
08 = .173	
10 = .198	
14 = .265	
56 = .328	
38 = .390	
76 = .453	
12 = .515	

"UL" LISTING # E32244  
 "CSA" LISTING # 18689

ALL DIMENSIONS =  $\frac{\text{INCHES}}{\text{MM}}$



MWID = MAXIMUM WIRE  
 INSULATION DIAMETER  
 WIRE SIZE: 12-10 AWG  
 40-60 MM<sup>2</sup>

PART NUMBER	"W" ±.010	"C" MIN.	"L" MAX.	AVAILABLE STUD SIZES
C-201-	$\frac{.750}{19.05}$	$\frac{.611}{15.52}$	$\frac{1.571}{39.90}$	14X, 56X, 38X, 76X, 12X
C-228-	$\frac{.375}{9.53}$	$\frac{.303}{7.70}$	$\frac{1.076}{27.33}$	04X, 06X, 08X, 10X, 209X
C-230-	$\frac{.530}{13.46}$	$\frac{.393}{9.98}$	$\frac{1.243}{31.57}$	10X, 14X, 56X, 38X
C-236-	$\frac{.282}{7.16}$	$\frac{.306}{7.77}$	$\frac{1.032}{26.21}$	04X, 06X, 08X
C-240-	$\frac{.592}{15.04}$	$\frac{.466}{11.84}$	$\frac{1.347}{34.21}$	10X, 14X, 56X, 38X, 209X, 413X

DIMENSIONAL TOLERANCES UNLESS OTHERWISE SPECIFIED		REFERENCE	SCALE:	NTS	DATE	TITLE:
FRAC.	DEC.	ANG.	DRWN. BY:	JJ	10-31-84	RING TONGUE TERMINAL
±	±	±	CHKD. BY:	GZ	11-26-84	INSULKRIMP 200-SERIES
			APPRD. BY:			

FILE NO. C-CD-201-01



DWG. NO. A CUSTOMER DWG.