

PLEASE CHECK WWW.MOLEX.COM FOR LATEST PART INFORMATION

Part Number: [0511020500](#)
Status: **Active**
Overview: [minilock](#)
Description: 2.50mm (.098") Pitch Mini-Lock™ Wire-to-Board Housing, Friction Lock, 5 Circuits

Documents:

[3D Model](#) [Product Specification PS-51102-002 \(PDF\)](#)
[Drawing \(PDF\)](#) [RoHS Certificate of Compliance \(PDF\)](#)

General

Product Family Crimp Housings
 Series [51102](#)
 Overview [minilock](#)
 Product Name Mini-Lock™

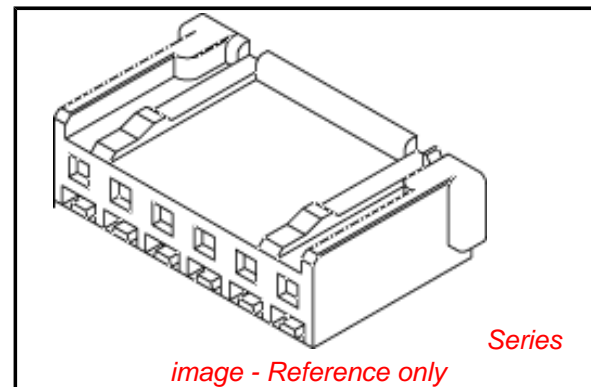
Physical

Circuits (maximum) 5
 Color - Resin Natural
 Gender Female
 Glow-Wire Compliant No
 Lock to Mating Part Yes
 Material - Resin Polyester
 Number of Rows 1
 Packaging Type Bag
 Panel Mount No
 Pitch - Mating Interface (in) 0.098 In
 Pitch - Mating Interface (mm) 2.50 mm
 Stackable No
 Temperature Range - Operating -40°C to +105°C

Material Info

Reference - Drawing Numbers

Packaging Specification SPK-51102-001
 Product Specification PS-51102-002, RPS-51103-049, RPS-51103-057
 Sales Drawing SD-51102-**00



EU RoHS

**ELV and RoHS
 Compliant**
REACH SVHC
 Not Reviewed
**Halogen-Free
 Status**

China RoHS



**Need more information on product
 environmental compliance?**

Email productcompliance@molex.com
 For a multiple part number RoHS Certificate of
 Compliance, [click here](#)

Please visit the [Contact Us](#) section for any
 non-product compliance questions.

Search Parts in this Series

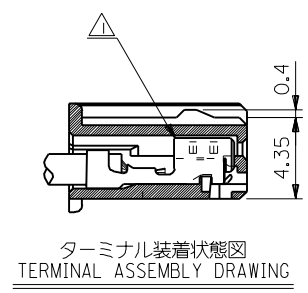
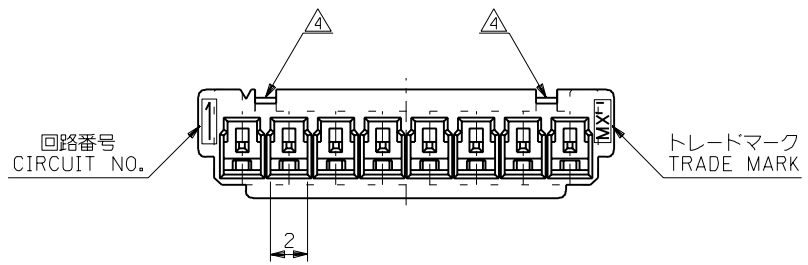
[51102Series](#)

Mates With

[53375](#) , [53426](#)

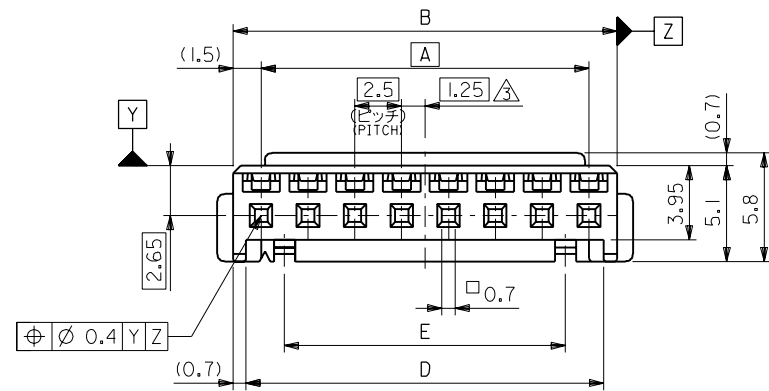
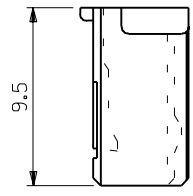
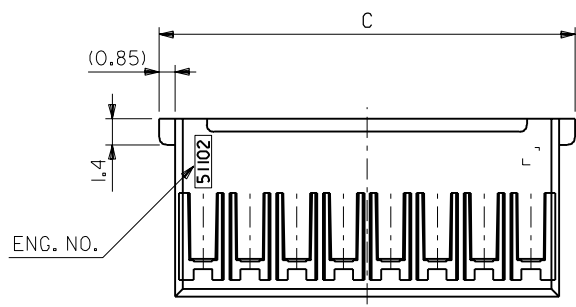
Use With

[50351](#)



注記 NOTES

- △ 適合ターミナル：5035I-8*00
APPLICABLE TERMINAL：5035I-8*00
- 2. 嵌合相手：53375,53376,53388,53389,53426
53535 シリーズ
MATE WITH：53375,53376,53388,53389,53426
53535 SEIRES
- △ 偶数極の製品に適用。
APPLY EVEN CIRCUIT PRODUCTS.
- △ ロックの数 NUMBER OF LOCKS
5極以下：1個
LESS THAN 5 CIRCUIT PRODUCTS：1 PIECE
6極以上：2個
MORE THAN 6 CIRCUIT PRODUCTS：2 PIECES



| | | | | | | |
|------|------|------|------|------|------------|----------------------|
| 32.5 | 36.6 | 39.7 | 38 | 35 | 51102-1500 | 15 |
| 30 | 34.1 | 37.2 | 35.5 | 32.5 | ↑ -1400 | 14 |
| 27.5 | 31.6 | 34.7 | 33 | 30 | -1300 | 13 |
| 25 | 29.1 | 32.2 | 30.5 | 27.5 | -1200 | 12 |
| 22.5 | 26.6 | 29.7 | 28 | 25 | -1100 | 11 |
| 20 | 24.1 | 27.2 | 25.5 | 22.5 | -1000 | 10 |
| 17.5 | 21.6 | 24.7 | 23 | 20 | -0900 | 9 |
| 15 | 19.1 | 22.2 | 20.5 | 17.5 | -0800 | 8 |
| 12.5 | 16.6 | 19.7 | 18 | 15 | -0700 | 7 |
| 10 | 14.1 | 17.2 | 15.5 | 12.5 | -0600 | 6 |
| — | 11.6 | 14.7 | 13 | 10 | -0500 | 5 |
| — | 9.1 | 12.2 | 10.5 | 7.5 | -0400 | 4 |
| — | 6.6 | 9.7 | 8 | 5 | ↓ -0300 | 3 |
| — | 4.1 | 7.2 | 5.5 | 2.5 | 51102-0200 | 2 |
| E | D | C | B | A | ENG. NO. | 極数 NO. OF CKT. |

| 角度 ANGLE | 公差 TOLERANCES | 記号 LTR | 変更内容 REVISION RECORD | DR. CHK. | 日付 DATE |
|-----------------|---------------|--------|------------------------|----------|-----------|
| ±3° | | C | 変更 REVISD (J50376) | K.T. S.K | '95/5/23 |
| 30以上 OVER | +0.3 | B | 変更 REVISD (J30011) | K.T. H.H | '93/1/19 |
| 10以上 30未満 UNDER | +0.25 | A | 変更 REVISD (J20981) | K.T. H.H | '92/10/21 |
| 10未満 UNDER | +0.2 | O | 新規作成 PROPOSED (J20669) | H.H. M.F | '92/7/29 |

| | | |
|-------------------|--------------------------|---|
| 材料 MATERIAL | PBTP, UL94V-0 (白色 WHITE) | モレックス MOLEX-JAPAN CO.,LTD. 日本モレックス株式会社 |
| 仕上げ FINISH | — | REVISE ONLY ON CAD SYSTEM |
| 適用電線範囲 WIRE RANGE | — | TITLE 名称 |
| 被覆外径 INS. RANGE | — | 2.5 WIRE TO BOARD CONN. HOUSING (FRICTION LOCK) |
| DRAWN BY '92/7/29 | CHK'D BY '95/5/23 | DWG. NO. |
| H.HIRAMOTO | S.KUNISHI | SD-51102-***00 |
| APP'D BY '95/5/23 | 尺度 SCALE 4 - 1 | REV |
| M.FUKUSHIMA | | C |