

**PLEASE CHECK WWW.MOLEX.COM FOR LATEST PART INFORMATION**

**Part Number:** [0511120530](#)  
**Status:** **Active**  
**Description:** 2.50mm (.098") Pitch Wire-to-Wire Plug Housing, With Optional Panel Mount, Panel Mount, 5 Circuits

**Documents:**

[3D Model](#) [Product Specification PS-51111-001 \(PDF\)](#)  
[Drawing \(PDF\)](#) [RoHS Certificate of Compliance \(PDF\)](#)

**Agency Certification**

CSA LR19980  
 UL E29179

**General**

Product Family Crimp Housings  
 Series [51112](#)  
 Product Name N/A

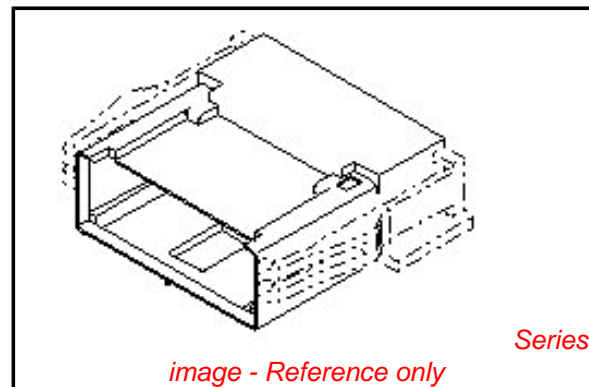
**Physical**

Circuits (maximum) 5  
 Color - Resin Natural  
 Flammability 94V-0  
 Gender Male  
 Glow-Wire Compliant No  
 Material - Resin Polyester  
 Number of Rows 1  
 Packaging Type Bag  
 Panel Mount Yes  
 Pitch - Mating Interface (in) 0.098 In  
 Pitch - Mating Interface (mm) 2.50 mm  
 Stackable No  
 Temperature Range - Operating -40°C to +105°C

**Material Info**

**Reference - Drawing Numbers**

Product Specification PS-51111-001  
 Sales Drawing SD-51112-005



**EU RoHS**

**ELV and RoHS  
 Compliant**  
**REACH SVHC  
 Contains SVHC: No**  
**Halogen-Free  
 Status**  
**Not Reviewed**

**China RoHS**



**Need more information on product  
 environmental compliance?**

Email [productcompliance@molex.com](mailto:productcompliance@molex.com)  
 For a multiple part number RoHS Certificate of  
 Compliance, [click here](#)

Please visit the [Contact Us](#) section for any  
 non-product compliance questions.

**Search Parts in this Series**

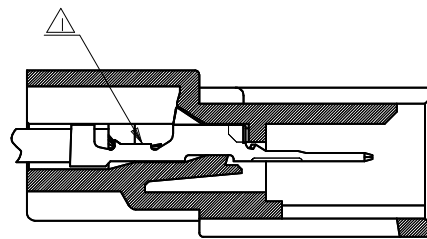
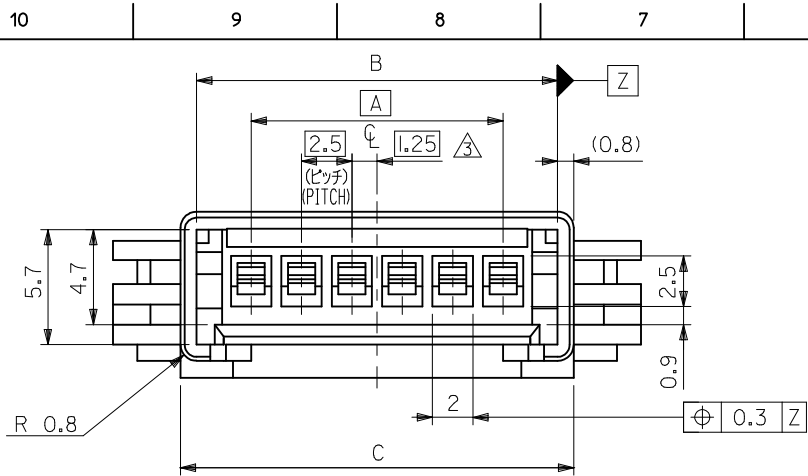
[51112Series](#)

**Mates With**

[51111](#) , [51111wr](#)

**Use With**

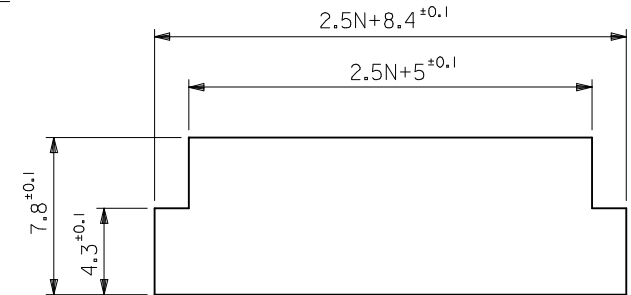
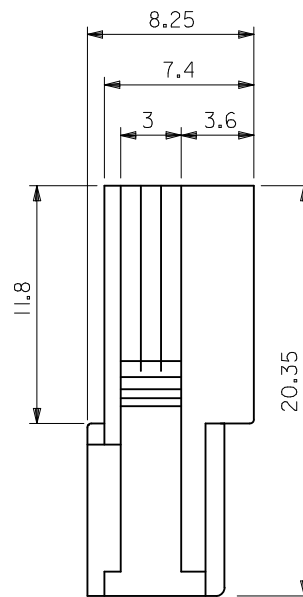
[50398](#)



ターミナル装着状態図  
TERMINAL ASSEMBLY DRAWING

注記 NOTES

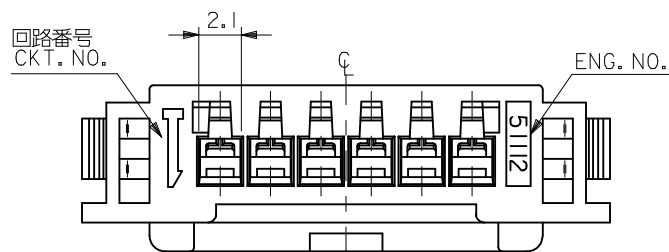
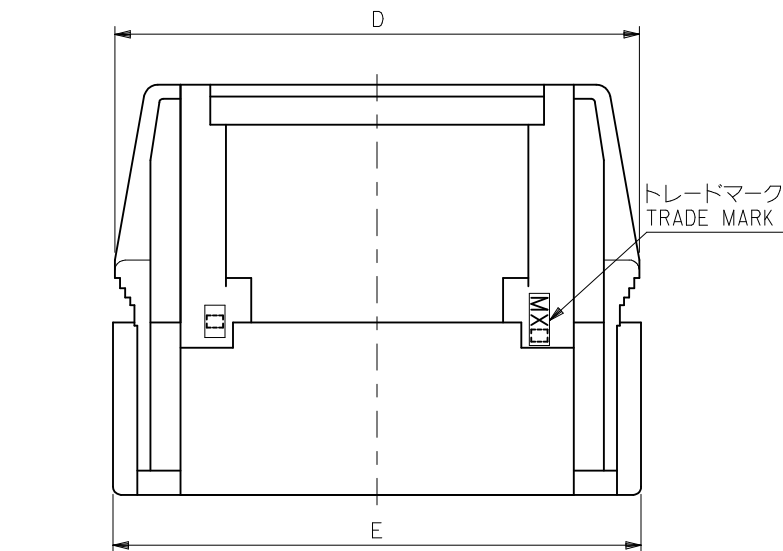
- △ 適合ターミナル：50398シリーズ  
APPLICABLE TERMINAL：50398 SERIES
- 2. 嵌合相手：51111シリーズ  
MATE WITH：51111 SERIES
- △ 偶数極の製品に適用。  
APPLY EVEN CIRCUIT PRODUCTS.
- 4. ハウジングは、パネル打ち抜き側から挿入すること。  
INSERT HOUSING FROM PUNCH SIDE OF PANEL.



参考パネルスロット寸法  
(パネル厚：0.8~2)

PANEL SLOT DIM. (REF.)  
(THICKNESS：0.8 - 2)

48.7	48.5	42	40.4	35	51112-1530	15
43.7	43.5	37	35.4	30	-1330	13
41.2	41	34.5	32.9	27.5	-1230	12
38.7	38.5	32	30.4	25	-1130	11
36.2	36	29.5	27.9	22.5	-1030	10
33.7	33.5	27	25.4	20	-0930	9
31.2	31	24.5	22.9	17.5	-0830	8
28.7	28.5	22	20.4	15	-0730	7
26.2	26	19.5	17.9	12.5	-0630	6
23.7	23.5	17	15.4	10	-0530	5
21.2	21	14.5	12.9	7.5	-0430	4
18.7	18.5	12	10.4	5	-0330	3
16.2	16	9.5	7.9	2.5	51112-0230	2
E	D	C	B	A	ENG. NO.	極数 NO. OF CKT.



材料  
MATERIAL PBTP, UL94V-0  
(白色 WHITE)

REVISED EC NO: J2009-1394 DRWN: YOSHIDAM 2008/12/18 CHKD: THARUYAMA 2008/12/18 APPR: NUKITA 2009/01/15	GENERAL TOLERANCES (UNLESS SPECIFIED)		DIMENSION STYLE MM ONLY	SCALE 4:1	DESIGN UNITS METRIC	THIRD ANGLE PROJECTION
	10 UNDER	±0.2	DRAWN BY K. TOJO	DATE '93/09/07	TITLE 2.5 W/W CONN PLUG HSG FOR PANEL MOUNT	
	10 OVER 30 UNDER	±0.25	CHECKED BY S. KUNISHI	DATE '94/06/22	MOLEX INCORPORATED	
	30 OVER	±0.3	APPROVED BY M. FUKUSHIMA	DATE '94/06/22	DOCUMENT NO. SD-5112-005	SHEET NO. 1 OF 1
	ANGULAR ±3 °	DRAFT WHERE APPLICABLE MUST REMAIN WITHIN DIMENSIONS	SIZE A3	THIS DRAWING CONTAINS INFORMATION THAT IS PROPRIETARY TO MOLEX INCORPORATED AND SHOULD NOT BE USED WITHOUT WRITTEN PERMISSION		