

PLEASE CHECK WWW.MOLEX.COM FOR LATEST PART INFORMATION

Part Number: [0008520105](#)
Status: **Active**
Overview: [kk](#)
Description: KK® Cat Ear Crimp Terminal 8088, 22-30 AWG, Tin, Reel

Documents:

[Drawing \(PDF\)](#) [RoHS Certificate of Compliance \(PDF\)](#)
[Product Specification PS-99020-0088 \(PDF\)](#)

General

Product Family	Crimp Terminals
Series	8088
Crimp Quality Equipment	Yes
Overview	kk
Product Name	Cat Ear, KK®

Physical

Gender	Female
Material - Metal	Phosphor Bronze
Material - Plating Mating	Tin
Material - Plating Termination	Tin
Packaging Type	Reel
Plating min: Mating (µin)	40
Plating min: Mating (µm)	1
Plating min: Termination (µin)	40
Plating min: Termination (µm)	1
Wire Insulation Diameter	1.57mm (.062") max.
Wire Size AWG	22, 24, 26, 28, 30
Wire Size mm²	N/A

Solder Process Data

Lead-free Process Capability Wave Capable (TH only)

Material Info

Old Part Number 8088CP914

Reference - Drawing Numbers

Product Specification [PS-99020-0088](#)
 Sales Drawing [SD-8088C-\(***\)*](#)

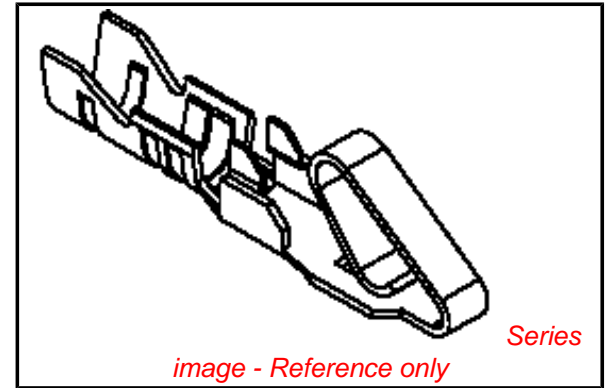


image - Reference only

EU RoHS

**ELV and RoHS
Compliant**
**REACH SVHC
Contains SVHC: No**
**Halogen-Free
Status**

China RoHS



**Need more information on product
environmental compliance?**

Email productcompliance@molex.com
 For a multiple part number RoHS Certificate of Compliance, [click here](#)

Please visit the [Contact Us](#) section for any non-product compliance questions.

Search Parts in this Series

[8088Series](#)

Use With

[2695](#) , [5051](#) , [6471](#)

Application Tooling | FAQ

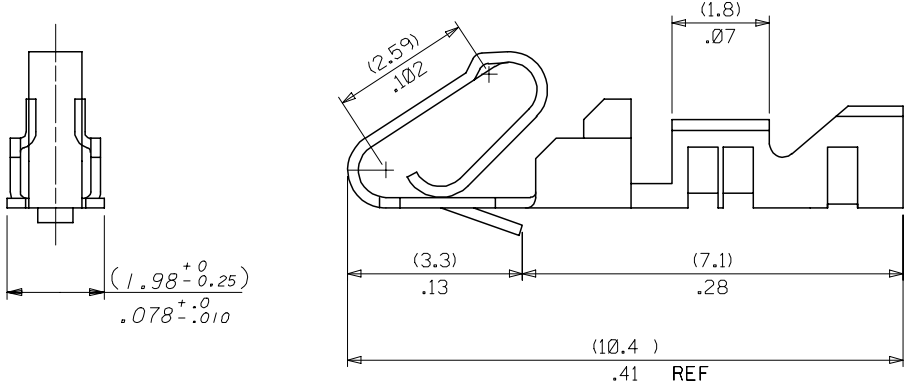
Tooling specifications and manuals are found by selecting the products below. Crimp Height Specifications are then contained in the Application Tooling Specification document.

Global

Description	Product #
Terminator Die	0011402102
Mini-Mac™ for KK®	0638887000
Cat Ear and Anti Fish Hook Crimp Terminals, 22-30 AWG	

PLEASE CHECK WWW.MOLEX.COM FOR LATEST PART INFORMATION

PART No.	ENG No.	FORM	SEE FINISH NOTES
40-07-0813	8088C-(999)L	LOOSE	(999)
40-07-0812	8088C-(999)	CHAIN	(999)
08-52-0106	8088C-(P902)L	LOOSE	(P902)
08-52-0105	8088C-(P902)	CHAIN	(P902)
08-52-0108	8088C-(102)L	LOOSE	(102)
08-52-0107	8088C-(102)	CHAIN	(102)



FINISH NOTES:
 (999) - UNPLATED
 (P902) - HOT TIN DIP (1.0-2.5um)
 .00004-.00010
 (102) - ELECTRO TIN PLATE (0.005)/.0002 MIN OVER
 (0.003)/.00013 MIN COPPER (POST PLATE)

- NOTES:
1. SAME AS SD-8088-(***)* EXCEPT CAT EARS
 2. FOR 22-30 AWG. WIRE, (1.57)/.062 MAX DIA INSULATION.
 3. MATERIAL; (0.20±0.01)/.008±.0004 THICK PHOS BRONZE ALLOY 510 TENSILE: 88 - 103M PSI
 4. THIS PART CONFORMS TO PROD.SPEC.99020-0088

ADDED END VIEW EC NO: E2007-0218 DRWN: DENNEHY 2006/09/15 CHKD: MORIARTY 2006/09/15 APPR: DENNEHY 2006/10/11	QUALITY SYMBOLS ▽=0 ◻=0	GENERAL TOLERANCES (UNLESS SPECIFIED)		DIMENSION STYLE MM ONLY		SCALE 10:1	DESIGN UNITS METRIC	THIRD ANGLE PROJECTION		
			mm	INCH	DRAWN BY T. MAHON	DATE 1998/10/26	TITLE TERMINAL - ANTI FISH HOOKING KK .100 CTR REF WITH CAT EARS			
		4 PLACES	± ---	± ---	CHECKED BY D. MORIARTY	DATE 2006/09/14				
		3 PLACES	± ---	± .010	APPROVED BY JDENNEHY		DATE 2006/09/14	MOLEX INCORPORATED		
2 PLACES	± 0.25	± .020	MATERIAL NO.		DOCUMENT NO.	SHEET NO.				
1 PLACE	± 0.51	± ---	DRAFT WHERE APPLICABLE MUST REMAIN WITHIN DIMENSIONS		SEE CHART	SD-8088C-(***)*				
				SIZE A3		THIS DRAWING CONTAINS INFORMATION THAT IS PROPRIETARY TO MOLEX INCORPORATED AND SHOULD NOT BE USED WITHOUT WRITTEN PERMISSION				