

**PLEASE CHECK WWW.MOLEX.COM FOR LATEST PART INFORMATION**

**Part Number:** [0885262202](#)  
**Status:** **Active**  
**Description:** LC-to-ST, Multimode, 62.5/125µm, Duplex, 2.00mm (.079"), Standard Fiber Optic Cable Assembly, 3.0m (9.84' )

**Documents:**

[Drawing \(PDF\)](#) [RoHS Certificate of Compliance \(PDF\)](#)

**General**

Product Family	Fiber Optic Assemblies
Series	88526
Connector to Connector	LC-to-ST
Mode	Multimode
Obsolete Date	2003/01/01
Product Name	LC, ST

**Physical**

Cable Length	3.0m (9.84' )
Cable Size	2.00mm (.079")
Fiber (Core/Cladding)	62.5/125µm
Single Ended	No
Wire/Cable Type	Duplex

**Material Info**

**Reference - Drawing Numbers**

Sales Drawing	SD-88526-018
---------------	--------------

**EU RoHS**  
**ELV and RoHS**  
**Compliant**  
**REACH SVHC**  
**Not Reviewed**  
**Halogen-Free**  
**Status**  
**Not Reviewed**

**China RoHS**



**Need more information on product environmental compliance?**

Email [productcompliance@molex.com](mailto:productcompliance@molex.com)  
For a multiple part number RoHS Certificate of Compliance, [click here](#)

Please visit the [Contact Us](#) section for any non-product compliance questions.

**Search Parts in this Series**  
[88526Series](#)

E

D

C

B

A

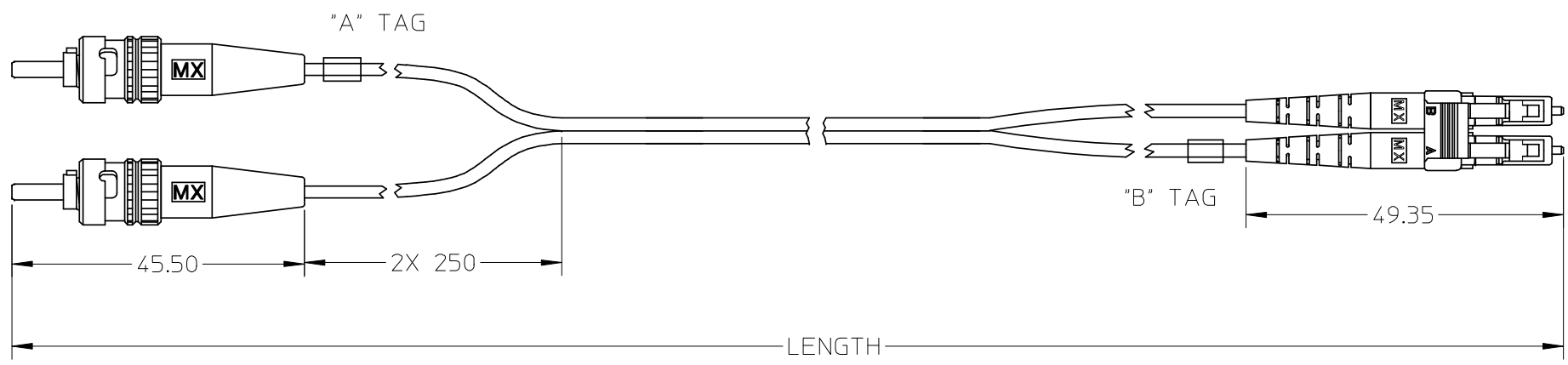
E

D

C

B

A



885262204	ST-LC DUP MM 62.5/125 2MM 10M	10000(+200/-0)
885262203	ST-LC DUP MM 62.5/125 2MM 5M	5000(+200/-0)
885262202	ST-LC DUP MM 62.5/125 2MM 3M	3000(+200/-0)
885262201	ST-LC DUP MM 62.5/125 2MM 2M	2000(+200/-0)
885262200	ST-LC DUP MM 62.5/125 2MM 1M	1000(+100/-0)
MX P/N	DESCRIPTION	LENGTH

NOTES:  
 1. DUST CAPS ARE NOT SHOWN  
 2. PER CHANNEL @ 850nm  
 IL <= 0.5dB

ENTER DESCRIPTION  
 EC NO: DG2009-0023  
 DRWN: XPCHEN  
 CHKD:  
 APPR: JOWANG

2008/08/04  
 2008/08/04  
 2008/08/04

DESCRIPTION  
 REV

QUALITY SYMBOLS

GENERAL TOLERANCES (UNLESS SPECIFIED)

	mm	INCH
4 PLACES	± ---	± ---
3 PLACES	± ---	± ---
2 PLACES	± ---	± ---
1 PLACE	± ---	± ---
ANGULAR ± ---°		

DRAFT WHERE APPLICABLE  
 MUST REMAIN  
 WITHIN DIMENSIONS

DIMENSION STYLE  
**MM ONLY**

DRAWN BY: XP  
 DATE: 2008/07/25

CHECKED BY: LISA  
 DATE: 2008/07/25

APPROVED BY: JOHNNY  
 DATE: 2008/07/25

MATERIAL NO.  
**SEE TABLE**

SIZE  
**A 4**

SCALE: ---  
 DESIGN UNITS: METRIC

THIRD ANGLE PROJECTION

TITLE: ST-LC DUP MM 62.5 2MM

MOLEX INCORPORATED

DOCUMENT NO.: SD-88526-018  
 SHEET NO.: 1 OF 1

THIS DRAWING CONTAINS INFORMATION THAT IS PROPRIETARY TO MOLEX INCORPORATED AND SHOULD NOT BE USED WITHOUT WRITTEN PERMISSION