

PLEASE CHECK WWW.MOLEX.COM FOR LATEST PART INFORMATION

Part Number: [0194360212](#)
Status: **Active**
Overview: [mx150l sealed connector system](#)
Description: MX150L™ 2 Circuit Rear Mount Flange Sealed Panel Mount Plug for 8 AWG Wire, without Gasket

Documents:

[3D Model](#) [Product Specification PS-19432-001 \(PDF\)](#)
[Drawing \(PDF\)](#) [RoHS Certificate of Compliance \(PDF\)](#)

General

Product Family	Crimp Housings
Series	19436
Comments	Mat Seal Color Red, Polarized to Mating Part
Overview	mx150l sealed connector system
Product Literature Order No	987650-2181
Product Name	MX150L™

Physical

Circuits (maximum)	2
Circuits Detail	1x1
Gender	Plug
Glow-Wire Compliant	No
Keying to Mating Part	N/A
Lock to Mating Part	Yes
Number of Rows	1
Packaging Type	Bag
Panel Mount	Yes
Pitch - Mating Interface (in)	0.300 In
Pitch - Mating Interface (mm)	7.62 mm
Pitch - Term. Interface (in)	0.300 In
Pitch - Term. Interface (mm)	7.62 mm
Polarized to Mating Part	No
Ports	1
Stackable	No
Temperature Range - Operating	-40°C to +125°C

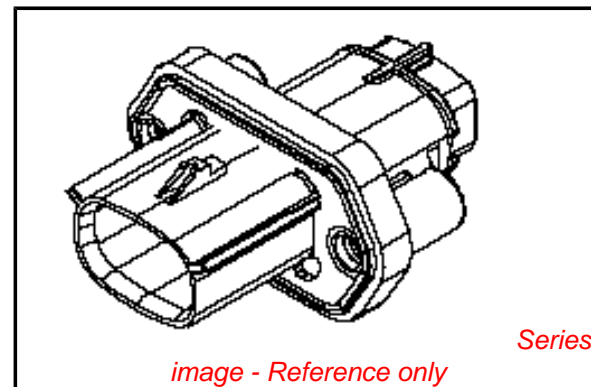
Electrical

Current - Maximum per Contact	40A
-------------------------------	-----

Material Info

Reference - Drawing Numbers

Packaging Specification	PK-19436-001
Product Specification	PS-19432-001
Sales Drawing	SD-19436-001



EU RoHS

**ELV and RoHS
Compliant**
**REACH SVHC
Not Reviewed**
**Halogen-Free
Status**

China RoHS



**Need more information on product
environmental compliance?**

Email productcompliance@molex.com
For a multiple part number RoHS Certificate of Compliance, [click here](#)

Please visit the [Contact Us](#) section for any non-product compliance questions.

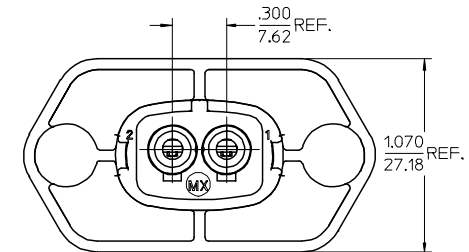
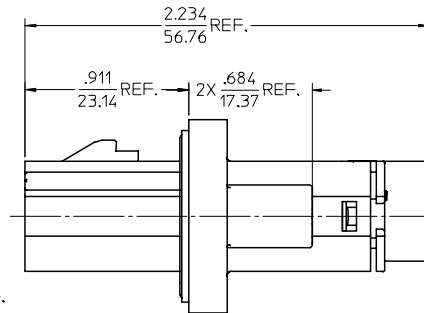
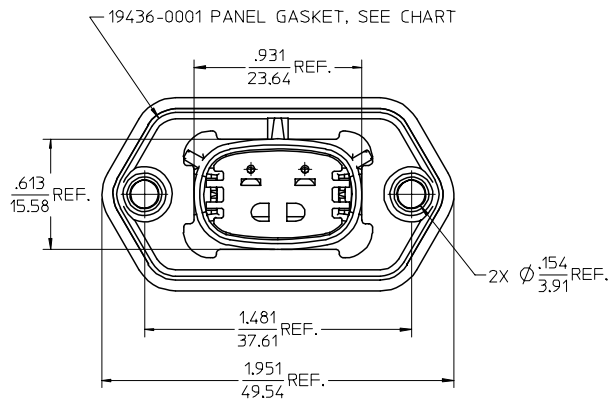
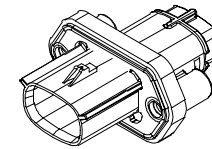
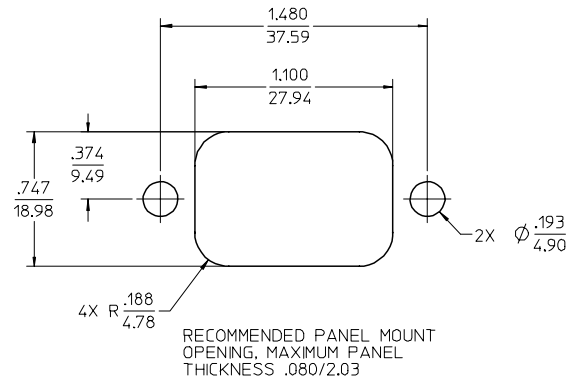
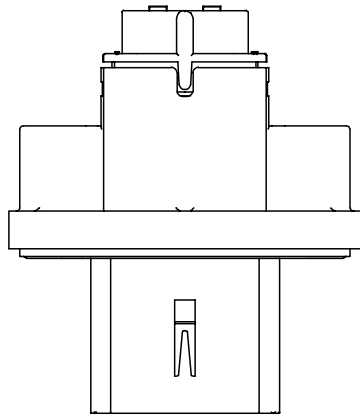
Search Parts in this Series

[19436Series](#)

Mates With

[19432 Receptacle](#)

Use With



NOTES:

- MATERIALS:
HOUSING: POLYESTER (PBT), GLASS FILLED, UL94 V-0,
COLOR: BLACK.
- PRODUCT SPECIFICATION: TBD. (A)
- PACKAGING SPECIFICATION: PK-19436-001.
- USE WITH MALE CRIMP TERMINAL SERIES 19431. (A)
- MATES WITH 19432 SERIES RECEPTACLE ASSEMBLIES. (A)
- RECOMMENDED MOUNTING HARDWARE: (2)#10 X .62/18.9 LONG PLASTIC
THREAD CUTTING SCREWS. RECOMMENDED TORQUE 15-17 IN.-LBS.
SUGGESTED SOURCE: ITW SHAKEPROOF INDUSTRIAL BOSSCREW OR EQUIVALENT.
- ASSEMBLY IS ROHS COMPLIANT.

19436-0214	8	YES
19436-0213	12-10	YES
19436-0212	8	NO
19436-0211	12-10	NO
MATERIAL NUMBER	WIRE AWG	PANEL GASKET

RVSD NOTES 3 & 5. EC NO: ETC2008-0085 DRAWN: JPWLICK 2007/09/21 CHKCD: JPWLICK 2007/09/21 APPR: JPWLICK 2007/09/21	QUALITY SYMBOLS = 0 = 0	GENERAL TOLERANCES (UNLESS SPECIFIED)		DIMENSION STYLE IN/MM		SCALE 2:1	DESIGN UNITS INCH	THIRD ANGLE PROJECTION	
		4 PLACES ± --- ± ---	mm	INCH	DRAWN BY JPWLICK	DATE 01/08/07	TITLE 2 WAY SEALED PLUG PANEL MOUNT ASSEMBLY, 12-10 & 8 AWG		
		3 PLACES ± --- ± .015			CHECKED BY JPWLICK	DATE 01/09/07	MOLEX INCORPORATED		
		2 PLACES ± 0.38 ± ---			APPROVED BY JPWLICK	DATE 01/10/07	MATERIAL NO.	DOCUMENT NO.	SHEET NO.
1 PLACE ± --- ± ---			ANGULAR ± 1 °		SEE CHART		SD-19436-001	1 OF 1	
DRAFT WHERE APPLICABLE MUST REMAIN WITHIN DIMENSIONS				SIZE C		THIS DRAWING CONTAINS INFORMATION THAT IS PROPRIETARY TO MOLEX INCORPORATED AND SHOULD NOT BE USED WITHOUT WRITTEN PERMISSION			