

PLEASE CHECK WWW.MOLEX.COM FOR LATEST PART INFORMATION

Part Number: **0194360214**
Status: **Active**
Overview: mx150l sealed connector system
Description: MX150L™ 2 Circuit Rear Mount Flange Sealed Panel Mount Plug for 8 AWG Wire, with Gasket

Documents:

[3D Model](#) [Product Specification PS-19432-001 \(PDF\)](#)
[Drawing \(PDF\)](#) [RoHS Certificate of Compliance \(PDF\)](#)

General

Product Family	Crimp Housings
Series	<u>19436</u>
Comments	Mat Seal Color Red, Polarized to Mating Part
Overview	<u>mx150l sealed connector system</u>
Product Literature Order No	987650-2181
Product Name	MX150L™

Physical

Circuits (maximum)	2
Circuits Detail	1x1
Gender	Plug
Glow-Wire Compliant	No
Keying to Mating Part	N/A
Lock to Mating Part	Yes
Number of Rows	1
Packaging Type	Bag
Panel Mount	Yes
Pitch - Mating Interface (in)	0.300 In
Pitch - Mating Interface (mm)	7.62 mm
Pitch - Term. Interface (in)	0.300 In
Pitch - Term. Interface (mm)	7.62 mm
Polarized to Mating Part	No
Ports	1
Stackable	No
Temperature Range - Operating	-40°C to +125°C

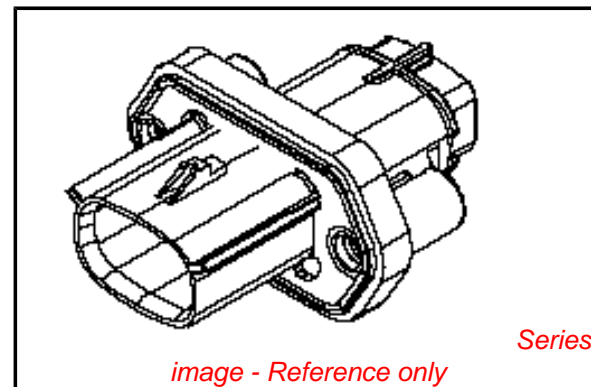
Electrical

Current - Maximum per Contact	40A
-------------------------------	-----

Material Info

Reference - Drawing Numbers

Packaging Specification	PK-19436-001
Product Specification	PS-19432-001
Sales Drawing	SD-19436-001



EU RoHS

**ELV and RoHS
Compliant**
**REACH SVHC
Not Reviewed**
**Halogen-Free
Status**

China RoHS



**Need more information on product
environmental compliance?**

Email productcompliance@molex.com
For a multiple part number RoHS Certificate of Compliance, [click here](#)

Please visit the [Contact Us](#) section for any non-product compliance questions.

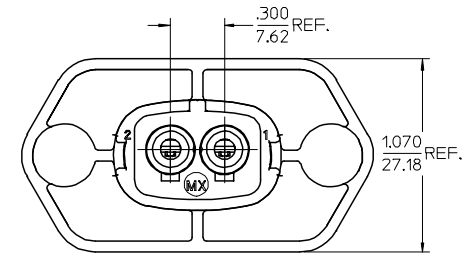
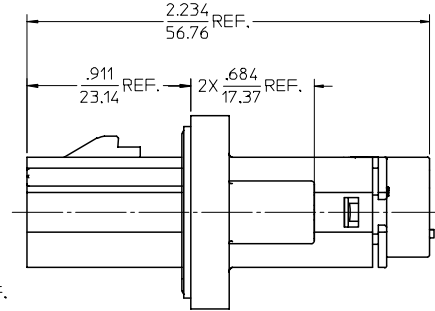
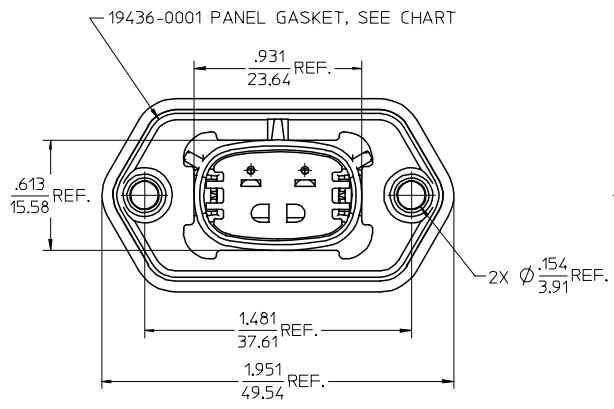
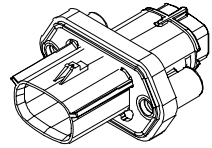
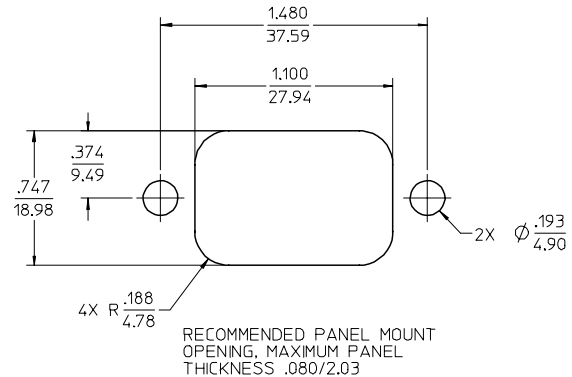
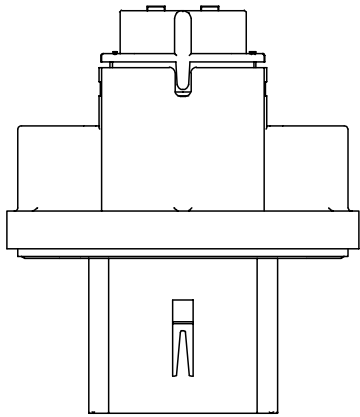
Search Parts in this Series

[19436Series](#)

Mates With

[19432 Receptacle](#)

Use With



19436-0214	8	YES
19436-0213	12-10	YES
19436-0212	8	NO
19436-0211	12-10	NO
MATERIAL NUMBER	WIRE AWG	PANEL GASKET

- NOTES:
- MATERIALS: HOUSING: POLYESTER (PBT), GLASS FILLED, UL94 V-0, COLOR: BLACK.
 - PRODUCT SPECIFICATION: TBD.
 - PACKAGING SPECIFICATION: PK-19436-001.
 - USE WITH MALE CRIMP TERMINAL SERIES 19431.
 - MATES WITH 19432 SERIES RECEPTACLE ASSEMBLIES.
 - RECOMMENDED MOUNTING HARDWARE: (2)#10 X .62/18.9 LONG PLASTIC THREAD CUTTING SCREWS. RECOMMENDED TORQUE 15-17 IN.-LBS. SUGGESTED SOURCE: ITW SHAKEPROOF INDUSTRIAL BOSSCREW OR EQUIVALENT.
 - ASSEMBLY IS ROHS COMPLIANT.

RYSD NOTES 3 & 5. EC NO: ETC2008-0085 DRWN: JPWLCK 2007/09/21 CHKD: JPWLCK 2007/09/21 APPR: JPWLCK 2007/09/21	QUALITY SYMBOLS
	= 0 = 0
	DESCRIPTION
	REV

GENERAL TOLERANCES (UNLESS SPECIFIED)	
	IN/MM
4 PLACES	± .015
3 PLACES	± .015
2 PLACES	± 0.38
1 PLACE	± .015
ANGULAR ± 1 °	
DRAFT WHERE APPLICABLE MUST REMAIN WITHIN DIMENSIONS	

DIMENSION STYLE	
	IN/MM
DRAWN BY	DATE
JPWLCKI	01/08/07
CHECKED BY	DATE
JPWLCKI	01/09/07
APPROVED BY	DATE
JPWLCKI	01/10/07
MATERIAL NO.	
SEE CHART	

SCALE	DESIGN UNITS	THIRD ANGLE PROJECTION
2:1	INCH	
TITLE		
2 WAY SEALED PLUG PANEL MOUNT ASSEMBLY, 12-10 & 8 AWG		
MOLEX INCORPORATED		
MATERIAL NO.	DOCUMENT NO.	SHEET NO.
	SD-19436-001	1 OF 1
THIS DRAWING CONTAINS INFORMATION THAT IS PROPRIETARY TO MOLEX INCORPORATED AND SHOULD NOT BE USED WITHOUT WRITTEN PERMISSION		