






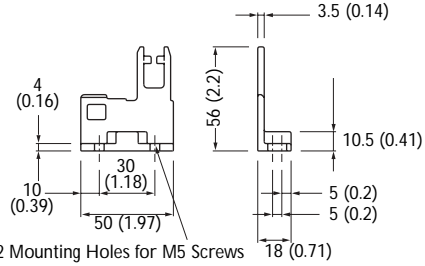

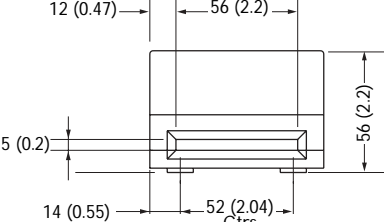

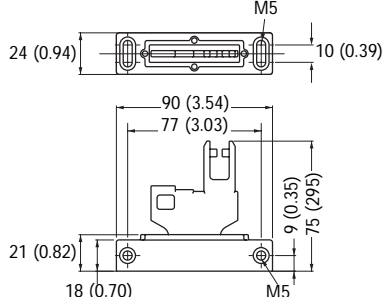


Accessories

440A-A07265...440A-A09197


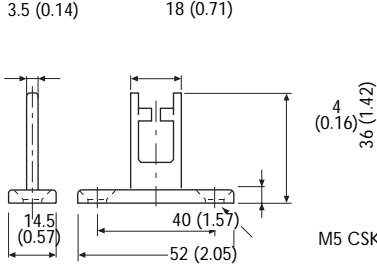

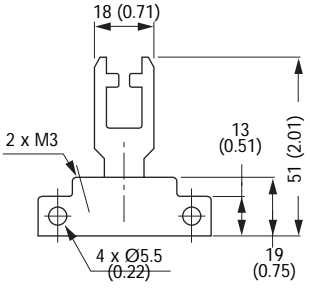

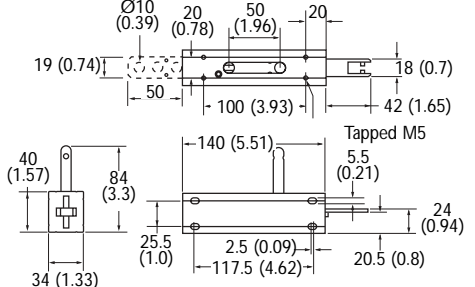


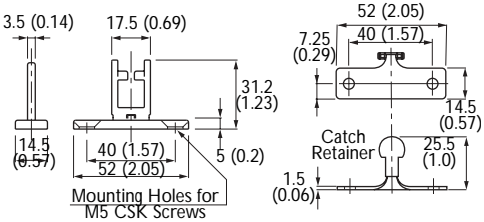

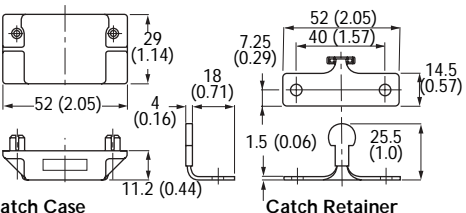
| Item | Description | Catalogue Number |
|-------------------------------------------------------------------------------------|----------------------------------------------------------------------------------------|------------------|
|  | Blanking Plug, M20 Conduit | 440A-A07265 |
|  | Cable Grip, M16 Conduit Accommodates Cable Diameter 4mm (0.16in) to 7mm (0.27in) | 440A-A09004 |
|  | Security Bit | 440A-A09015 |
|  | Screwdriver Including Security Bit | 440A-A09018 |
|  | Cable Grip, Pg16 Conduit Accommodates Cable Diameter 12mm (0.47in) to 14mm (0.55in) | 440A-A09025 |
|  | Cable Grip, M20 Conduit Accommodates Cable Diameter 7mm (0.27in) to 10.5mm (0.41in) | 440A-A09028 |
|  | Adaptor, Conduit, M20 to 1/2in NPT, Plastic | 440A-A09042 |
|  | Bulb, 240V for Conduit Pilot Light 0.75W T-3/4 Bulb, Miniature Screw Base | 440A-A09054 |
|  | Bulb, 110V for Conduit Pilot Light 2.6W T-3/4 Bulb, Miniature Screw Base | 440A-A09055 |
|  | Bulb, 24V for Conduit Pilot Light 2.8W T-3/4 Bulb, Miniature Screw Base | 440A-A09056 |
|  | Adaptor, Conduit, 1/2in NPT to M16, Brass | 440A-A09093 |
|  | Adaptor, Conduit, M16 to 1/2in NPT, Brass | 440A-A09094 |
|  | Fuse, 250mA Bussmann Catalogue Number ETF-250mA | 440A-A09196 |
|  | Fuse, 2A Bussmann Catalogue Number ETF-2 | 440A-A09197 |

440A-A17029...440G-A07269


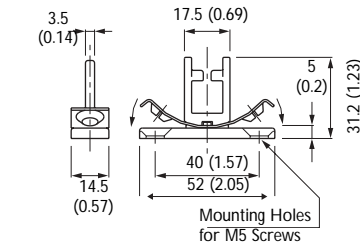

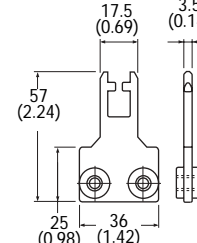

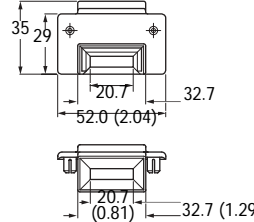

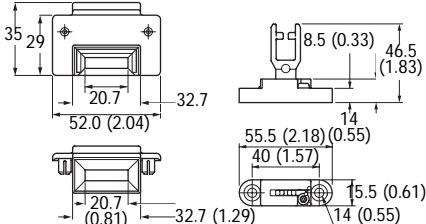

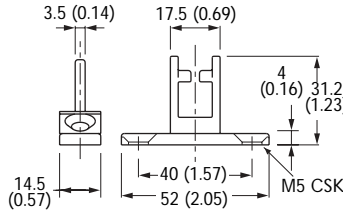

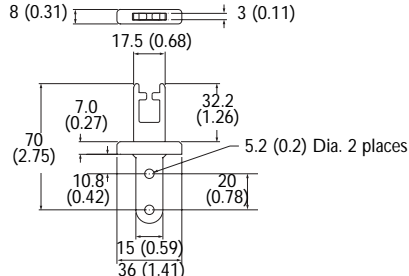
| Item | Description | Approximate Dimensions—mm (inches) | Catalogue Number |
|-------------------------------------------------------------------------------------|-------------------------------------------------|----------------------------------------------------------------------------------------------------------------------------|------------------|
|  | Screw Pack (16 Security Screws M4 x 20mm & Bit) | — | 440A-A17029 |
|  | Screw Pack (10 Security Screws M5 x 20mm & Bit) | — | 440A-A17030 |
|  | Indicator, M20 Conduit Pilot Light—Amber | — | 440A-A19001 |
|  | Indicator, M20 Conduit Pilot Light—Red | — | 440A-A19002 |
|  | Indicator, 1/2in NPT Conduit Pilot Light—Amber | — | 440A-A19005 |
|  | Indicator, 1/2in NPT Conduit Pilot Light—Red | — | 440A-A19007 |
|  | Atlas Standard Actuator |  <p>2 Mounting Holes for M5 Screws</p> | 440G-A07136 |
|  | Atlas Replacement End Cap |  | 440G-A07180 |
|  | Atlas Fully Flex Actuator |  | 440G-A07269 |

Accessories

440G-A27011...440K-A11094


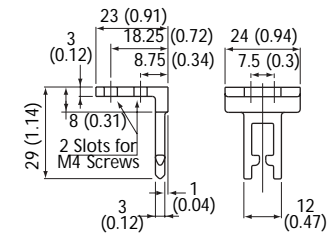

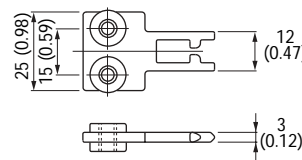

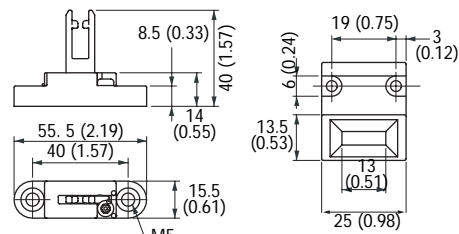

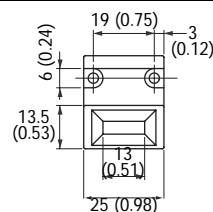

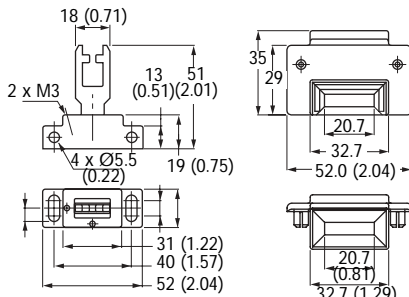

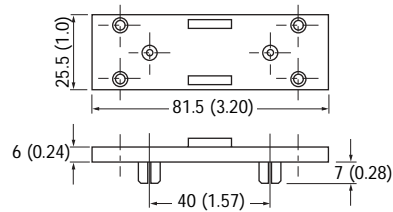

| Item | Description | Approximate Dimensions—mm (inches) | Catalogue Number |
|-------------------------------------------------------------------------------------|--------------------------------------------------------------------------|--------------------------------------------------------------------------------------------------------------------------------------------------------------------------------------------------------------------------------------------------------------------------------------------------------------------------------------------------------------------------------------|------------------|
|  | GD2 Standard Actuator (GD2 model only) |  <p>3.5 (0.14) 18 (0.71)</p> <p>14.5 (0.57) 40 (1.57) 52 (2.05)</p> <p>4 (0.16) 36 (1.42)</p> <p>M5 CSK</p> | 440G-A27011 |
|  | Fully-Flexible Actuator (GD2 model only) |  <p>18 (0.71)</p> <p>2 x M3</p> <p>13 (0.51) 51 (2.01)</p> <p>4 x Ø5.5 (Ø2.2)</p> <p>19 (0.75)</p> | 440G-A27143 |
|  | Sliding Bolt Actuator (GD2 model only) |  <p>Ø10 (0.39) 20 (0.78) 50 (1.96) 20</p> <p>19 (0.74) 50 100 (3.93) 18 (0.7)</p> <p>40 (1.57) 84 (3.3) 140 (5.51) Tapped M5</p> <p>25.5 (1.0) 2.5 (0.09) 5.5 (0.21) 24 (0.94)</p> <p>34 (1.33) 117.5 (4.62) 20.5 (0.8)</p> | 440G-A27163 |
|  | Spartan/TLS-GD2/ 440G-MT Solenoid Emergency Override | — | 440G-A36026 |
|  | Spartan Replacement Actuator with Catch Retainer and Guide |  <p>3.5 (0.14) 17.5 (0.69) 52 (2.05)</p> <p>14.5 (0.57) 40 (1.57) 52 (2.05)</p> <p>7.25 (0.29) 40 (1.57) 31.2 (1.23)</p> <p>5 (0.2) 14.5 (0.57)</p> <p>Mounting Holes for M5 CSK Screws</p> <p>Catch Retainer</p> <p>25.5 (1.0) 1.5 (0.06)</p> | 440G-A36050 |
|  | T15/Trojan 5/Trojan 6 Catch and Retainer Kit (Standard Model Only) |  <p>29 (1.14) 52 (2.05) 4 (0.16) 18 (0.71)</p> <p>7.25 (0.29) 52 (2.05) 40 (1.57) 14.5 (0.57)</p> <p>11.2 (0.44) 1.5 (0.06) 25.5 (1.0)</p> <p>Catch Case Catch Retainer</p> | 440K-A11094 |

440K-A11095...440K-A17116

| Item | Description | Approximate Dimensions—mm (inches) | Catalogue Number |
|-------------------------------------------------------------------------------------|------------------------------------------------------------------------------------------|--------------------------------------------------------------------------------------|------------------|
|  | Trojan 5 and Trojan 6 Standard Actuator (Standard Model Only) |  | 440K-A11095 |
|  | Trojan/440G-MT/TLS-GD2/MT-GD2 Flat Actuator |  | 440K-A11112 |
|  | Replacement Alignment Guide |  | 440K-A11115 |
|  | Trojan Alignment Guide with Semi-Flexible Actuator (Discard the Alignment Guide for GD2) |  | 440K-A11144 |
|  | Trojan T15 Standard Actuator (Standard model only) |  | 440K-A11238 |
|  | 440G-MT/TLS-GD2/Trojan/MT-GD2 Extended Flat Actuator |  | 440K-A17116 |

Accessories

440K-A21006...440R-A31562

| Description | | Approximate Dimensions—mm (inches) | Catalogue Number |
|-------------------------------------------------------------------------------------|--------------------------------------------------------------------------------------------------------------------------------------|--------------------------------------------------------------------------------------|--------------------|
|  | <p>Elf/Cadet 90° Actuator</p> |  | <p>440K-A21006</p> |
|  | <p>Elf/Cadet Flat Actuator</p> |  | <p>440K-A21014</p> |
|  | <p>Elf/Cadet GD2 Metal Alignment Guide with Semi-Flexible Actuator</p> |  | <p>440K-A21030</p> |
|  | <p>Elf/Cadet Alignment Guide</p> |  | <p>440K-A21069</p> |
|  | <p>TLS-GD2/Trojan/ MT-GD2 Alignment Guide with Fully-Flexible Actuator (Discard the Alignment Guide for GD2)</p> |  | <p>440K-A27010</p> |
|  | <p>Mounting Plate</p> |  | <p>440K-A33624</p> |
|  | <p>Fuse, 500mA Bussmann Catalogue Number ETF-500mA</p> | <p>—</p> | <p>440R-A31562</p> |