

PLEASE CHECK WWW.MOLEX.COM FOR LATEST PART INFORMATION

Part Number: [5015947011](#)
Status: **Active**
Overview: [slimstack_mm016_pitch](#)
Description: 0.40mm (.016") Pitch SlimStack™ Board-to-Board Plug, SMT, Dual Row, Vertical Stacking, 0.90mm (.035") Stacking Height, With Solder Tabs, 70 Circuits

Documents:

[3D Model](#) [Product Specification PS-501591-002 \(PDF\)](#)
[Drawing \(PDF\)](#) [RoHS Certificate of Compliance \(PDF\)](#)

General

Product Family	PCB Headers
Series	501594
Application	Board-to-Board
Overview	slimstack_mm016_pitch
Product Name	SlimStack™

Physical

Breakaway	No
Circuits (Loaded)	70
Color - Resin	Black
Durability (mating cycles max)	20
Glow-Wire Compliant	No
Lock to Mating Part	Yes
Mated Height (in)	0.035 In
Mated Height (mm)	0.90 mm
Material - Metal	Phosphor Bronze
Material - Plating Mating	Gold
Number of Rows	2
Orientation	Vertical
PCB Locator	No
PCB Retention	Yes
Packaging Type	Embossed Tape on Reel
Pitch - Mating Interface (in)	0.016 In
Pitch - Mating Interface (mm)	0.40 mm
Polarized to Mating Part	No
Polarized to PCB	No
Stackable	No
Surface Mount Compatible (SMC)	Yes
Temperature Range - Operating	-25°C to +85°C
Termination Interface: Style	Surface Mount

Electrical

Current - Maximum per Contact	0.3A
Voltage - Maximum	50V AC (RMS)/DC

Material Info

Reference - Drawing Numbers

Packaging Specification	SPK-501594-001
Product Specification	PS-501591-002, RPS-501591-007, RPS-501591-010, RPS-501591-011, RPS-501591-012, RPS-501591-013, RPS-501591-014, RPS-501591-016, RPS-501591-017, RPS-501591-019, RPS-501591-020
Sales Drawing	SD-501594-005, SD-501594-006

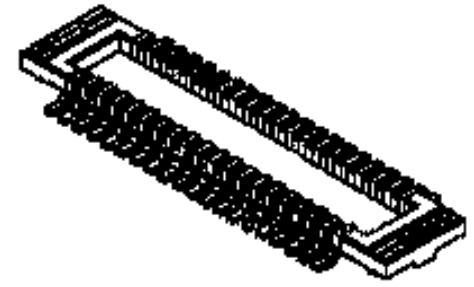


image - Reference only

Series

EU RoHS

**ELV and RoHS
Compliant**
REACH SVHC
 Not Reviewed
**Halogen-Free
Status**

China RoHS



Not Reviewed

**Need more information on product
environmental compliance?**

Email productcompliance@molex.com
 For a multiple part number RoHS Certificate of
 Compliance, [click here](#)

Please visit the [Contact Us](#) section for any
 non-product compliance questions.

Search Parts in this Series

[501594Series](#)

Mates With

[501591](#) SlimStack™ Board-to-Board
 Receptacle

This document was generated on 05/26/2010

PLEASE CHECK WWW.MOLEX.COM FOR LATEST PART INFORMATION

10 9 8 7 6 5 4 3 2 1

F

E

D

C

B

A

F

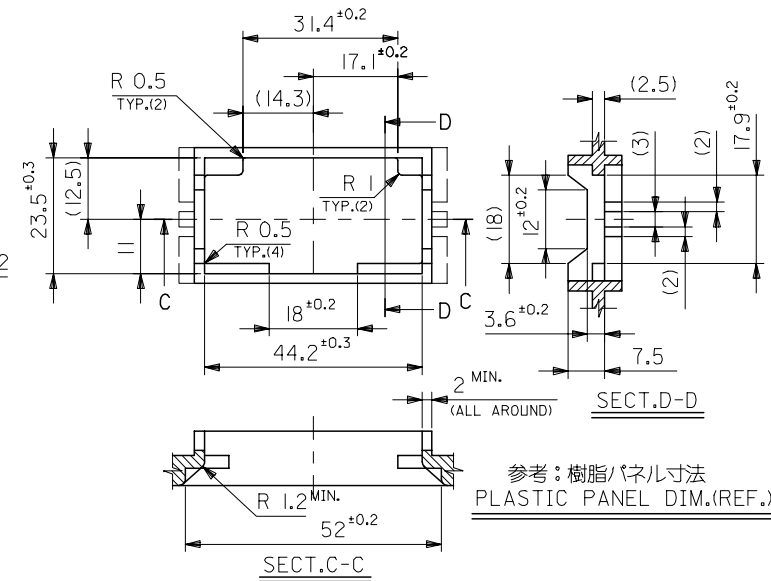
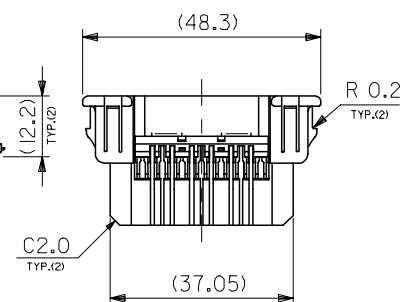
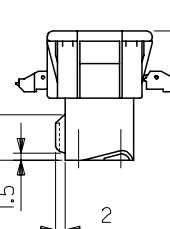
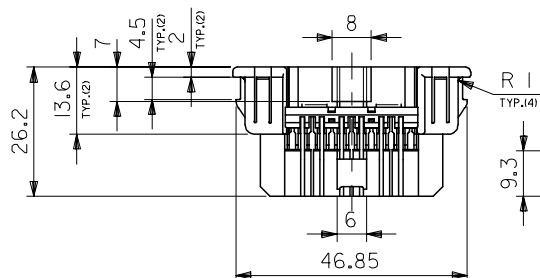
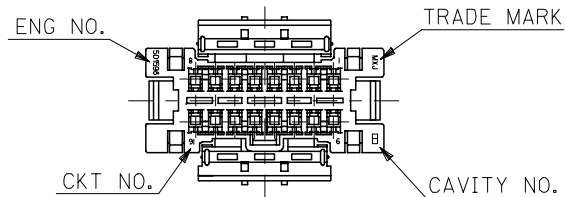
E

D

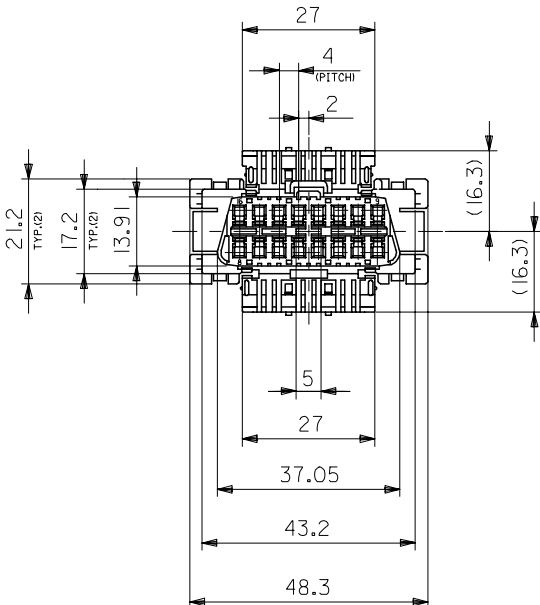
C

B

A



参考：樹脂パネル寸法
PLASTIC PANEL DIM.(REF.)



注記
NOTES

- 適合ターミナル:50695-8*00, 56056-0005
APPLICABLE TERMINAL:50695-8*00, 56056-0005
- 材料: PBT(NON-FILLER) UL94HB, BLUE
MATERIAL:

RELEASED EC NO: J2005-2288 DRW: SHIBATA 2005/02/08 CHKD: TAITO 2005/02/08 APPR: AKANEHIGE 2005/02/22	GENERAL TOLERANCES (UNLESS SPECIFIED)		DIMENSION STYLE MM ONLY		SCALE 1:1	DESIGN UNITS METRIC	THIRD ANGLE PROJECTION		
	10 UNDER	±0.2	DRAWN BY SH. SHIBATA		DATE 05/2/4	TITLE 4.0 W/W CONN. REC. HSG. WITH MOUNTING EARS (OBD-II 24V)			
	10 OVER 30 UNDER	±0.25	CHECKED BY TA. ITO		DATE 05/2/4				
	30 OVER	±0.3	APPROVED BY A. KANEHIGE		DATE 05/2/4	MOLEX INCORPORATED DOCUMENT NO. SD-501598-001 SHEET NO. 1 OF 1			
ANGULAR ±3 °		MATERIAL NO. 501598-1604		THIS DRAWING CONTAINS INFORMATION THAT IS PROPRIETARY TO MOLEX INCORPORATED AND SHOULD NOT BE USED WITHOUT WRITTEN PERMISSION					
DRAFT WHERE APPLICABLE MUST REMAIN WITHIN DIMENSIONS									