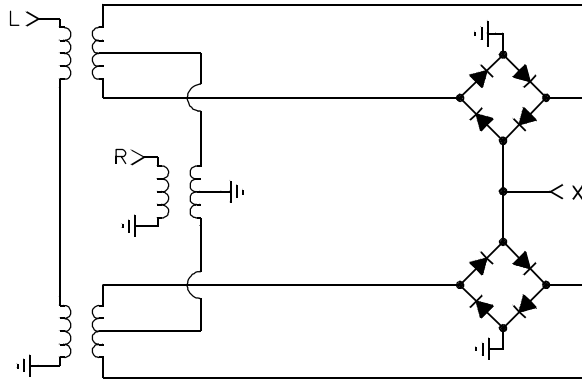


DMM-6-1500

DOUBLE BALANCED MIXER

10 to 3000 MHz / +10 to +17 dBm LO / SMA Connectors



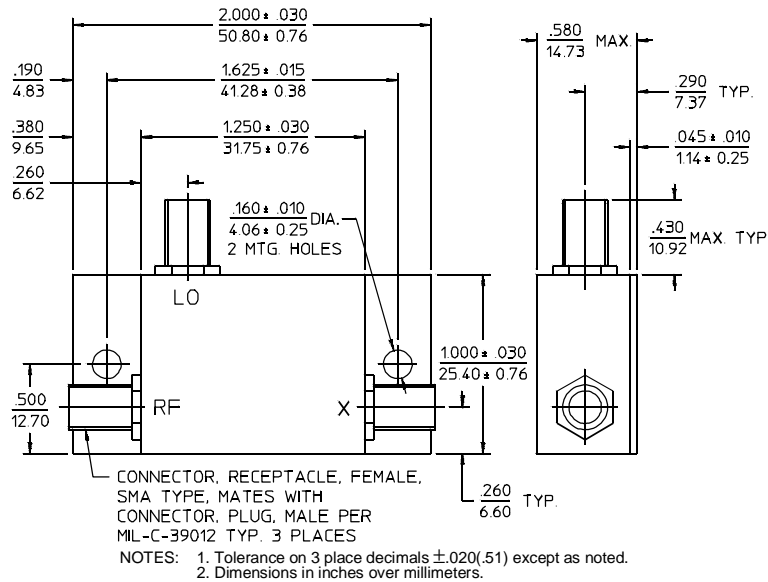
PRINCIPAL SPECIFICATIONS

Model Number	RF/LO Frequency, MHz	LO Drive, Nom. dBm	*IF Freq., MHz	Operating Range, MHz	Conversion Loss, dB		Port Isolation, Min. dB			1 dB Compr. Point	Input Intercept Point
					Max.	Typ.	L-R	L-X	R-X		
DMM-6-1500	10 - 3000	+13 dBm	10 - 1000	10 - 500	9.0	8.5	25	20	15	+7 dBm (typ.)	+19 dBm (typ.)
				500 - 1000	9.0	8.0	30	25	20		
				1000 - 3000	9.0	8.5	20	20	20		

*IF Response extends to DC with increased conversion loss.

All specifications are as measured in a 50Ω system, at nominal LO power, in a downconverter application

Package Outline



GENERAL SPECIFICATIONS

Impedance:	50 Ω nom.
Polarity Sense:	Negative
Noise Figure:	Within ±1 dB of Conversion Loss
Useful LO Drive:	+10 to +17 dBm
Maximum Input Power:	600 mW @25°C (derate linearly to 0 mW @125°C)
1 dB Desens. Level:	+5 dBm typ.
DC Offset Voltage:	8 mV typ.
Weight, nominal:	1.5 oz (42 g)
Operating Temperature:	-55° to +85°C

General Notes:

- The DMM-6-1500 Double Balanced Mixers covers the frequency range of 10 to 3000 MHz using two parallel ring modulators to produce a medium level mixer with and extremely wide bandwidth.
- Merrimac offers a broad selection of Double Balanced Mixers ideal for a variety of signal processing functions with frequencies ranging from 20 kHz to 20 GHz and for applications from routine to very special.
- Merrimac mixers comply with MIL-M-28837 and may be supplied screened for compliance with additional specifications for military and space specifications requiring the highest reliability.

24May96