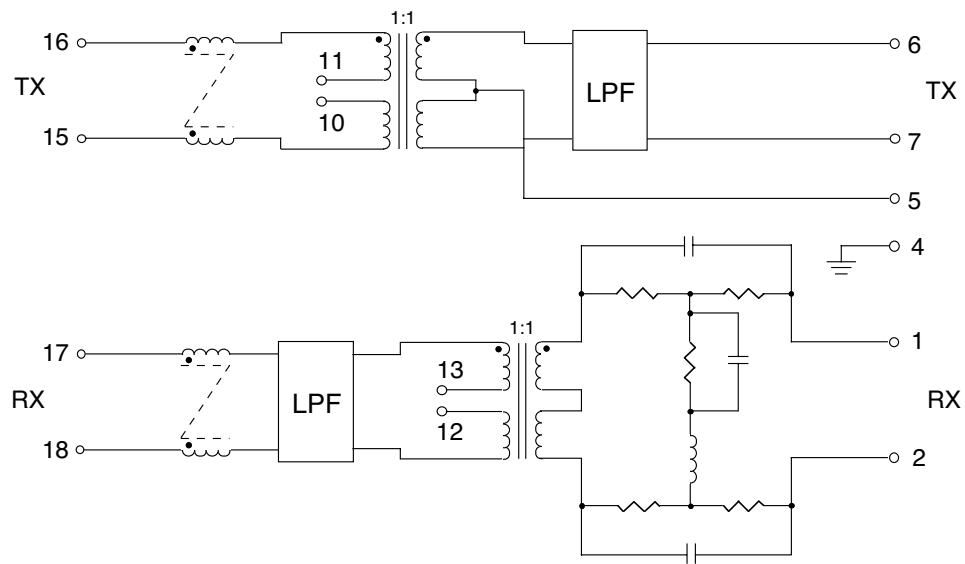


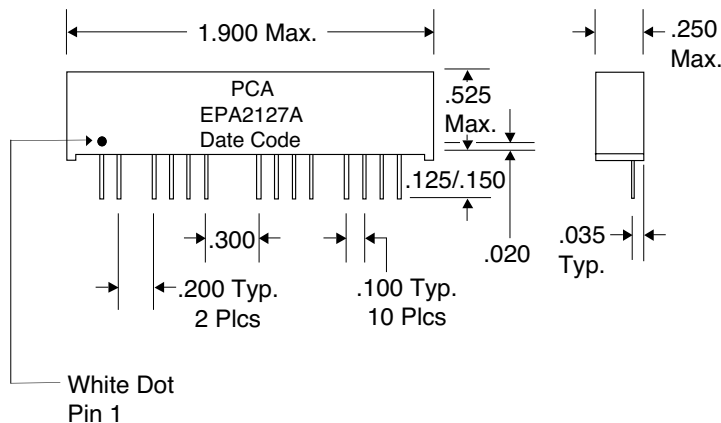
Filter Module for Token Ring (Twisted Pair) 18 Pin SIL

PCA Part Number(s)		EPA2127A			
Electrical Specifications @ 25°C					
Parameter	Frequency	Specification	XMIT	RCV	Unit
Isolation (Input to Output)		2000 (for 1 Minute)			Vrms
Cut-off Frequency		27			MHz Typ.
Return Loss	16 MHz	-15			dB Min.
I/O Impedance		100			Ω
Insertion Loss	1-15 MHz		1.0	-----	dB Max.
Common Mode Rejection	300 KHz-300 MHz	20			dB Min.
Notes :					

Schematic



Package



Response (Typ.)

