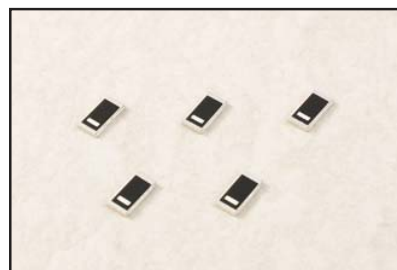
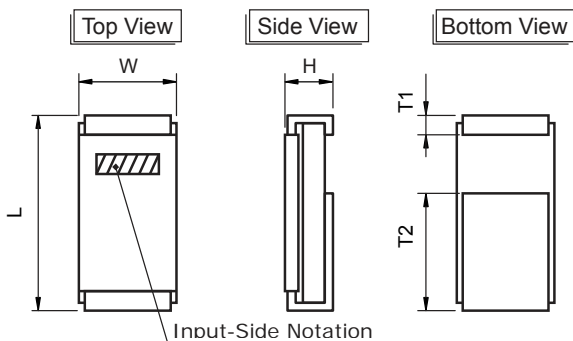


Applicable to MIL-R-11804E

## Dimensions



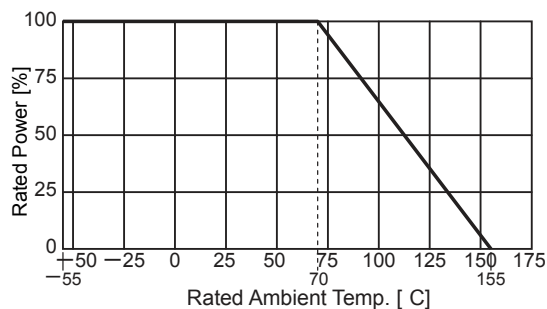
Unit : mm

L	W	H	T1	T2
5.0±0.2	2.5±0.2	0.8 max.	0.45±0.2	3.0±0.2

## Rating

Requirements	TCD-2008B50J
Frequency Range	DC ~ 2.5 GHz
VSWR	1.2 max.
Impedance	50 Ω
Resistance Tolerance	±5 %
T.C.R.	±100 ppm/ C
Rated Power	8 W
Working Temp. Range	-55 C ~ 155 C

Derating Curve



## Materials

Part Name	Materials
Coating	Epoxy Resin
Resistance	Thin Film Tantalum Alloy
Electrode	Ni / Sn
Substrate	Almina

## How to Code

TCD	—	2	008	B	50	J	—	G
Style		No.	Rated Power	Electrode Structure	Resistance	Resistance Tolerance		Made with RoHS
			008   8W		50   50Ω	J   ±5%		