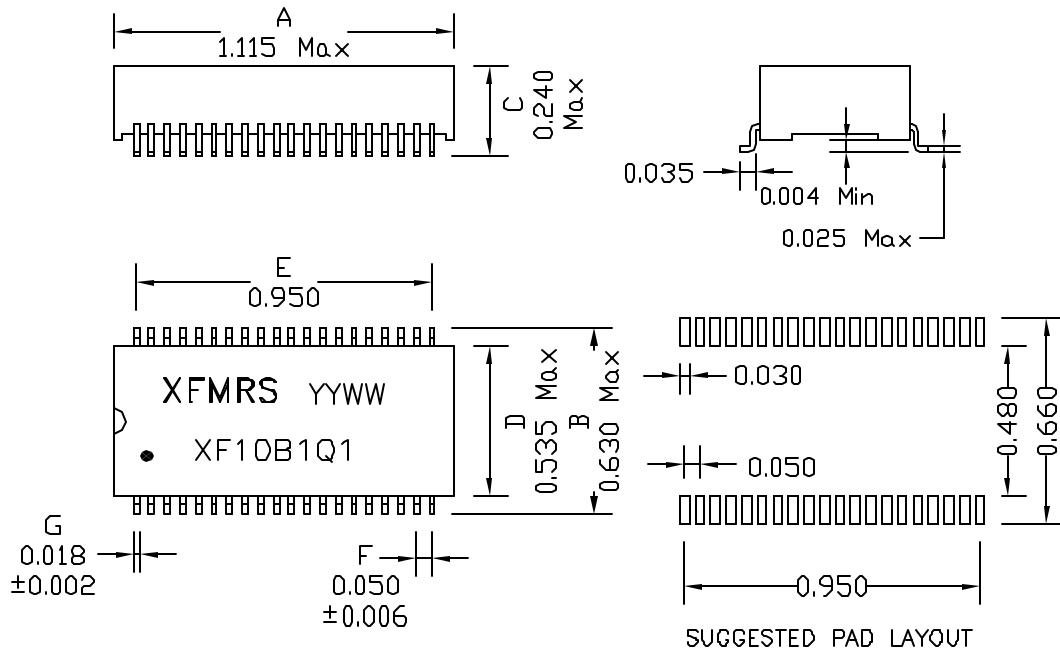
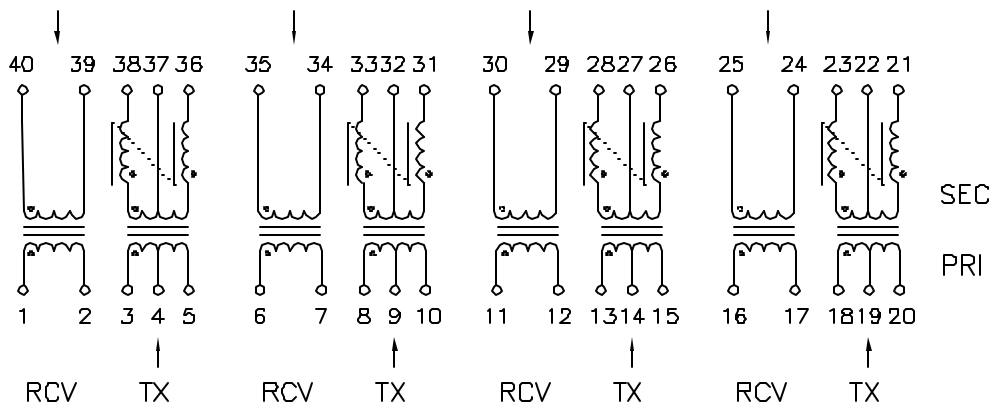


### 1. Mechanical Dimensions:



### 2. Schematic:



DOC REV: A/10

### 3. Electrical Specifications: @25°C

- PRI OCL: 140uH Typ (TX&RCV) @100KHz 50mV
- Cw/w: 12pF Max (PRI/SEC) @100KHz 50mV
- LL: 0.40uH Max @TX @100KHz 50mV, SEC Shorted
- LL: 0.40uH Max @RCV @100KHz 50mV, SEC Shorted
- PRI DC Resistance: 0.30 Ohms Max (TX & RCV)
- CMR Choke OCL: 30uH Typical @100KHz 50mV
- Turns Ratio: 1CT:1.41CT (TX)
- Turns Ratio: 1:1 (RCV)
- Pri/Sec Isolation: 1500 Vrms

**Notes:**

1. Solderability: Leads shall meet MIL-STD-202G, Method 208H for solderability.
2. Flammability: UL94V-0
3. ASTM oxygen index: > 28%
4. Insulation System: Class F 155°C, UL file E151556
5. Operating Temperature Range: All listed parameters are to be within tolerance from -40°C to +85°C
6. Storage Temperature Range: -55°C to +125°C
7. Aqueous wash compatible
8. SMD Lead Coplanarity: ±0.004"(0.102mm)
9. Electrical and mechanical specifications 100% tested
10. RoHS Compliant Component

<b>XFMRs Inc</b> www.XFMRs.com		Title: Quad Ports 10BASE-T Modules	
UNLESS OTHERWISE SPECIFIED TOLERANCES: .xxx ±0.010 Dimensions in INCH		P/N: XF10B1Q1      REV. A	
		DWN.	Juan Mao      Mar-24-08
SCALE 2:1 SHT 1 OF 1		CHK.	YK Liao      Mar-24-08
		APP.	BW      Mar-24-08