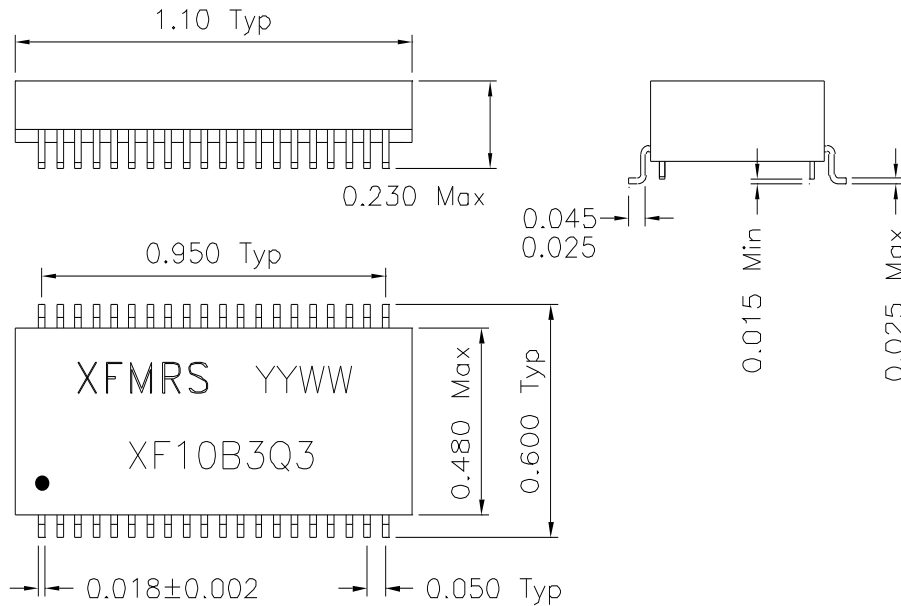
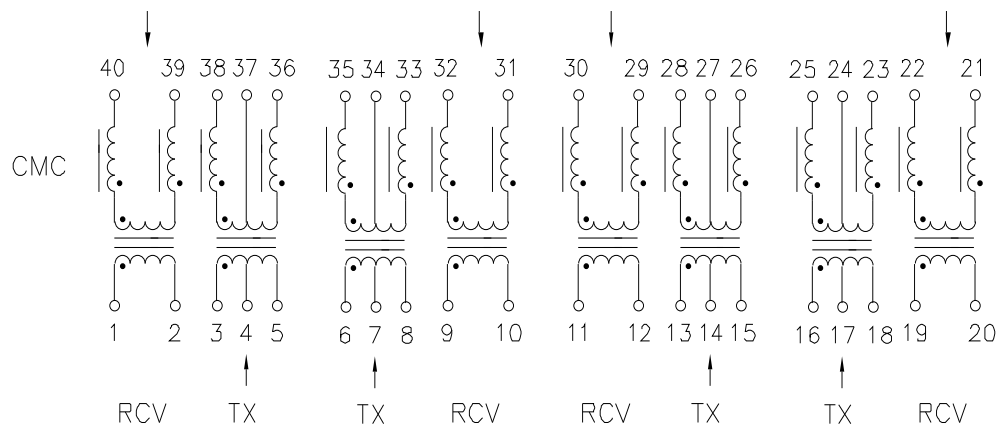


1. Dimensions:



2. Schematic:



3. Electrical Specifications: @25°C

Pri/Sec Isolation: 1500 Vrms

Turns Ratio: 1CT:2CT (TX)

Turns Ratio: 1 : 1 (RCV)

PRI OCL: 180uH Minimum (TX&RCV) @100KHz 50mV

Cw/w: 10pF Maximum (PRI/SEC) @100KHz 50mV

Leakage Inductance: 0.30uH Max (SEC Shorted)

Insertion Loss: 0.5dB Maximum @1-10MHz

CROSSTALK: -35dB Minimum 1-10MHz

Return Loss: 20dB Min. @ 5-10MHz 100 Ohms
15dB Min. @ 5-10MHz 98±130hms

DOC.REV A/-

THIS DOCUMENT IS STRICTLY NOT ALLOWED TO BE DUPLICATED WITHOUT AUTHORIZATION

XFMRs Inc UNLESS OTHERWISE SPECIFIED TOLERANCES: .xxx ±0.010 Dimensions in INCH	Title: Quad Ports 10BASE-T Modules		
	P/N: XF10B3Q3		REV. A
DWN.	李清儿	Mar-25-99	
CHK.	孙小松	Mar-25-99	
SCALE 2:1 SHT 1 OF 1	APP.	Joe Huff	Mar-25-99