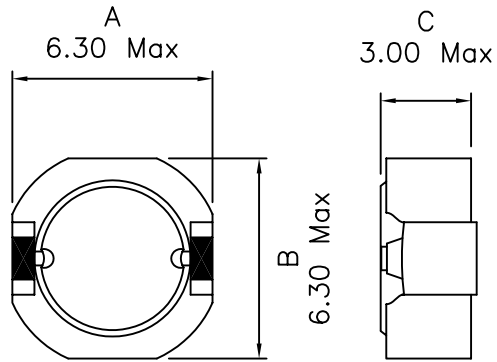
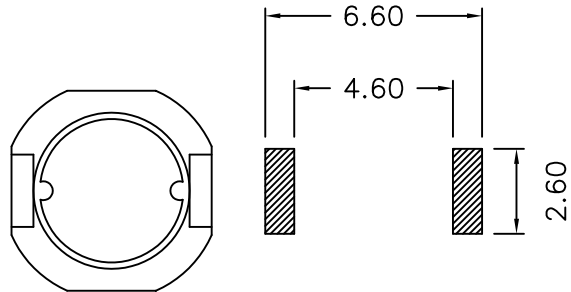


1. Mechanical Dimensions:



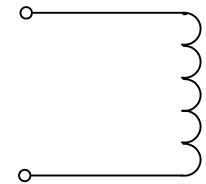
TOP VIEW



BOTTOM VIEW

PCB LAYOUT

2. Schematic:



3. Electrical Specification:

INDUCTANCE: 4.7uH ±20% @100KHz 0.1V

DCR: 0.027 Ohms Typ

Isat: 1.66Adc

Irated: 2.45A

Note:

1. Solderability: Leads shall meet MIL-STD-202, Method 208D for solderability.
2. Flammability: UL94V-0,
3. ASTM oxygen index: > 28% ,
4. Temperature rating: 155°C. UL file E151556,
5. Operating Temperature Range: -40°C to +85°C

DOC. REV. A/1

XFMRs Inc.	Title: INDUCTORS		
UNLESS OTHERWISE SPECIFIED TOLERANCES: .xxx ±0.010 Dimensions in INCH	P/N:XF636030SH-4R7M		REV. A
	DWN.	廖玉坤	Dec-3-02
	CHK.	李清儿	Dec-3-02
SHEET 1 OF 1	APP.	BW	Dec-3-02