

PLEASE CHECK WWW.MOLEX.COM FOR LATEST PART INFORMATION

Part Number: **0008700048**
Status: **Active**
Overview: **kk**
Description: **KK® Cat Ear Crimp Terminal 5159, 22-28 AWG, Reel, Phosphor Bronze, Tin (Sn) Plating**

Documents:

3D Model	Product Specification PS-5051-003 (PDF)
Drawing (PDF)	Product Specification PS-5051-004 (PDF)
Product Specification PS-5045-001 (PDF)	Product Specification PS-5102-004 (PDF)
Product Specification PS-5045-002 (PDF)	Product Specification PS-5159-003 (PDF)
Product Specification PS-5047-001 (PDF)	RoHS Certificate of Compliance (PDF)

General

Product Family	Crimp Terminals
Series	5159
Crimp Quality Equipment	Yes
Overview	kk
Product Name	Cat Ear, KK®

Physical

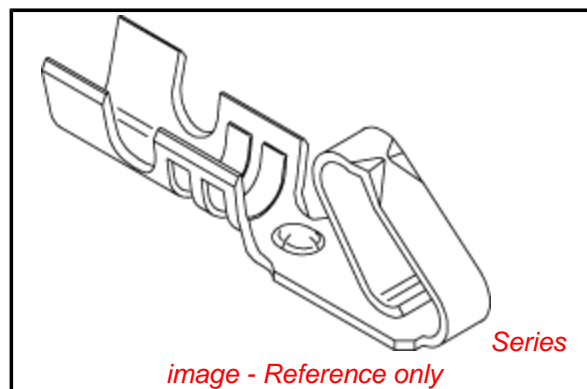
Gender	Female
Material - Metal	Phosphor Bronze
Material - Plating Mating	Tin
Material - Plating Termination	Tin
Packaging Type	Reel
Plating min: Mating (µin)	36
Plating min: Mating (µm)	0.90
Plating min: Termination (µin)	36
Plating min: Termination (µm)	0.90
Termination Interface: Style	Crimp or Compression
Wire Insulation Diameter	1.20-1.70mm (.047-.067")
Wire Size AWG	22, 24, 26, 28
Wire Size mm²	N/A

Material Info

Old Part Number	5159PBT
-----------------	---------

Reference - Drawing Numbers

Packaging Specification	SPK-5159-001
Product Specification	PS-5045-001, PS-5045-002, PS-5047-001, PS-5051-003, PS-5051-004, PS-5102-004, PS-5159-003
Sales Drawing	SD-5159*



EU RoHS

ELV and RoHS Compliant
REACH SVHC Contains SVHC: No
Halogen-Free Status

China RoHS



Need more information on product environmental compliance?

Email productcompliance@molex.com
 For a multiple part number RoHS Certificate of Compliance, [click here](#)

Please visit the [Contact Us](#) section for any non-product compliance questions.

Search Parts in this Series

[5159Series](#)

Use With

[2695](#) , [5051](#) , [6471](#) , [3071](#)

Application Tooling | FAQ

Tooling specifications and manuals are found by selecting the products below. Crimp Height Specifications are then contained in the Application Tooling Specification document.

Global

Description	Product #
Extraction Tool	0011030022
Insertion Tool	0638120000
Mini-Mac™	0638882000
Applicator, Use with Large Wire Insulation Diameter	
Mini-Mac™	0638882100
Applicator, Use with Small Wire Insulation Diameter	

Japan

Description

Product #

Hand Extraction Tool 0011260059

Applicator for M211A 0011260107

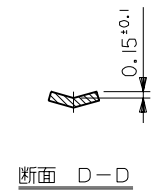
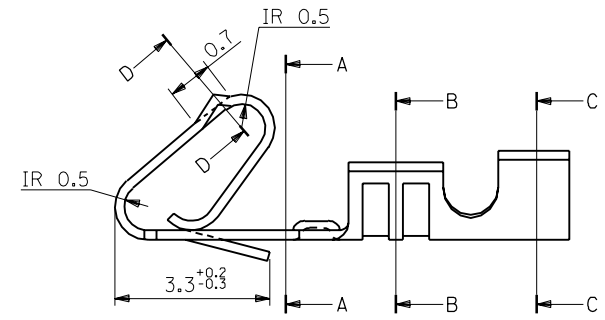
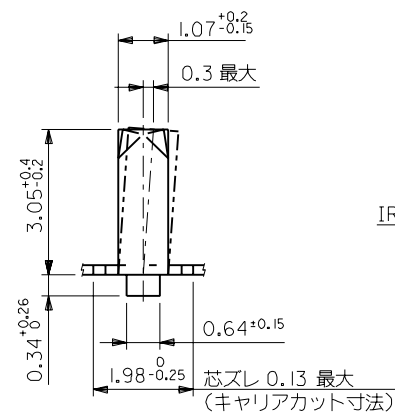
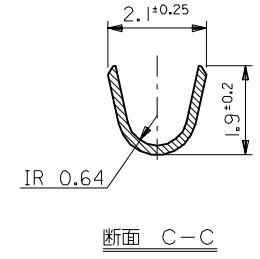
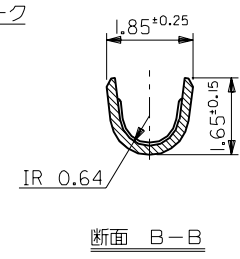
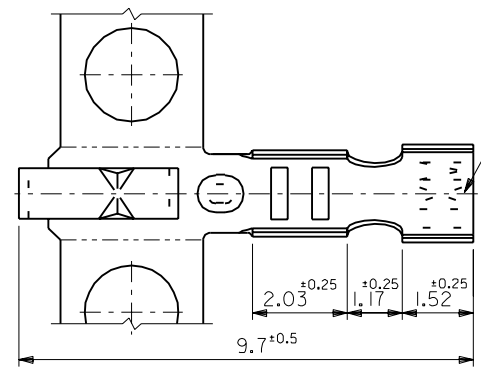
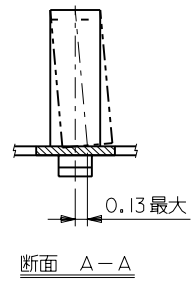
Bench Press, 22-28

AWG, for 5159

Crimp Terminal

This document was generated on 06/01/2010

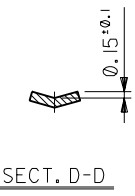
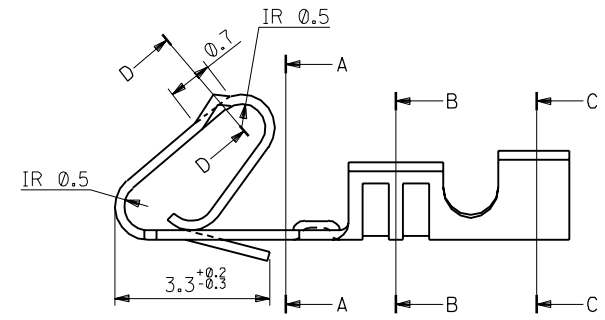
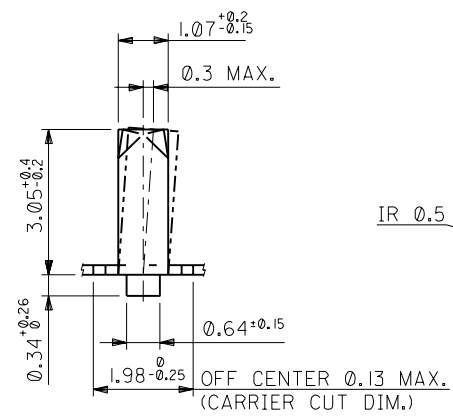
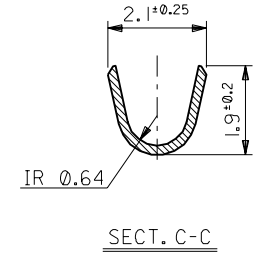
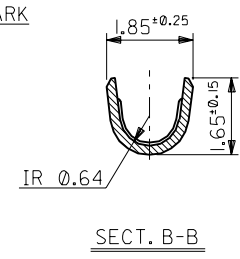
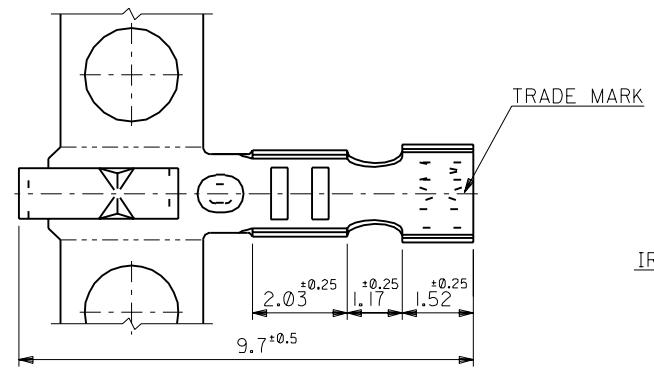
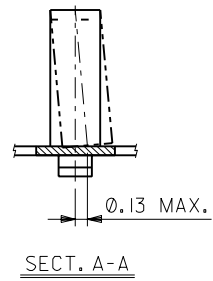
PLEASE CHECK WWW.MOLEX.COM FOR LATEST PART INFORMATION



錫 0.9µm以上 リフロー処理	リン青銅 メッキ済	バラ状 連鎖状	08-70-0049 08-70-0048	5159PBTL 5159PBT
錫 0.9µm以上 銅下地 0.5µm以上	黄銅 メッキ済	バラ状 連鎖状	08-70-0069 08-70-0064	5159TL 5159T
メッキ仕様	材質	端子形状	EDP NO.	ENG. NO.

角度 ANGLE		±3°						材料 表参照 MATERIAL 表参照 板厚: 0.203	MOLEX JAPAN CO., LTD. 日本モレックス株式会社
30以上 OVER		+0.3						仕上げ 表参照 FINISH 表参照	
10以上 30未滿 OVER UNDER		+0.25	J	変更及び再作図 (J00775)	S.M.	H.H.	90/7/9	適用電線範囲 WIRE RANGE AWG #22-#28	EDP NO. 08-70-00**
10未滿 UNDER		+0.2	記号 LTR	変更内容 REVISION RECORD	DR.	CHK.	日付 DATE	被覆外径 INS. RANGE Φ (1.2)-1.7	ENG. NO. SD-5159*
一般公差 GENERAL TOLERANCES			REVISION RECORD				DRAWN BY 90/7/9 S.MOCHIZUKI		TITLE 名称 MINI. KK. CRIMP RECEPTACLE
			REVISION RECORD				APP'D BY 91/03/26 M.ENOMOTO		REV J

THIS DRAWING CONTAINS INFORMATION THAT IS PROPRIETARY TO MOLEX(JAPAN) AND SHOULD NOT BE USED WITHOUT WRITTEN PERMISSION
本図面は日本モレックス(株)の所有する情報を含むもので 当社の許可なく複製を禁止する。



TIN 0.9um MIN. REFLOW TREATMENT	PHOSPHOR BRONZE PRE PLATED	LOOSE	08-70-0049	5159PBTL
		CHAIN	08-70-0048	5159PBT
TIN 0.9um MIN. OVER COPPER 0.5um MIN.	BRASS PRE PLATED	LOOSE	08-70-0069	5159TL
		CHAIN	08-70-0064	5159T
PLATING	MATERIAL	FORM	EDP NO.	ENG. NO.

材料 MATERIAL SEE TABLE THK : 0.203		MOLEX MOLEX-JAPAN CO.,LTD. 日本モレックス株式会社	
仕上げ FINISH SEE TABLE		EDP. NO. 08-70-00**	
適用電線範囲 WIRE RANGE AWG #22-#28		ENG. NO. SD-5159*	
被覆外径 INS. RANGE $\Phi (1.2) - 1.7$		REV J	
DRAWN BY 90/7/9 S.MOCHIZUKI CHK'D BY 91/03/26 M.FUKUSHIMA APP'D BY 91/03/26 M.ENOMOTO		TITLE 名称 MINI. KK. CRIMP RECEPTACLE	
REVISION RECORD		SCALE 10-1	
角 度 ANGLE ±3°			
30以上 OVER ±0.3			
10以上 30未滿 UNDER ±0.25		REVISED & REDRAWN (J00775) S.M. H.H. 90/7/9	
10未滿 UNDER ±0.2		DR. DATE	
一般公差 GENERAL TOLERANCES		REVISION RECORD	
		REVISION RECORD	

THIS DRAWING CONTAINS INFORMATION THAT IS PROPRIETARY TO MOLEX(JAPAN) AND SHOULD NOT BE USED WITHOUT WRITTEN PERMISSION
 本図面は日本モレックス(株)の所有する情報を含むもので 当社の許可なく複製を禁止する。