

**PLEASE CHECK WWW.MOLEX.COM FOR LATEST PART INFORMATION**

**Part Number:** **0008700057**  
**Status:** **Active**  
**Overview:** spox\_bmi  
**Description:** SPOX™ Crimp Terminal 5103, 22-28 AWG, Bag, Brass (CuZn), Loose Type, Lead Free

**Documents:**

<a href="#">Drawing (PDF)</a>	<a href="#">Product Specification PS-5102-008 (PDF)</a>
<a href="#">Product Specification PS-5045-001 (PDF)</a>	<a href="#">Product Specification PS-5103-001 (PDF)</a>
<a href="#">Product Specification PS-5045-002 (PDF)</a>	<a href="#">Product Specification PS-5103-002 (PDF)</a>
<a href="#">Product Specification PS-5102-002 (PDF)</a>	<a href="#">RoHS Certificate of Compliance (PDF)</a>
<a href="#">Product Specification PS-5102-004 (PDF)</a>	

**General**

Product Family	Crimp Terminals
Series	5103
Crimp Quality Equipment	Yes
Overview	<u>spox_bmi</u>
Product Name	SPOX™

**Physical**

Durability (mating cycles max)	30
Gender	Female
Material - Metal	Brass
Material - Plating Mating	Tin
Material - Plating Termination	Tin
Packaging Type	Bag
Plating min: Mating (µin)	35
Plating min: Mating (µm)	0.88
Plating min: Termination (µin)	35
Plating min: Termination (µm)	0.88
Termination Interface: Style	Crimp or Compression
Wire Insulation Diameter	1.90mm (.075") max.
Wire Size AWG	22, 24, 26, 28
Wire Size mm²	N/A

**Electrical**

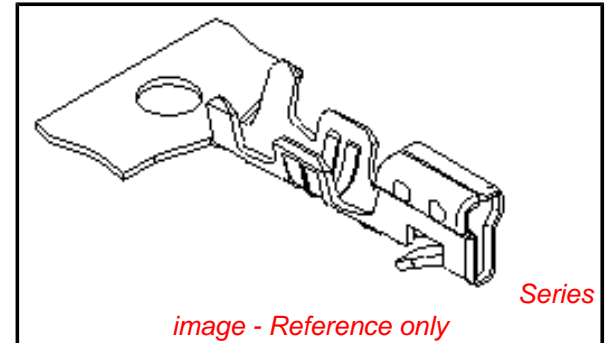
Current - Maximum per Contact	3A
Voltage - Maximum	250V

**Material Info**

Old Part Number	5103TL
-----------------	--------

**Reference - Drawing Numbers**

Packaging Specification	SPK-5103
Product Specification	PS-5045-001, PS-5045-002, PS-5102-002, PS-5102-004, PS-5102-008, PS-5103-001, PS-5103-002, RPS-35155-101, RPS-35155-102
Sales Drawing	SD-5103-002



**EU RoHS**

**ELV and RoHS Compliant**  
**REACH SVHC**  
**Contains SVHC: No**  
**Halogen-Free Status**

**China RoHS**



**Need more information on product environmental compliance?**

Email [productcompliance@molex.com](mailto:productcompliance@molex.com)  
 For a multiple part number RoHS Certificate of Compliance, [click here](#)

Please visit the [Contact Us](#) section for any non-product compliance questions.

**Search Parts in this Series**

[5103Series](#)

**Use With**

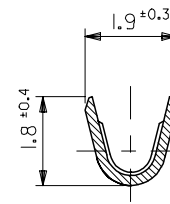
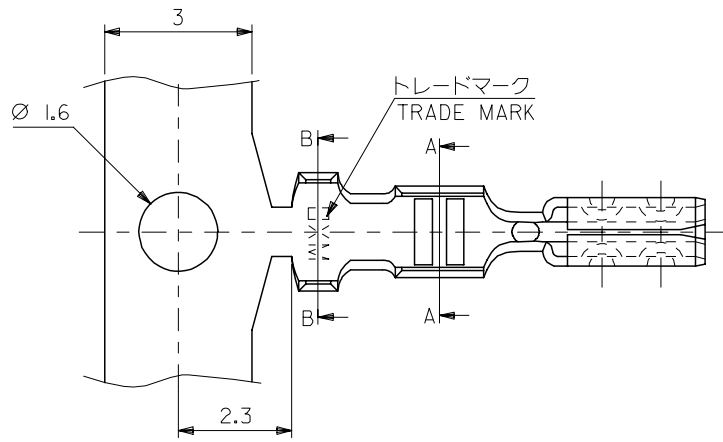
[5102](#) Crimp Housing, [5207](#) Mini SPOX Housing

**Application Tooling | [FAQ](#)**

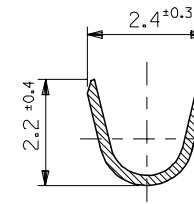
*Tooling specifications and manuals are found by selecting the products below. Crimp Height Specifications are then contained in the Application Tooling Specification document.*

**Global**

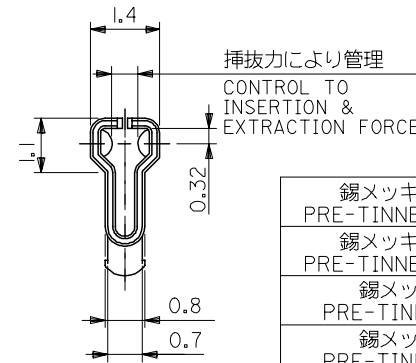
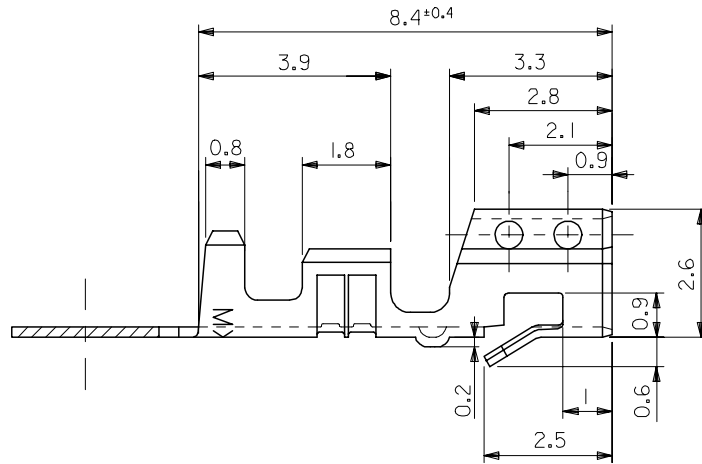
Description	Product #
Hand Crimp Tool	<a href="#">0638115200</a>
Manual Extraction Tool	<a href="#">0638131500</a>



断面 A-A  
SECT. A-A



断面 B-B  
SECT. B-B



注記 NOTES:

1. 適合ハウジング:  
APPLICABLE HOUSING:  
5102-N,5207-N,5208-N,5209-N

錫メッキ済リン青銅 PRE-TINNED PHOS-BRO.	08-70-0059	5103PBTL	バラ状 LOOSE
錫メッキ済リン青銅 PRE-TINNED PHOS-BRO.	08-70-0058	5103PBT	連鎖状 CHAIN
錫メッキ済黄銅 PRE-TINNED BRASS	08-70-0057	5103TL	バラ状 LOOSE
錫メッキ済黄銅 PRE-TINNED BRASS	08-70-0056	5103T	連鎖状 CHAIN
材料 MATERIAL	EDP NO.	ENG. NO.	端子形状 FORM

材料 MATERIAL	表参照 (t=0.203) SEE TABLE
適用電線範囲 WIRE RANGE	AWG#22~28 0.33~0.08mm <sup>2</sup>
被覆外径 INS. RANGE	φ1.15 ~ φ1.9

REVISED	2006/07/31	2006/08/04	2006/08/07
EC NO: J2006-3417	DRWN:KSAIT001	CHKD:MTANAKA	APPR:NUKITA
N			

GENERAL TOLERANCES (UNLESS SPECIFIED)	
10 UNDER	±0.2
10 OVER 30 UNDER	±0.25
30 OVER	±0.3
ANGULAR	±3 °
DRAFT WHERE APPLICABLE MUST REMAIN WITHIN DIMENSIONS	

DIMENSION STYLE MM ONLY	
DRAWN BY K.TOJO	DATE 1990/12/25
CHECKED BY H.HIRAMOTO	DATE 1996/03/04
APPROVED BY M.FUKUSHIMA	DATE 1996/03/04
MATERIAL NO. SEE CHART	
SIZE A3	

SCALE 10:1	DESIGN UNITS METRIC	THIRD ANGLE PROJECTION
TITLE MINI SPOX CRIMP REC		
MOLEX INCORPORATED		
MATERIAL NO. SEE CHART	DOCUMENT NO. SD-5103-002	SHEET NO. 1 OF 1
THIS DRAWING CONTAINS INFORMATION THAT IS PROPRIETARY TO MOLEX INCORPORATED AND SHOULD NOT BE USED WITHOUT WRITTEN PERMISSION		