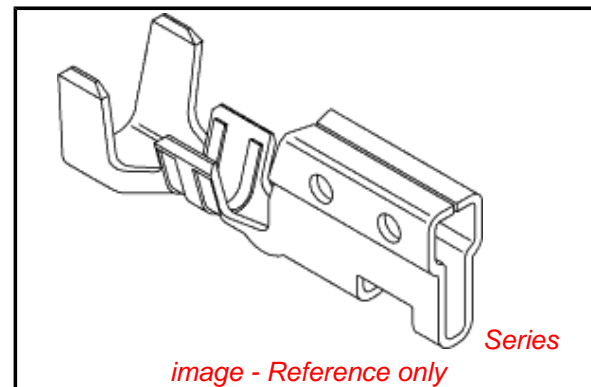


PLEASE CHECK WWW.MOLEX.COM FOR LATEST PART INFORMATION

Part Number: **0008701031**
Status: **Active**
Overview: spox_bmi
Description: SPOX™ Crimp Terminal 5194, 18-24 AWG, Brass, Reel

Documents:

Drawing (PDF)	Product Specification PS-5196-005 (PDF)
Product Specification PS-5096-003 (PDF)	Product Specification PS-5196-006 (PDF)
Product Specification PS-5195-001 (PDF)	Product Specification PS-5197-001 (PDF)
Product Specification PS-5195-002 (PDF)	Product Specification PS-5197-003 (PDF)
Product Specification PS-5195-003 (PDF)	Product Specification PS-5197-004 (PDF)
Product Specification PS-5195-004 (PDF)	Product Specification PS-5198-001 (PDF)
Product Specification PS-5195-005 (PDF)	Product Specification PS-5199-001 (PDF)
Product Specification PS-5195-006 (PDF)	Product Specification PS-5199-002 (PDF)
Product Specification PS-5195-007 (PDF)	Product Specification PS-5199-003 (PDF)
Product Specification PS-5195-009 (PDF)	Product Specification PS-5273-003 (PDF)
Product Specification PS-5195-010 (PDF)	Product Specification PS-5273-004 (PDF)
Product Specification PS-5195-011 (PDF)	Product Specification PS-5278-001 (PDF)
Product Specification PS-5196-001 (PDF)	Product Specification PS-5278-002 (PDF)
Product Specification PS-5196-004 (PDF)	RoHS Certificate of Compliance (PDF)



General

Product Family	Crimp Terminals
Series	5194
Crimp Quality Equipment	Yes
Overview	<u>spox_bmi</u>
Product Name	SPOX™

Physical

Gender	Female
Material - Metal	Brass
Material - Plating Mating	Tin
Material - Plating Termination	Tin
Packaging Type	Reel
Plating min: Mating (µin)	35
Plating min: Mating (µm)	0.88
Plating min: Termination (µin)	35
Plating min: Termination (µm)	0.88
Termination Interface: Style	Crimp or Compression
Wire Insulation Diameter	1.30-3.20mm (.051-.126")
Wire Size AWG	18, 20, 22, 24
Wire Size mm²	N/A

Material Info

Old Part Number	5194T
-----------------	-------

Reference - Drawing Numbers

Packaging Specification	SPK-5194-001
Product Specification	PS-5096-003, PS-5195-001, PS-5195-002, PS-5195-003, PS-5195-004, PS-5195-005, PS-5195-006, PS-5195-007, PS-5195-009, PS-5195-010, PS-5195-011, PS-5196-001, PS-5196-004, PS-5196-005, PS-5196-006, PS-5197-001, PS-5197-003, PS-5197-004, PS-5198-001, PS-5199-001, PS-5199-002, PS-5199-003, PS-5273-003, PS-5273-004,

EU RoHS

ELV and RoHS Compliant
REACH SVHC Contains SVHC: No
Halogen-Free Status
Halogen-Free

China RoHS



Need more information on product environmental compliance?

Email productcompliance@molex.com
 For a multiple part number RoHS Certificate of Compliance, [click here](#)

Please visit the [Contact Us](#) section for any non-product compliance questions.

Search Parts in this Series

5194Series

Use With

5195 , 5196 , 5197 , 5198 , 5199

Application Tooling | FAQ

Tooling specifications and manuals are found by selecting the products below. Crimp Height Specifications are then contained in the Application Tooling Specification document.

Global

Description	Product #
FineAdjust™ Applicator for 3.96mm (.156") Pitch SPOX™ Crimp Terminal, 18-24 AWG	0639005300
T2 Terminator Tooling Die for SPOX™ Crimp	0639105300

Sales Drawing

PS-5278-001, PS-5278-002, RPS-5096-001,
RPS-5195-001, RPS-5196-002, RPS-5196-003,
RPS-5196-004, RPS-5197-001, RPS-5198-003,
RPS-5199-001, RPS-5281-001, RPS-5289-002
SD-5194-001

Terminal, 18-24
AWG
Hand Crimp Tool 0638116500

Japan

Description **Product #**

Applicator for M211A 0011260028

Bench Press, 18-28

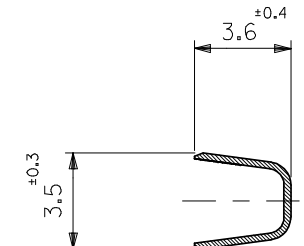
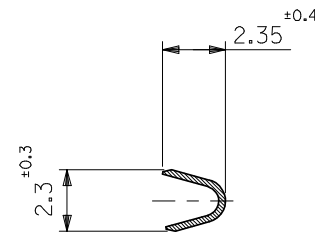
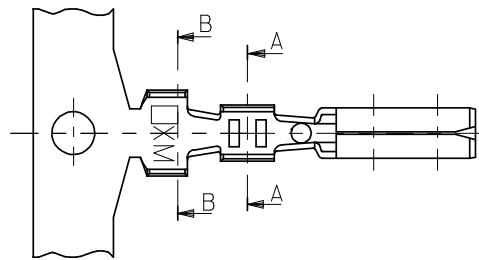
AWG, for 5225 and

5194 Crimp Terminal

Hand Extraction Tool 0011260100

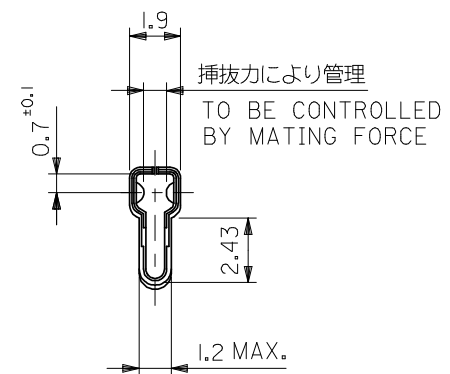
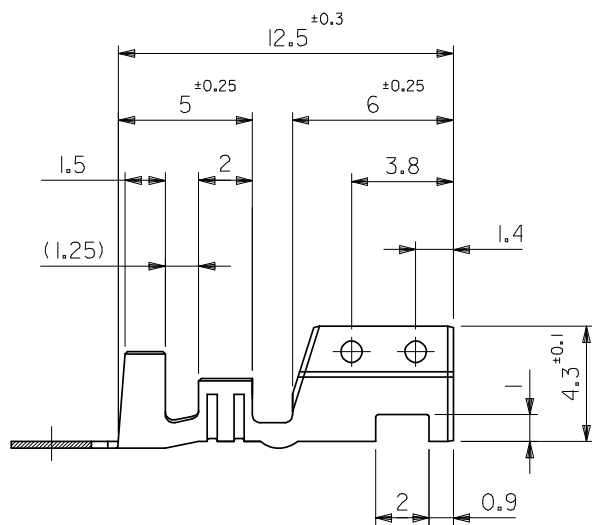
This document was generated on 05/17/2010

PLEASE CHECK WWW.MOLEX.COM FOR LATEST PART INFORMATION



断面 A-A
SECT.A-A

断面 B-B
SECT.B-B



注記
NOTES

1. 適合ハウジング : 5195-N* , 5196-N*
 APPLICABLE HOUSING 5197-N* , 5198-N*
 5199-N*

錫メッキ済リン青銅 PRE-TINNED PHOSPHOR BRONZE	Sn : 0.9 μ MIN	39-00-0022	5194PBT	バラ状 LOOSE
		39-00-0021	5194PBT	連鎖状 CHAIN
錫メッキ済黄銅 PRE-TINNED BRASS	Sn : 0.9 μ MIN, Cu : 0.5 μ MIN	08-70-1030	5194TL	バラ状 LOOSE
		08-70-1031	5194T	連鎖状 CHAIN
材料 MATERIAL	表面処理 FINISH	EDP NO.	ENG. NO.	端子形状 FORM

材料 MATERIAL	表参照 SEE TABLE 板厚: 0.254 (t=0.254)
仕上げ FINISH	表参照 SEE TABLE
適用電線範囲 WIRE RANGE	AWG #18-#24
被覆外径 INS. RANGE	ϕ 1.3 - ϕ 3.2

REVISED EC NO: J2008-3351 DRWN:WABEI 2008/03/24 CHKD:THARUYAMA 2008/03/24 APPR:NUKITA 2008/03/24 REV J	DESCRIPTION	GENERAL TOLERANCES (UNLESS SPECIFIED)
		10 UNDER ± 0.2
		10 OVER 30 UNDER ± 0.25
		30 OVER ± 0.3
		ANGULAR $\pm 3^\circ$
		DRAFT WHERE APPLICABLE MUST REMAIN WITHIN DIMENSIONS

DIMENSION STYLE MM ONLY		SCALE 5:1	DESIGN UNITS METRIC	THIRD ANGLE PROJECTION
DRAWN BY K. HASHIMOTO	DATE '96/05/21	TITLE SPOX CRIMP RECEPTACLE		
CHECKED BY S. KUNISHI	DATE '98/07/07	APPROVED BY M. FUKUSHIMA '98/07/07		
MATERIAL NO. SEE TABLE		DOCUMENT NO. SD-5194-001		SHEET NO. 1 OF 1
THIS DRAWING CONTAINS INFORMATION THAT IS PROPRIETARY TO MOLEX INCORPORATED AND SHOULD NOT BE USED WITHOUT WRITTEN PERMISSION				