

PLEASE CHECK WWW.MOLEX.COM FOR LATEST PART INFORMATION

Part Number: [0855035001](#)
Status: **Active**
Overview: [modular_plugs_jacks](#)
Description: CAT5 JACK 8/8 RA LP TH TRAY
Replacement Part Number: 855055013

Documents:

3D Model	Drawing (PDF)
Application Specification (PDF)	RoHS Certificate of Compliance (PDF)

Agency Certification

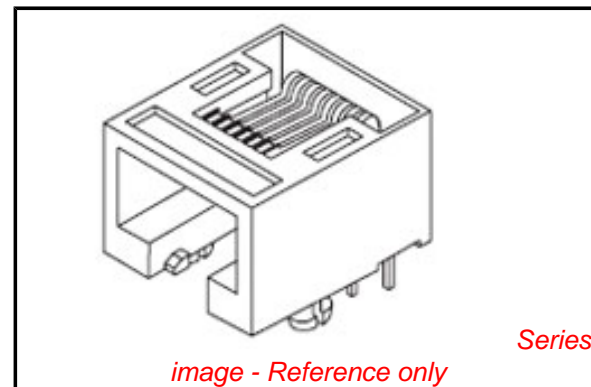
UL E107635

General

Product Family	Modular Jacks/Plugs
Series	85503
Component Type	PCB Jack
Magnetic	No
Overview	modular_plugs_jacks
Performance Category	5e
Power over Ethernet (PoE)	N/A
Product Name	RJ45
Replacement Part Number	855055013

Physical

Boot Color	N/A
Color - Resin	Black
Durability (mating cycles max)	500
Flammability	94V-0
Inverted / Top Latch	No
Lightpipes/LEDs	None
Material - Metal	Phosphor Bronze
Material - Plating Mating	Gold
Material - Plating Termination	Tin
Material - Resin	High Temperature Thermoplastic
Orientation	Right Angle (Side Entry)
PCB Locator	Yes
PCB Retention	Yes
PCB Thickness Recommended (in)	0.062 In
PCB Thickness Recommended (mm)	1.57 mm
Packaging Type	Tray
Pitch - Mating Interface (in)	0.040 In
Pitch - Mating Interface (mm)	1.02 mm
Pitch - Term. Interface (in)	0.050 In
Pitch - Term. Interface (mm)	1.27 mm
Plating min: Mating (µin)	50.8
Plating min: Mating (µm)	1.27
Plating min: Termination (µin)	76
Plating min: Termination (µm)	1.9
Ports	1
Positions / Loaded Contacts	8/8
Surface Mount Compatible (SMC)	Yes
Temperature Range - Operating	-40°C to +80°C
Termination Interface: Style	Through Hole
Waterproof / Dustproof	No



EU RoHS

ELV and RoHS Compliant
REACH SVHC Contains SVHC: No
Halogen-Free Status

China RoHS



Need more information on product environmental compliance?

Email productcompliance@molex.com
 For a multiple part number RoHS Certificate of Compliance, [click here](#)

Please visit the [Contact Us](#) section for any non-product compliance questions.

Search Parts in this Series
[85503Series](#)

Wire/Cable Type	N/A
Electrical	
Current - Maximum per Contact	1.5A
Shielded	No
Voltage - Maximum	125V DC

Solder Process Data

Duration at Max. Process Temperature (seconds)	5
Lead-free Process Capability	Wave Capable (TH only)
Max. Cycles at Max. Process Temperature	1
Process Temperature max. C	260

Material Info

Reference - Drawing Numbers

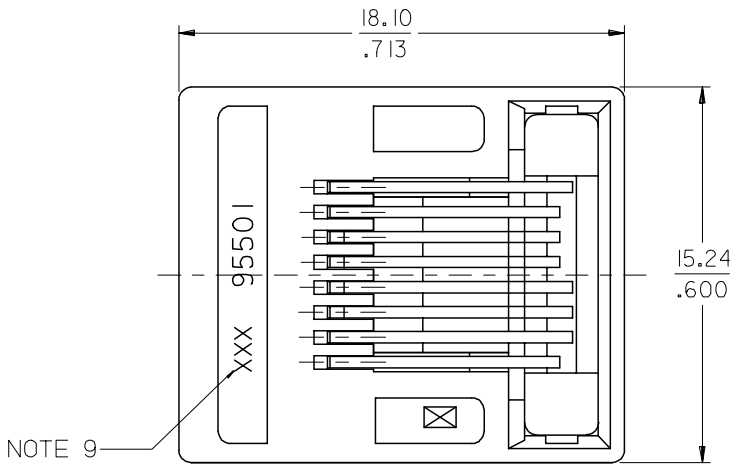
Product Specification	RPS-85503-002
Sales Drawing	SD-85503-101
Test Summary	STR-1181

This document was generated on 06/07/2010

PLEASE CHECK WWW.MOLEX.COM FOR LATEST PART INFORMATION

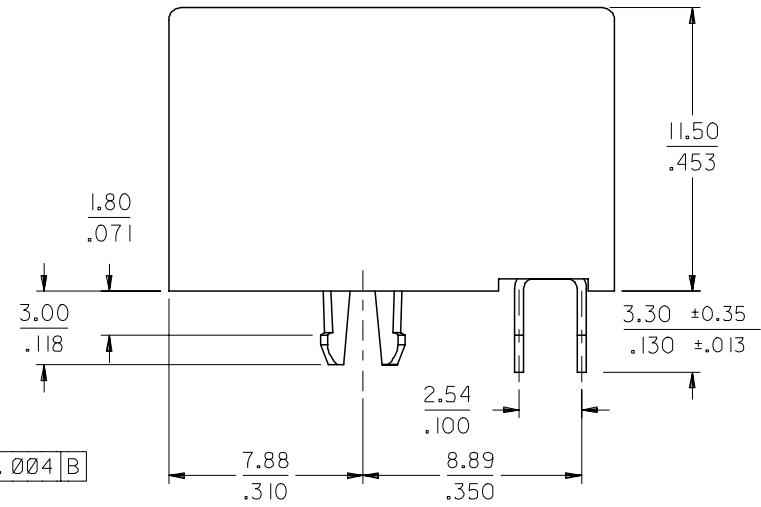
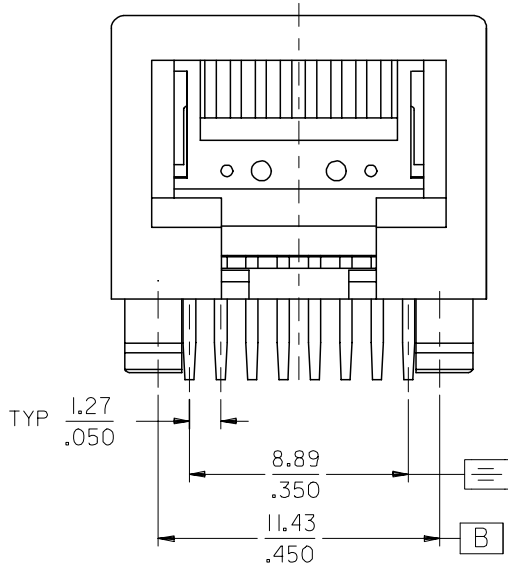
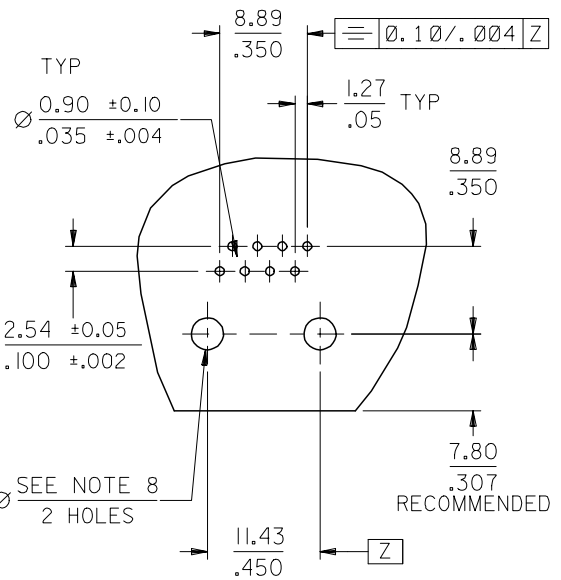
NOTES :

- 1- MATERIAL:
 - HOUSING: L C P FIBER GLASS FILLED UL 94-V0, COLOR BLACK.
 - TERMINAL: PHOSPHOR BRONZE.
 - PLATING 2:
 - POST PLATE 0.00127-0.00152/.000050-.000060 GOLD IN CONTACT AREA
 - 0.00190/.000075 MIN. PURE TIN IN TAIL AREA, BOTH OVER
 - 0.00127/.000050 MIN. NICKEL OVERALL.
- 2- JACK FOR MATING WITH F.C.C.68 PLUGS (90075 MOLEX SERIES).
- 3- PRODUCT SPECIFICATION PS-85503-001
- 4- APPLICATION SPECIFICATION AS-85513-001
- 5- PACKAGING SPECIFICATION PK-95001: STANDARD PACKAGING SHEET I.
- 6- EXCEEDS CATEGORY 5E PERFORMANCE.
- 7- PC BOARD THICKNESS: 1.57/.062
- 8- CONVECTION SOLDERING DIA 3.25±0.05/.128±.002,
WAVE SOLDERING DIA 3.2±0.1/.126±.004
- 9- MANUFACTURING I.D. CAN BE MXF, MG OR MXI.



P.C.B. MOUNTING PATTERNS
(SEE FROM COMPONENT SIDE)

SCALE 2:1



UPDATED NOTES EC NO: E2008-0057 DRWN: DBYRNES CHKD: APPR: EOMAHONY	2007/08/03 2007/08/03 2007/08/07	DESCRIPTION QUALITY SYMBOLS ▽=0 ▽=0	GENERAL TOLERANCES (UNLESS SPECIFIED)		DIMENSION STYLE		SCALE	DESIGN UNITS	THIRD ANGLE PROJECTION			
					MM/IN		5:1	METRIC				
							DRAWN BY DATE		TITLE			
							CHECKED BY DATE		HIGH SPEED MODULAR JACK RIGHT ANGLE LOW PROFILE THROUGH HOLE 8 CIRCUIT			
				APPROVED BY DATE		MATERIAL NO.		DOCUMENT NO.		SHEET NO.		
				ANGULAR ±1/2°		85503-5001		SD-85503-101		1 OF 1		
				DRAFT WHERE APPLICABLE MUST REMAIN WITHIN DIMENSIONS		THIS DRAWING CONTAINS INFORMATION THAT IS PROPRIETARY TO MOLEX INCORPORATED AND SHOULD NOT BE USED WITHOUT WRITTEN PERMISSION						