

PLEASE CHECK WWW.MOLEX.COM FOR LATEST PART INFORMATION

Part Number: [0906633301](#)
Status: **Active**
Description: 2.54mm (.100") Pitch QF-50™ Right Angle, MIL Keying with Latch/Eject Levers, Shrouded Header, 30 Circuits

Documents:

[3D Model](#) [Product Specification PS-99020-0015 \(PDF\)](#)
[Drawing \(PDF\)](#) [RoHS Certificate of Compliance \(PDF\)](#)

Agency Certification

CSA LR19980
 UL E29179

General

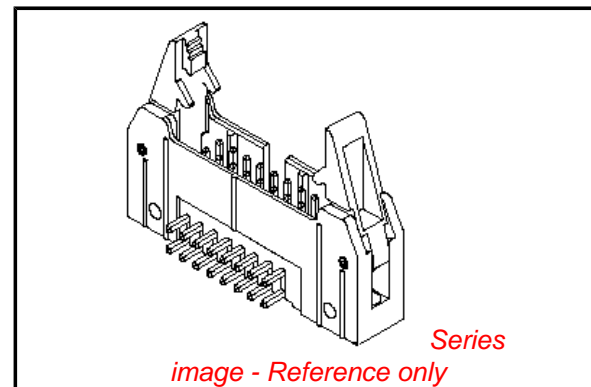
Product Family Ribbon Cable / Wire Trap Connectors
 Series [90663](#)
 Comments MIL/DIN Compliance
 Component Type PCB Header
 Glow-Wire Compliant No
 Product Name QF-50™

Physical

Circuits (Loaded) 30
 Color - Resin Black
 Durability (mating cycles max) 300
 Entry Angle 90° Angle
 Flammability 94V-0
 Lock to Mating Part None
 Material - Metal Brass
 Material - Plating Mating Gold
 Material - Plating Termination Tin
 Material - Resin Polyester
 Number of Rows 2
 PCB Retention None
 PCB Thickness Recommended (in) 0.062 In
 PCB Thickness Recommended (mm) 1.60 mm
 Packaging Type Tray
 Pitch - Mating Interface (in) 0.100 In
 Pitch - Mating Interface (mm) 2.54 mm
 Plating min: Mating (µin) 4
 Plating min: Mating (µm) 0.1
 Plating min: Termination (µin) 118
 Plating min: Termination (µm) 3
 Polarized to PCB No
 Shrouded Fully
 Stackable No
 Surface Mount Compatible (SMC) No
 Temperature Range - Operating -25°C to +85°C
 Termination Interface: Style Through Hole
 Wire Insulation Diameter N/A
 Wire Size AWG N/A
 Wire/Cable Type Ribbon Cable

Electrical

Current - Maximum per Contact 2.5A
 Voltage - Maximum 250V AC/DC



EU RoHS

ELV and RoHS Compliant
REACH SVHC
 Not Reviewed
Halogen-Free Status
Not Reviewed

China RoHS



Need more information on product environmental compliance?

Email productcompliance@molex.com
 For a multiple part number RoHS Certificate of Compliance, [click here](#)

Please visit the [Contact Us](#) section for any non-product compliance questions.

Search Parts in this Series

[90663Series](#)

Mates With

[90635](#)

Solder Process Data

Lead-free Process Capability

Wave Capable (TH only)

Material Info**Reference - Drawing Numbers**

Product Specification

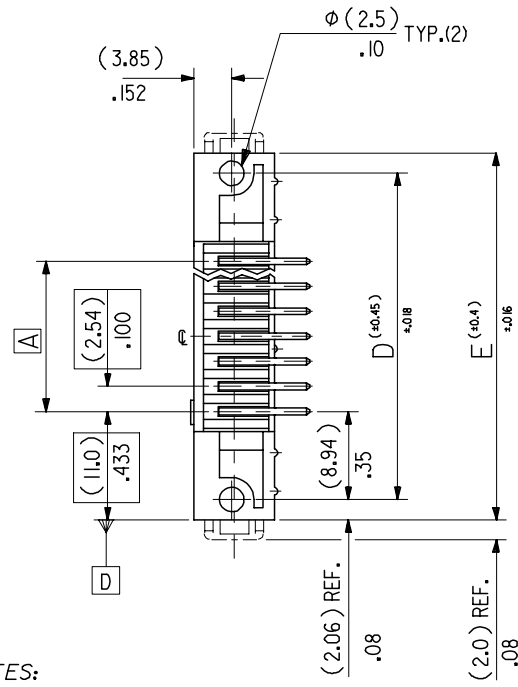
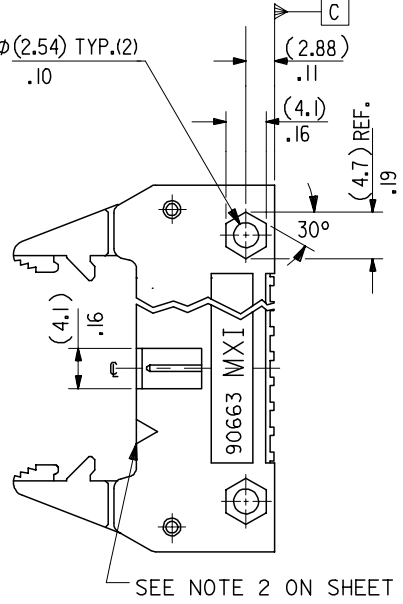
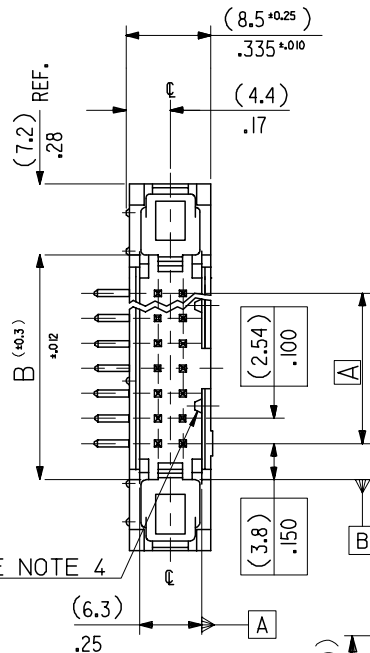
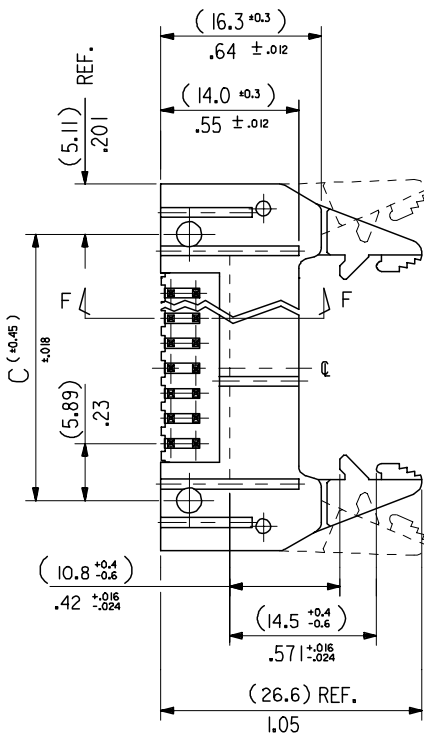
PS-99020-0015

Sales Drawing

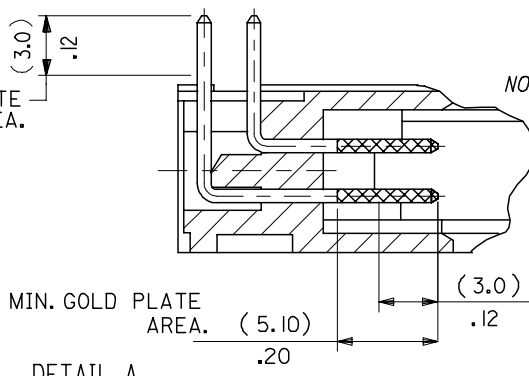
SDA-90663E

This document was generated on 03/16/2010

PLEASE CHECK WWW.MOLEX.COM FOR LATEST PART INFORMATION

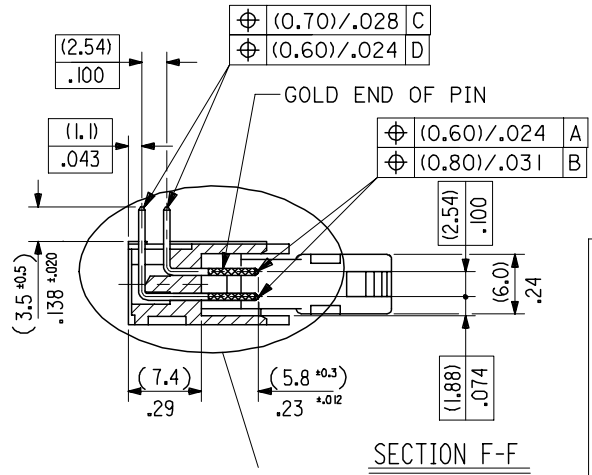


MIN. TIN PLATE AREA.



- NOTES:
- 1: FOR MATERIAL SPECIFICATION SEE NOTE 1 ON SHEET 4.
 - 2: FOR RECOMMENDED P.C.B. HOLE PATTERN, PART No's AND UNSTATED DIMENSIONS SEE SHEET 4.
 - 3: PRODUCT SPEC.No. : PS-99020-0015.
 - 4: THIS RIB IS NOT PRESENT ON 10 & 14 CKT PARTS

DETAIL A
DIMENSIONS FOR SELECTIVE PLATING'S, SCALE 4:1



ADDED SHT 9	DESCRIPTION
EC NO: E2007-0243	DRWN:DMASZKI,EWI/CZ 2007/01/10
CHKD:J.DENNEHY 2007/01/22	APPR: J.DENNEHY 2007/01/23

QUALITY SYMBOLS	▽=0
	∇=0
GENERAL TOLERANCES (UNLESS SPECIFIED)	mm
	INCH
DRAFT WHERE APPLICABLE MUST REMAIN WITHIN DIMENSIONS	4 PLACES ± --- ± ---
	3 PLACES ± --- ±.008
	2 PLACES ± 0.20 ±.008
	1 PLACE ± 0.20 ± ---
	ANGULAR ± 2 °

DRAWN BY		DATE	
POB		1990/11/07	
CHECKED BY		DATE	
J.DENNEHY		2004/11/24	
APPROVED BY		DATE	
J.DENNEHY		2004/11/24	
MATERIAL NO.		DOCUMENT NO.	
SEE SHEET 4		SDA-90663E	

SCALE	DESIGN UNITS	THIRD ANGLE PROJECTION
2:1	METRIC	
TITLE		
QF50 SRD HDR RA KEY W/ELV		
MATERIAL NO.		
DOCUMENT NO.		
SHEET NO.		
3 OF 9		

MOLEX INCORPORATED
THIS DRAWING CONTAINS INFORMATION THAT IS PROPRIETARY TO MOLEX INCORPORATED AND SHOULD NOT BE USED WITHOUT WRITTEN PERMISSION

(78.74)/3.100	(86.34)/3.400	(90.52)/3.564	(96.62)/3.804	(100.74)/3.966	90663-3641	90663-3642	90663-3643		64
(73.66)/2.900	(81.26)/3.200	(85.44)/3.364	(91.54)/3.604	(95.66)/3.766	↑ -3601	↑ -3602	↑ -3603		60
(60.96)/2.400	(68.56)/2.700	(72.74)/2.864	(78.84)/3.104	(82.96)/3.266	-3501	-3502	-3503	90663-3509	50
(48.26)/1.900	(55.86)/2.200	(60.04)/2.364	(66.14)/2.604	(70.26)/2.766	-3401	-3402	-3403	↑ -3409	40
(40.64)/1.600	(48.24)/1.900	(52.42)/2.064	(58.52)/2.304	(62.64)/2.466	-3341	-3342	-3343	-3349	34
(35.56)/1.400	(43.16)/1.700	(47.34)/1.864	(53.44)/2.104	(57.56)/2.266	-3301	-3302	-3303	-3309	30
(30.48)/1.200	(38.08)/1.500	(42.26)/1.664	(48.36)/1.904	(52.48)/2.066	-3261	-3262	-3263	-3269	26
(22.86)/.900	(30.46)/1.200	(34.64)/1.364	(40.74)/1.604	(44.86)/1.766	-3201	-3202	-3203	-3209	20
(17.78)/.700	(25.38)/1.000	(29.56)/1.164	(35.66)/1.404	(39.78)/1.566	-3161	-3162	-3163	-3169	16
(15.24)/.600	(22.84)/.900	(27.02)/1.064	(33.12)/1.304	(37.24)/1.466	↓ -3141	↓ -3142	↓ -3143	↓ -3149	14
(10.16)/.400	(17.76)/.700	(21.94)/.864	(28.04)/1.104	(32.16)/1.266	90663-3101	90663-3102	90663-3103	90663-3109	10
A	B	C	D	E	ENG. NO. GSI PLATING	ENG. NO. GS2 PLATING	ENG. NO. GS3 PLATING	ENG. NO. PRE TIN	NO.OF CKTS.

NOTES

1.MATERIAL

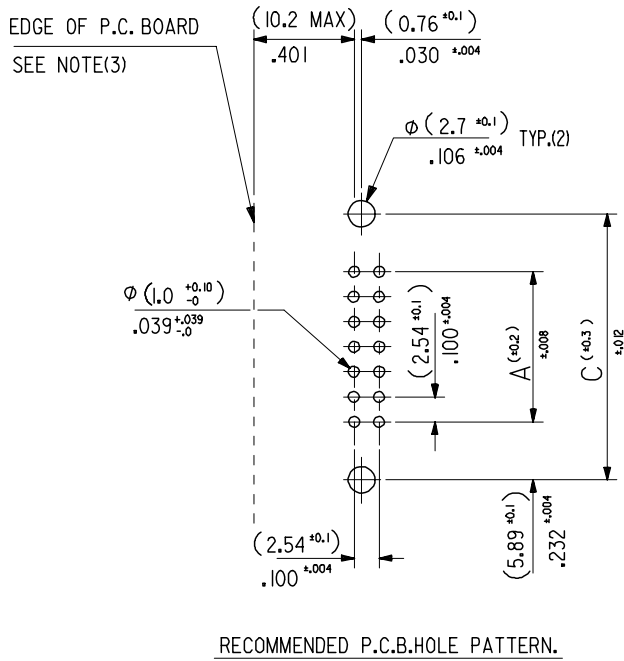
HEADER : GLASS FILLED POLYESTER (UL 94V0), COLOUR - BLACK.
 PINS : BRASS SIZE \square (0.635)/.025 .
 LEVER : GLASS FILLED POLYESTER (UL 94V0), COLOUR - BLACK.
 SPRING PINS : STEEL

2.COLOUR IDENTIFICATION MARK FOR PLATING OPTIONS.

90663-3**1, (1um)/.039uin MIN. NICKEL UNDERPLATE. CONTACT AREA
 GSI PLATING (0.1um)/.004uin MIN. GOLD. SOLDER AREA (3um)/.118uin MIN.
 TIN. COLOUR MARK: YELLOW.
 90663-3**2, (1um)/.039uin MIN. NICKEL UNDERPLATE. CONTACT AREA
 GS2 PLATING (0.76um)/.030uin MIN. GOLD. SOLDER AREA (3um)/.118uin MIN.
 TIN. COLOUR MARK: BROWN.
 90663-3**3, (1um)/.039uin MIN. NICKEL UNDERPLATE. CONTACT AREA
 GS3 PLATING (0.25um)/.010uin MIN. GOLD. SOLDER AREA (3um)/.118uin MIN.
 TIN. COLOUR MARK: BLUE.
 90663-3**9, (0.5-1um)/.020-.040uin NICKEL UNDER (1.0-3.0um)/.039-.118uin TIN.
 PRE-TIN COLOUR MARK: BLACK, (NO MARK).

3. 10.2mm MAX.TO EDGE OF PCB FOR DAISY CHAIN APPLICATIONS.

4. RECOMMENDED PCB THICKNESS 1.6mm



ADDED NOTE 4 EC NO: E2008-0129 DRWN: OBYRNES 2007/09/13 CHKD: 2007/09/13 APPR: EOMAHONY 2007/09/14	QUALITY SYMBOLS	GENERAL TOLERANCES (UNLESS SPECIFIED)	DIMENSION STYLE	SCALE	DESIGN UNITS	THIRD ANGLE PROJECTION
	$\nabla = 0$ $\triangle = 0$	mm INCH 4 PLACES \pm --- \pm --- 3 PLACES \pm --- $\pm .008$ 2 PLACES ± 0.20 $\pm .008$ 1 PLACE ± 0.20 \pm --- ANGULAR $\pm 2^\circ$	MM/IN	2:1	METRIC	DRAWN BY: POB DATE: 1990/11/07 CHECKED BY: DATE: TITLE: QF50 SRD HDR RA KEY W/ELV ROC: DATE: 2000/10/04 APPROVED BY: DATE: MOLEX INCORPORATED MW: DATE: 2000/10/04
	DRAFT WHERE APPLICABLE MUST REMAIN WITHIN DIMENSIONS	MATERIAL NO. DOCUMENT NO. SHEET NO. SEE CHART SDA-90663E 4 OF 9				
	SIZE A3	THIS DRAWING CONTAINS INFORMATION THAT IS PROPRIETARY TO MOLEX INCORPORATED AND SHOULD NOT BE USED WITHOUT WRITTEN PERMISSION				