

PLEASE CHECK WWW.MOLEX.COM FOR LATEST PART INFORMATION

Part Number: **0039288120**
Status: **Active**
Overview: [minifit_jr](#)
Description: 4.20mm (.165") Pitch Mini-Fit Jr.™ Header, Dual Row, Vertical, without Snap-in Plastic Peg PCB Lock, 12 Circuits, PA Polyamide Nylon 6/6 94V-0, Tin (Sn) Plating, without Drain Holes

Documents:

[3D Model](#)
[Drawing \(PDF\)](#)

[RoHS Certificate of Compliance \(PDF\)](#)

Agency Certification

| | |
|-----|-----------|
| CSA | LR19980 |
| TUV | R72081037 |
| UL | E29179 |

General

| | |
|----------------|--|
| Product Family | PCB Headers |
| Series | 5566 |
| Application | Wire-to-Board |
| Comments | Current = 13A max. per circuit when header is mated to a receptacle loaded with 45750 Mini-Fit Plus HCS™ Crimp Terminal Crimped to to 16 AWG wire. . See Molex product specification PS-45750-001 for additional current de-rating information.. Glow Wire Equivalent Part Number 50361886 . Square Pin, Solder Type |
| Overview | minifit_jr |
| Product Name | Mini-Fit Jr.™ |

Physical

| | |
|--------------------------------|----------|
| Breakaway | No |
| Circuits (Loaded) | 12 |
| Circuits (maximum) | 12 |
| Color - Resin | Natural |
| Durability (mating cycles max) | 30 |
| First Mate / Last Break | No |
| Flammability | 94V-0 |
| Glow-Wire Compliant | No |
| Guide to Mating Part | No |
| Keying to Mating Part | None |
| Lock to Mating Part | Yes |
| Material - Metal | Brass |
| Material - Plating Mating | Tin |
| Material - Plating Termination | Tin |
| Material - Resin | Nylon |
| Number of Rows | 2 |
| Orientation | Vertical |
| PC Tail Length (in) | 0.138 In |
| PC Tail Length (mm) | 3.50 mm |
| PCB Locator | Yes |
| PCB Retention | None |
| PCB Thickness Recommended (in) | 0.062 In |
| PCB Thickness Recommended (mm) | 1.60 mm |
| Packaging Type | Bag |
| Pitch - Mating Interface (in) | 0.165 In |
| Pitch - Mating Interface (mm) | 4.20 mm |

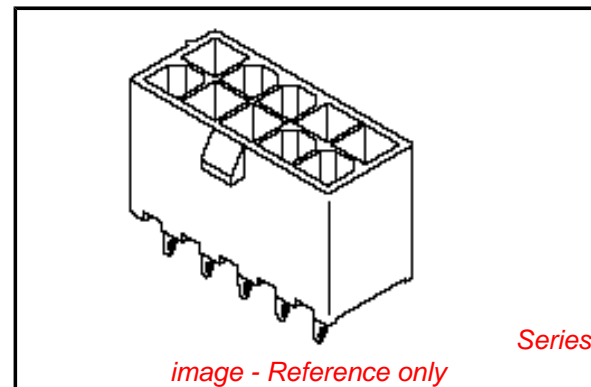


image - Reference only

EU RoHS

ELV and RoHS Compliant
REACH SVHC Contains SVHC: No
Halogen-Free Status
Halogen-Free

China RoHS



Need more information on product environmental compliance?

Email productcompliance@molex.com
 For a multiple part number RoHS Certificate of Compliance, [click here](#)

Please visit the [Contact Us](#) section for any non-product compliance questions.

Search Parts in this Series

[5566Series](#)

Mates With

[5557](#) Mini-Fit Jr.™ Receptacle Housing

| | |
|--------------------------------------|-----------------|
| Pitch - Term. Interface (in) | 0.165 In |
| Pitch - Term. Interface (mm) | 4.20 mm |
| Plating min: Mating (μ in) | 35 |
| Plating min: Mating (μ m) | 0.90 |
| Plating min: Termination (μ in) | 100 |
| Plating min: Termination (μ m) | 2.50 |
| Polarized to Mating Part | Yes |
| Polarized to PCB | Yes |
| Shrouded | Fully |
| Stackable | No |
| Surface Mount Compatible (SMC) | No |
| Temperature Range - Operating | -40°C to +105°C |
| Termination Interface: Style | Through Hole |

Electrical

| | |
|-------------------------------|------|
| Current - Maximum per Contact | 13A |
| Voltage - Maximum | 600V |

Material Info

| | |
|-----------------|--------------|
| Old Part Number | 5566-12A-210 |
|-----------------|--------------|

Reference - Drawing Numbers

| | |
|-------------------------|-----------------------------|
| Packaging Specification | PK-5566, SPK-5566-002 |
| Product Specification | RPS-5557-036, RPS-5557-058 |
| Sales Drawing | SD-5566-002, SD-5566-NA**-* |

This document was generated on 05/21/2010

PLEASE CHECK WWW.MOLEX.COM FOR LATEST PART INFORMATION

| CIRCUIT SIZE | DIM. "A" | DIM. "B" |
|--------------|----------------|----------------|
| 2 | .21 (5.4) | — |
| 4 | .38 (9.6) | .17 (4.2) |
| 6 | .54 (13.8) | .33 (8.4) |
| 8 | .71 (18.0) | .50 (12.6) |
| 10 | .87 (22.2) | .66 (16.8) |
| 12 | 1.04 (26.4) | .83 (21.0) |
| 14 | 1.20 (30.6) | .99 (25.2) |
| 16 | 1.37 (34.8) | 1.16 (29.4) |
| 18 | 1.54 (39.0) | 1.32 (33.6) |
| 20 | 1.70 (43.2) | 1.49 (37.8) |
| 22 | 1.87 (47.4) | 1.65 (42.0) |
| 24 | 2.03 (51.6) | 1.82 (46.2) |

LEGEND

BASE NUMBER 5566 - N * * * * - * * *

CIRCUIT SIZE _____

ASS'Y TYPE _____

A : WITHOUT DRAIN HOLES
B : WITH DRAIN HOLES

TERMINAL MATERIAL _____
SEE NOTE 1

TERMINAL PLATING _____
SEE NOTE 2

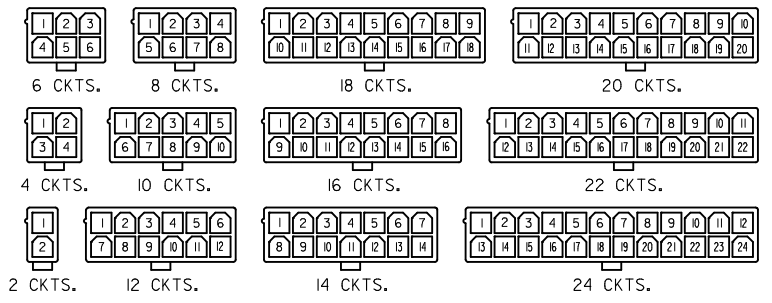
HOUSING MATERIAL _____
SEE NOTE 1

COLOR OR PACKAGING _____

BL : BLACK RE : RED GR : GRAY
BU : BLUE YE : YELLOW GRE : GREEN
TA : TRAY PACKAGING SEE NOTE 4

NOTES:

- MATERIALS:**
HOUSING:
"BLANK"=NYLON 6/6, UL94V-2, COLOR: NATURAL
"210"=NYLON 6/6, UL94V-0, COLOR: NATURAL
"400"=NYLON 6/6, UL94V-0, COLOR: BLACK
TERMINALS:
"BLANK" = BRASS
"PB" = PHOSPHOR BRONZE
- TERMINAL PLATING:**
"BLANK" = BRIGHT TIN 000035/(0.00090) MIN.
OVER COPPER .000020/(0.00050) MIN. (BRASS)
TIN .000035/(0.00090) MIN. REFLOW TREATMENT
OR BRIGHT TIN .000035/(0.00090) MIN. (PHOSPHOR BRONZE)
"S"=.000100/(0.00254) MIN. BRIGHT TIN OVER
.000050/(0.00127) MIN NICKEL
"GS2"=.000015/(0.00038) MIN. SELECT GOLD AND
.000100/(0.00254) MIN. SELECT MATTE TIN
OVER .000050/(0.00127) MIN. NICKEL OVERALL
"GS"=.000030/(0.00076) MIN. SELECT GOLD AND
.000100/(0.00254) MIN. SELECT MATTE TIN
OVER .000050/(0.00127) MIN. NICKEL OVERALL
- PRODUCT SPECIFICATION:** PS-5556-001
- PACKAGING:** "BLANK"= BULK PACKED, "TA"=TRAY PACK PER PK-5566-001
- PART MATES WITH MINI-FIT JR. RECEPTACLE NO. 5557.
- PART IS NOT DESIGNED FOR CURRENT SHARING.
- PARTS ARE NOT DESIGNED TO BE MATED OR UN-MATED WHILE CIRCUITS ARE LIVE.
- ANTI-SHINGLING RIB MAY OR MAY NOT APPEAR ON HOUSINGS.
- PART CONFORMS TO CLASS "B" REQUIREMENTS OF COSMETIC SPECIFICATION PS-45499-002.




CIRCUIT SIZE LAYOUT



| CORRECTED PN EC NO: UCP2010-2614 DRWNG: JAGUILAR 2010/04/09 CHKD: J.BELL '94/04/20 APPR: FSMITH 2010/04/14 REV: L3 | QUALITY SYMBOLS ▽=0 ▽=0 ▽=0 | GENERAL TOLERANCES (UNLESS SPECIFIED) <table border="1"> <thead> <tr> <th></th> <th>mm</th> <th>INCH</th> </tr> </thead> <tbody> <tr> <td>4 PLACES ± ---</td> <td>± ---</td> <td>± ---</td> </tr> <tr> <td>3 PLACES ± ---</td> <td>± .005</td> <td>± .005</td> </tr> <tr> <td>2 PLACES ± .13</td> <td>± .010</td> <td>± .010</td> </tr> <tr> <td>1 PLACE ± .25</td> <td>± ---</td> <td>± ---</td> </tr> </tbody> </table> | | mm | INCH | 4 PLACES ± --- | ± --- | ± --- | 3 PLACES ± --- | ± .005 | ± .005 | 2 PLACES ± .13 | ± .010 | ± .010 | 1 PLACE ± .25 | ± --- | ± --- | DIMENSION STYLE IN/MM | SCALE 4:1 | DESIGN UNITS METRIC | THIRD ANGLE PROJECTION |
|--|---|---|--|----|------|----------------|-------|-------|----------------|--------|--------|----------------|--------|--------|---------------|-------|-------|---------------------------------|---------------------|-------------------------------|-------------------------------|
| | | mm | INCH | | | | | | | | | | | | | | | | | | |
| | 4 PLACES ± --- | ± --- | ± --- | | | | | | | | | | | | | | | | | | |
| 3 PLACES ± --- | ± .005 | ± .005 | | | | | | | | | | | | | | | | | | | |
| 2 PLACES ± .13 | ± .010 | ± .010 | | | | | | | | | | | | | | | | | | | |
| 1 PLACE ± .25 | ± --- | ± --- | | | | | | | | | | | | | | | | | | | |
| DRAFT WHERE APPLICABLE MUST REMAIN WITHIN DIMENSIONS | APPROVED BY M.FUKUSHIMA '94/04/20 | DATE '89/04/03 | NEW MINI FIT CONNECTOR HEADER HOUSING ASS'Y -LEAD FREE- | | | | | | | | | | | | | | | | | | |
| SEE TABLE | MATERIAL NO. DOCUMENT NO. | DATE '94/04/20 | MOLEX INCORPORATED SD-5566-002 | | | | | | | | | | | | | | | | | | |

| | 10 | 9 | 8 | 7 | 6 | 5 | 4 | 3 | 2 | 1 | |
|---------------|----------------|----------------|-----------------|-----------------|----------------|----------------|---------------|---------------|--------------|--------------|----|
| F | 39-29-5247 | 5566-24APB-210 | 39-30-9245 | 5566-24AGS2-210 | 39-29-6248 | 5566-24AGS-210 | 39-30-6242 | 5566-24AS-210 | 39-28-8240 | 5566-24A-210 | 24 |
| | ▲ -5227 | ▲ -22APB-210 | ▲ -9225 | ▲ -22AGS2-210 | ▲ -6228 | ▲ -22AGS-210 | ▲ -6222 | ▲ -22AS-210 | ▲ -8220 | ▲ -22A-210 | 22 |
| | -5207 | -20APB-210 | -9205 | -20AGS2-210 | -6208 | -20AGS-210 | -6202 | -20AS-210 | -8200 | -20A-210 | 20 |
| | -5187 | -18APB-210 | -9185 | -18AGS2-210 | -6188 | -18AGS-210 | -6182 | -18AS-210 | -8180 | -18A-210 | 18 |
| | -5167 | -16APB-210 | -9165 | -16AGS2-210 | -6168 | -16AGS-210 | -6162 | -16AS-210 | -8160 | -16A-210 | 16 |
| | -5147 | -14APB-210 | -9145 | -14AGS2-210 | -6148 | -14AGS-210 | -6142 | -14AS-210 | -8140 | -14A-210 | 14 |
| | -5127 | -12APB-210 | -9125 | -12AGS2-210 | -6128 | -12AGS-210 | -6122 | -12AS-210 | -8120 | -12A-210 | 12 |
| | -5107 | -10APB-210 | -9105 | -10AGS2-210 | -6108 | -10AGS-210 | -6102 | -10AS-210 | -8100 | -10A-210 | 10 |
| | -5087 | -08APB-210 | -9085 | -08AGS2-210 | -6088 | -08AGS-210 | -6082 | -08AS-210 | -8080 | -08A-210 | 8 |
| | -5067 | -06APB-210 | -9065 | -06AGS2-210 | -6068 | -06AGS-210 | -6062 | -06AS-210 | -8060 | -06A-210 | 6 |
| ▼ -5047 | ▼ -04APB-210 | ▼ -9045 | ▼ -04AGS2-210 | ▼ -6048 | ▼ -04AGS-210 | ▼ -6042 | ▼ -04AS-210 | ▼ -8040 | ▼ -04A-210 | 4 | |
| 39-29-5027 | 5566-02APB-210 | 39-30-9025 | 5566-02AGS2-210 | 39-29-6028 | 5566-02AGS-210 | 39-30-6022 | 5566-02AS-210 | 39-28-8020 | 5566-02A-210 | 2 | |
| EDP NO. | ENG. NO. | EDP NO. | ENG. NO. | EDP NO. | ENG. NO. | EDP NO. | ENG. NO. | EDP NO. | ENG. NO. | CKT. SIZE | |
| 5566-NAPB-210 | | 5566-NAGS2-210 | | 5566-NAGS-210 | | 5566-NAS-210 | | 5566-NA-210 | | | |
| 39-29-5246 | 5566-24APB | 39-30-9244 | 5566-24AGS2 | 39-29-0243 | 5566-24AGS | 39-30-6241 | 5566-24AS | 39-28-1243 | 5566-24A | 24 | |
| ▲ -5226 | ▲ -22APB | ▲ -9224 | ▲ -22AGS2 | ▲ -0223 | ▲ -22AGS | ▲ -6221 | ▲ -22AS | ▲ -1223 | ▲ -22A | 22 | |
| -5206 | -20APB | -9204 | -20AGS2 | -0203 | -20AGS | -6201 | -20AS | -1203 | -20A | 20 | |
| -5186 | -18APB | -9184 | -18AGS2 | -0183 | -18AGS | -6181 | -18AS | -1183 | -18A | 18 | |
| -5166 | -16APB | -9164 | -16AGS2 | -0163 | -16AGS | -6161 | -16AS | -1163 | -16A | 16 | |
| -5146 | -14APB | -9144 | -14AGS2 | -0143 | -14AGS | -6141 | -14AS | -1143 | -14A | 14 | |
| -5126 | -12APB | -9124 | -12AGS2 | -0123 | -12AGS | -6121 | -12AS | -1123 | -12A | 12 | |
| -5106 | -10APB | -9104 | -10AGS2 | -0103 | -10AGS | -6101 | -10AS | -1103 | -10A | 10 | |
| -5086 | -08APB | -9084 | -08AGS2 | -0083 | -08AGS | -6081 | -08AS | -1083 | -08A | 8 | |
| -5066 | -06APB | -9064 | -06AGS2 | -0063 | -06AGS | -6061 | -06AS | -1063 | -06A | 6 | |
| ▼ -5046 | ▼ -04APB | ▼ -9044 | ▼ -04AGS2 | ▼ -0043 | ▼ -04AGS | ▼ -6041 | ▼ -04AS | ▼ -1043 | ▼ -04A | 4 | |
| 39-29-5026 | 5566-02APB | 39-30-9024 | 5566-02AGS2 | 39-29-0023 | 5566-02AGS | 39-30-6021 | 5566-02AS | 39-28-1023 | 5566-02A | 2 | |
| EDP NO. | ENG. NO. | EDP NO. | ENG. NO. | EDP NO. | ENG. NO. | EDP NO. | ENG. NO. | EDP NO. | ENG. NO. | CKT. SIZE | |
| 5566-NAPB | | 5566-NAGS2 | | 5566-NAGS | | 5566-NAS | | 5566-NA | | | |

PARTS WITH OUT DRAIN HOLES

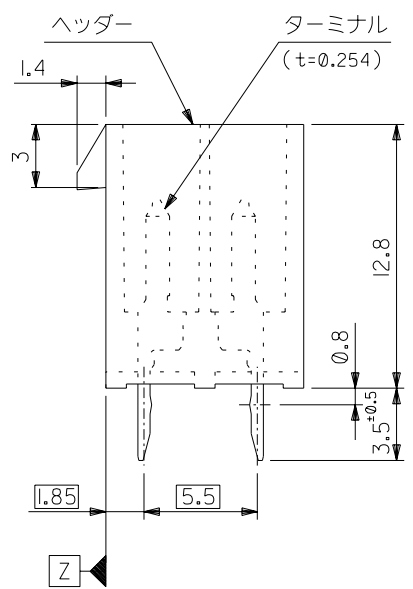
| | | | | | | | | |
|--|---------------------------------------|--|-----------------------------|-----------------------------|---|------------------------|----------------------------------|--|
| REVISED EC NO: UCP2010-1083 DRWN: J.AGUILAR 2010/02/05 CHKD: J.BELL 2010/02/08 APPR: F.S.MITH 2010/02/10 | GENERAL TOLERANCES (UNLESS SPECIFIED) | | DIMENSION STYLE IN/MM | | SCALE --- | DESIGN UNITS METRIC | THIRD ANGLE PROJECTION | |
| | 10 UNDER | ± --- | DRAWN BY H. HIRAMOTO | DATE '89/04/03 | TITLE NEW MINI FIT CONNECTOR HEADER HOUSING ASS'Y -LEAD FREE- | | | |
| | 10 OVER 30 UNDER | ± --- | CHECKED BY M. FUKUSHIMA | DATE '94/04/20 | | | | |
| | 30 OVER | ± --- | APPROVED BY M. FUKUSHIMA | DATE '94/04/20 |  MOLEX INCORPORATED | | MATERIAL NO. SEE TABLE | |
| ANGULAR ± --- ° | | DRAFT WHERE APPLICABLE MUST REMAIN WITHIN DIMENSIONS | | DOCUMENT NO. SD-5566-002 | SHEET NO. 2 OF 6 | | | |



| | | |
|------|------|----|
| 51.6 | 46.2 | 24 |
| 47.4 | 42 | 22 |
| 43.2 | 37.8 | 20 |
| 39 | 33.6 | 18 |
| 34.8 | 29.4 | 16 |
| 30.6 | 25.2 | 14 |
| 26.4 | 21 | 12 |
| 22.2 | 16.8 | 10 |
| 18 | 12.6 | 8 |
| 13.8 | 8.4 | 6 |
| 9.6 | 4.2 | 4 |
| 5.4 | — | 2 |
| 寸法 B | 寸法 A | 極数 |

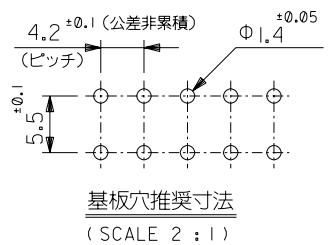


極数別レイアウト図
(SCALE 1:1)



注記

- 嵌合相手：5557シリーズ
- 使用符号の説明
 ベースナンバー 5566 - N A * * - *
 極数 _____
 アッセンブリ _____
 ターミナル材料 _____
 "BLANK"：黄銅
 PB：リン青銅
 ターミナルのメッキ _____
 "BLANK"：錫メッキ 0.9μm MIN.
 GS：ニッケル 1.27μm MIN. 全面下地
 コンタクト部 金 0.76μm MIN.
 半田付け部 錫 2.54μm MIN.
 ヘッダー材料 _____
 "BLANK"：ナイロン 66, UL 94V-2
 210：ナイロン 66, UL 94V-0
 400：ナイロン 66, UL 94V-0, 黒



5566-NA***
MODEL NO.

| | | | |
|---------------------------------|-------------------------|-------------------------------------|--|
| 材料 MATERIAL | | MOLEX-JAPAN CO.,LTD. 日本モレックス株式会社 | |
| 注記 2 参照 | | EDP NO. SHEET 2 OF 2 参照 | |
| 仕上げ FINISH 注記 2 参照 | | ENG. NO. SHEET 1 OF 2 REV F | |
| 角度 ANGLE ±3° | F 変更 (J2004-4431) | M.N. '04/5/26 | 適用電線範囲 WIRE RANGE — |
| 30以上 OVER ±0.4 | E 変更 (J00638) | H.H. '90/6/8 | 被覆外径 INS. RANGE — |
| 10以上 OVER 30未満 UNDER ±0.3 ±0.25 | D 変更&再作図 (J00510) | H.H. '90/5/7 | |
| 10未満 UNDER ±0.2 | 記号 変更内容 REVISION RECORD | DR. CHK. 日付 DATE | DRAWN BY '89/5/7 H.HIRAMOTO |
| 一般公差 GENERAL TOLERANCES | REVISION RECORD | DR. CHK. 日付 DATE | CHK'D BY '91/10/29 M.FUKUSHIMA |
| | | | APP'D BY '91/10/29 M.ENOMOTO |
| | | | 尺度 SCALE 4-1 |
| | | | TITLE 名称 NEW MINI FIT CONNECTOR HEADER ASS'Y -LEAD FREE- |

DIMENSIONS IN METRIC DO NOT SCALE DRAWING

ENC. NO. SD-5566-NA***-*

EDP NO. 表 参照

| | | | | | | |
|----------------|-----------------|----------------|-----------------|--------------|---------------|----|
| 39-29-5247 | 5566-24APB-2 10 | 39-29-6248 | 5566-24AGS-2 10 | 39-28-8240 | 5566-24A-2 10 | 24 |
| ▲ -5227 | ▲ -22APB-2 10 | ▲ -6228 | ▲ -22AGS-2 10 | ▲ -8220 | ▲ -22A-2 10 | 22 |
| -5207 | -20APB-2 10 | -6208 | -20AGS-2 10 | -8200 | -20A-2 10 | 20 |
| -5187 | -18APB-2 10 | -6188 | -18AGS-2 10 | -8180 | -18A-2 10 | 18 |
| -5167 | -16APB-2 10 | -6168 | -16AGS-2 10 | -8160 | -16A-2 10 | 16 |
| -5147 | -14APB-2 10 | -6148 | -14AGS-2 10 | -8140 | -14A-2 10 | 14 |
| -5127 | -12APB-2 10 | -6128 | -12AGS-2 10 | -8120 | -12A-2 10 | 12 |
| -5107 | -10APB-2 10 | -6108 | -10AGS-2 10 | -8100 | -10A-2 10 | 10 |
| -5087 | -08APB-2 10 | -6088 | -08AGS-2 10 | -8080 | -08A-2 10 | 8 |
| -5067 | -06APB-2 10 | -6068 | -06AGS-2 10 | -8060 | -06A-2 10 | 6 |
| ▼ -5047 | ▼ -04APB-2 10 | ▼ -6048 | ▼ -04AGS-2 10 | ▼ -8040 | ▼ -04A-2 10 | 4 |
| 39-29-5027 | 5566-02APB-2 10 | 39-29-6028 | 5566-02AGS-2 10 | 39-28-8020 | 5566-02A-2 10 | 2 |
| EDP NO. | ENG. NO | EDP NO. | ENG. NO | EDP NO. | ENG. NO | 極数 |
| 5566-NAPB-2 10 | | 5566-NAGS-2 10 | | 5566-NA-2 10 | | |
| 39-29-5246 | 5566-24APB | 39-29-0243 | 5566-24AGS | 39-28-1243 | 5566-24A | 24 |
| ▲ -5226 | ▲ -22APB | ▲ -0223 | ▲ -22AGS | ▲ -1223 | ▲ -22A | 22 |
| -5206 | -20APB | -0203 | -20AGS | -1203 | -20A | 20 |
| -5186 | -18APB | -0183 | -18AGS | -1183 | -18A | 18 |
| -5166 | -16APB | -0163 | -16AGS | -1163 | -16A | 16 |
| -5146 | -14APB | -0143 | -14AGS | -1143 | -14A | 14 |
| -5126 | -12APB | -0123 | -12AGS | -1123 | -12A | 12 |
| -5106 | -10APB | -0103 | -10AGS | -1103 | -10A | 10 |
| -5086 | -08APB | -0083 | -08AGS | -1083 | -08A | 8 |
| -5066 | -06APB | -0063 | -06AGS | -1063 | -06A | 6 |
| ▼ -5046 | ▼ -04APB | ▼ -0043 | ▼ -04AGS | ▼ -1043 | ▼ -04A | 4 |
| 39-29-5026 | 5566-02APB | 39-29-0023 | 5566-02AGS | 39-28-1023 | 5566-02A | 2 |
| EDP NO. | ENG. NO | EDP NO. | ENG. NO | EDP NO. | ENG. NO | 極数 |
| 5566-NAPB | | 5566-NAGS | | 5566-NA | | |

| | | |
|-------------|--------------|----|
| 39-35-0248 | 5566-24A-400 | 24 |
| ▲ -0228 | ▲ -22A-400 | 22 |
| -0208 | -20A-400 | 20 |
| -0188 | -18A-400 | 18 |
| -0168 | -16A-400 | 16 |
| -0148 | -14A-400 | 14 |
| -0128 | -12A-400 | 12 |
| -0108 | -10A-400 | 10 |
| -0088 | -08A-400 | 8 |
| -0068 | -06A-400 | 6 |
| ▼ -0048 | ▼ -04A-400 | 4 |
| 39-35-0028 | 5566-02A-400 | 2 |
| EDP NO. | ENG. NO | 極数 |
| 5566-NA-400 | | |

| | | | | | |
|-------------------------|-------|-----------------|----------------------|--|----------|
| 5566-NA***-* | | 材料 MATERIAL | | MOLEX-JAPAN CO.,LTD. 日本モレックス株式会社 | |
| MODEL NO. | | 仕上げ FINISH | | EDP. NO. 表 参照 | |
| 角度 ANGLE | ±3° | F | SEE SHEET 1 OF 2 | M.N | '04/5/26 |
| 30 以上 OVER | ±0.3 | E | SEE SHEET 1 OF 2 | H.H | '90/6/8 |
| 10 以上 30 未満 OVER UNDER | ±0.25 | D | SEE SHEET 1 OF 2 | H.H | '90/5/7 |
| 10 未満 UNDER | ±0.2 | 記号 LTR | 変更内容 REVISION RECORD | DR. CHK. | 日付 DATE |
| 一般公差 GENERAL TOLERANCES | | REVISION RECORD | | DRAWN BY '90/5/7 H.HIRAMOTO | |
| | | | | CHK'D BY '91/10/29 M.FUKUSHIMA | |
| | | | | APP'D BY '91/10/29 M.ENOMOTO | |
| | | | | 尺 度 SCALE | |
| | | | | TITLE 名称 NEW MINI FIT CONNECTOR HEADER ASS'Y -LEAD FREE- | |