

PLEASE CHECK WWW.MOLEX.COM FOR LATEST PART INFORMATION

Part Number: [5016471000](#)
Status: **Active**
Overview: [igrid](#)
Description: 2.00mm (.079") Pitch iGrid™ Wire-to-Board Crimp Terminal, Female, 22-26 AWG, Reel

Documents:

[Drawing \(PDF\)](#) [RoHS Certificate of Compliance \(PDF\)](#)
[Product Specification PS-501646-001 \(PDF\)](#)

General

Product Family	Crimp Terminals
Series	501647
Crimp Quality Equipment	Yes
Overview	igrid
Product Name	iGrid™

Physical

Durability (mating cycles max)	30
Gender	Receptacle
Material - Metal	Copper Alloy
Material - Plating Mating	Tin
Packaging Type	Reel
Termination Interface: Style	Crimp or Compression
Wire Insulation Diameter	0.95-1.50 (.037-.059")
Wire Size AWG	22, 24, 26
Wire Size mm²	0.124-0.34

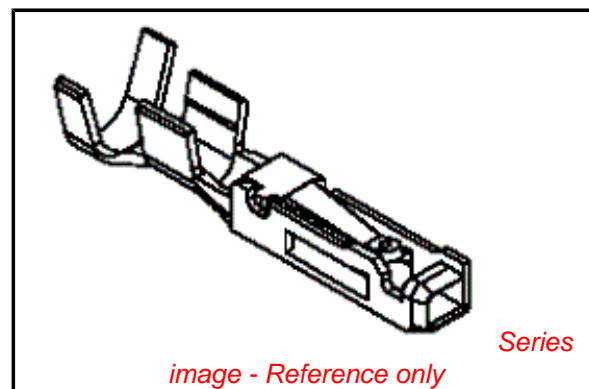
Electrical

Current - Maximum per Contact	2A
Voltage - Maximum	250V AC (RMS)/DC

Material Info

Reference - Drawing Numbers

Product Specification	PS-501646-001, RPS-501646-001, RPS-501646-002, RPS-501646-003, RPS-501646-004, RPS-501646-005, RPS-501646-006, RPS-501646-007
Sales Drawing	SD-501647-001



EU RoHS

ELV and RoHS Compliant
REACH SVHC
Contains SVHC: No
Halogen-Free Status

China RoHS



Need more information on product environmental compliance?

Email productcompliance@molex.com
 For a multiple part number RoHS Certificate of Compliance, [click here](#)

Please visit the [Contact Us](#) section for any non-product compliance questions.

Search Parts in this Series

[501647Series](#)

Mates With

[501645 Vertical Header](#) . [501676 Right Angle Header](#)

Use With

[501646 Receptacle Housing](#)

Application Tooling | FAQ

Tooling specifications and manuals are found by selecting the products below. Crimp Height Specifications are then contained in the Application Tooling Specification document.

Global

Description	Product #
Manual Extraction Tool	0638131500
Hand Crimp Tool for 2.00mm(.079") Pitch iGrid™ Wire-to-Board Terminals	0638192300

T2 Terminator	<u>0638587000</u>
Tooling Die	
FineAdjust™	<u>0638687000</u>
Applicator	

Japan

Description	Product #
--------------------	------------------

Applicator for M211A	<u>5780213000</u>
----------------------	-------------------

Bench Press, 22-26

AWG, for 501647

and 501648 Crimp

Terminal

Side-Feed Applicator	<u>5780213200</u>
----------------------	-------------------

for Fully-Auto

Machine, 22-26

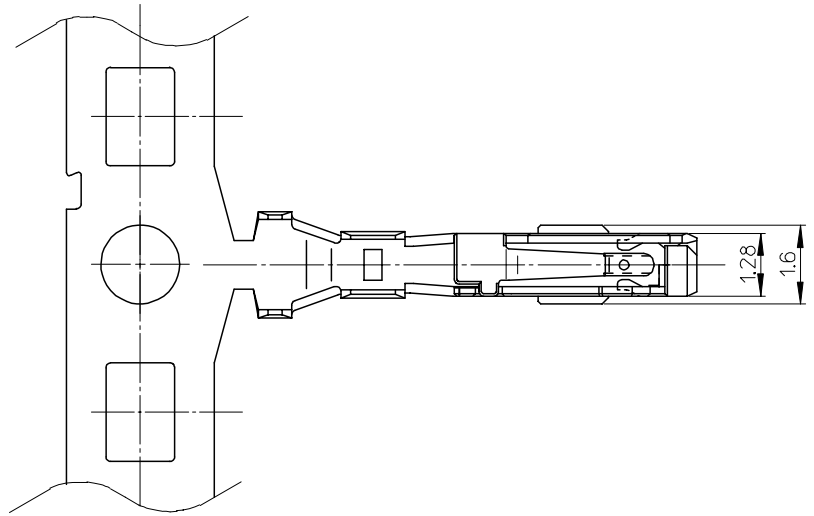
AWG, for 501647

and 501648 Crimp

Terminal

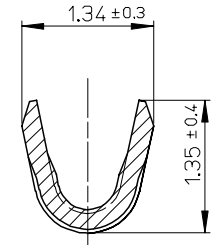
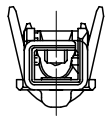
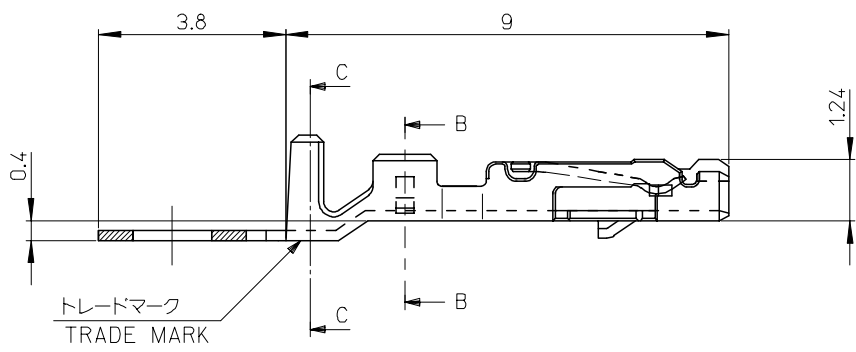
This document was generated on 05/20/2010

PLEASE CHECK WWW.MOLEX.COM FOR LATEST PART INFORMATION

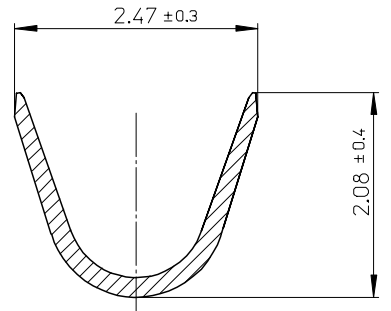


注記
NOTES

1. 使用材料 : 銅合金, 錫メッキ (t=0.2)
MATERIAL : PRE-TINNED COPPER ALLOY
2. 適合ハウジング : 501646 シリーズ
APPLICABLE HOUSING : 501646 SERIES
3. 電線仕様
CABLE SPEC.
AWG : #26-28
適用電線範囲 : 0.079~0.136mm²
WIRE RANGE
被覆外形 : $\phi 0.85 \sim \phi 1.4$ mm
INS. RANGE



SECTION B-B
(SCALE:20-1)



SECTION C-C
(SCALE:20-1)

501648-1100	パラ状 LOOSE
501648-1000	連続状 CHAIN
MATERIAL NO.	端子形状 FORM

RELEASED EC NO: J2006-1616 DRWN: ITO CHKD: ASAKAWA APPR: S. ICHIKAWA	GENERAL TOLERANCES (UNLESS SPECIFIED)		DIMENSION STYLE MM ONLY		SCALE 10:1	DESIGN UNITS METRIC	THIRD ANGLE PROJECTION	
	10 UNDER	± 0.2	DRAWN BY	DATE	TITLE 2.0 W/B DUAL CONN DIP RCPT TERM -LEAD FREE-			
	10 OVER 30 UNDER	± 0.25	N. ITO	'05/11/22				
	30 OVER	± 0.3	CHECKED BY	DATE	MOLEX INCORPORATED			
	ANGULAR	± 1 °	ASAKAWA	'05/11/22				
DRAFT WHERE APPLICABLE MUST REMAIN WITHIN DIMENSIONS		APPROVED BY	DATE	MATERIAL NO.	DOCUMENT NO.	SHEET NO.		
		ICHIKAWA	'05/11/22	501648-1*00	SD-501648-001	1 OF 1		