

**PLEASE CHECK WWW.MOLEX.COM FOR LATEST PART INFORMATION**

**Part Number:** **0559320258**  
**Status:** **Active**  
**Overview:** microclasp  
**Description:** 2.00mm (.079") Pitch MicroClasp™ Wire-to-Board Header, Single Row, Vertical, 2 Circuits, without PCB Locator, Fluorescent Orange Housing Color, Lead-free

**Documents:**

[3D Model](#) [Product Specification PS-51382-004 \(PDF\)](#)  
[Drawing \(PDF\)](#) [RoHS Certificate of Compliance \(PDF\)](#)

**General**

Product Family	PCB Headers
Series	<a href="#">55932</a>
Application	Wire-to-Board
Overview	<a href="#">microclasp</a>
Product Name	MicroClasp™

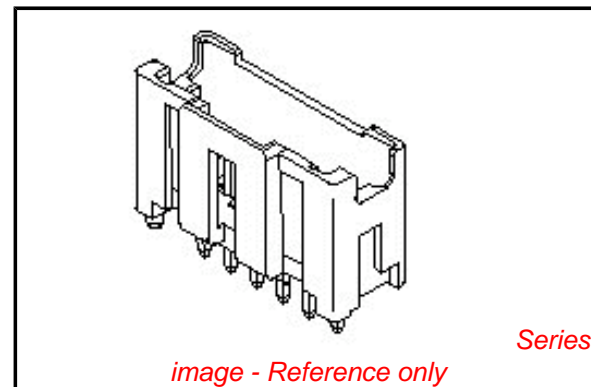
**Physical**

Breakaway	No
Circuits (Loaded)	2
Circuits (maximum)	2
Color - Resin	Orange
Durability (mating cycles max)	30
First Mate / Last Break	No
Glow-Wire Compliant	No
Guide to Mating Part	No
Keying to Mating Part	None
Lock to Mating Part	Yes
Mated Height (in)	0.520 In
Mated Height (mm)	13.20 mm
Material - Plating Mating	Tin
Material - Plating Termination	Tin
Material - Resin	Polyester
Number of Rows	1
Orientation	Vertical
PC Tail Length (in)	0.126 In
PC Tail Length (mm)	3.20 mm
PCB Locator	No
PCB Retention	Yes
PCB Thickness Recommended (in)	0.062 In
PCB Thickness Recommended (mm)	1.60 mm
Packaging Type	Tray
Pitch - Mating Interface (in)	0.079 In
Pitch - Mating Interface (mm)	2.00 mm
Polarized to Mating Part	Yes
Shrouded	Fully
Stackable	No
Surface Mount Compatible (SMC)	No
Temperature Range - Operating	-25°C to +85°C
Termination Interface: Style	Through Hole

**Electrical**

Current - Maximum per Contact	3A
Voltage - Maximum	250V

**Material Info**



**EU RoHS**

**ELV and RoHS  
Compliant**  
**REACH SVHC  
Not Reviewed**  
**Halogen-Free  
Status**

**China RoHS**



**Need more information on product  
environmental compliance?**

Email [productcompliance@molex.com](mailto:productcompliance@molex.com)  
 For a multiple part number RoHS Certificate of Compliance, [click here](#)

Please visit the [Contact Us](#) section for any non-product compliance questions.

**Search Parts in this Series**

[55932Series](#)

**Mates With**

[51382 MicroClasp™ Wire-to-Board Receptacle Housing](#)

## Reference - Drawing Numbers

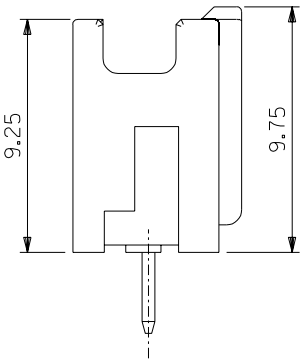
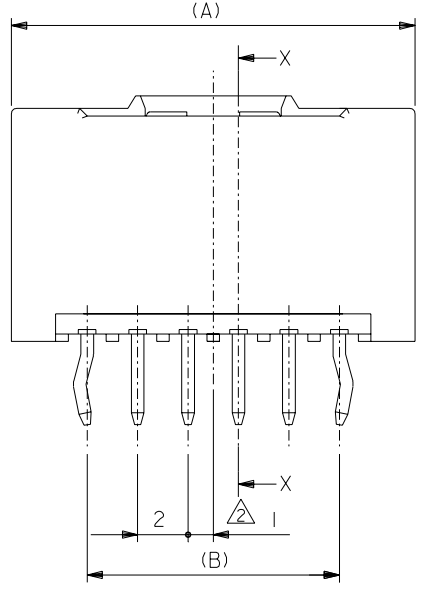
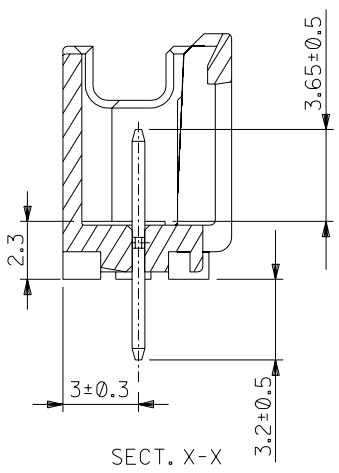
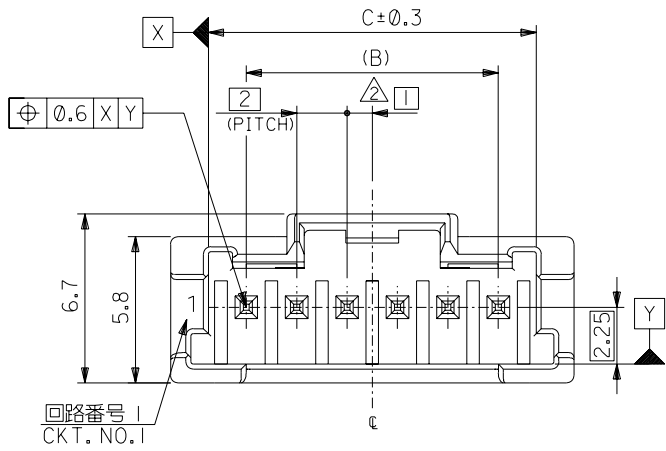
Packaging Specification  
Product Specification

SPK-55932-001  
PS-51382-004, RPS-51382-006, RPS-51382-007,  
RPS-51382-008, RPS-51382-009, RPS-51382-010,  
RPS-51382-012, RPS-51382-013, RPS-51382-014  
SD-55932-006, SD-55932-007

Sales Drawing

This document was generated on 05/25/2010

**PLEASE CHECK [WWW.MOLEX.COM](http://WWW.MOLEX.COM) FOR LATEST PART INFORMATION**



NOTE

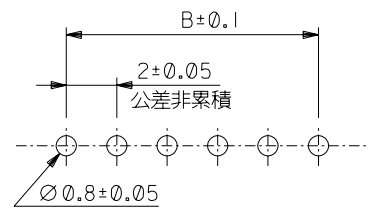
- 1. 嵌合相手: 51382-\*\*\*\*
- 2. 偶数極 (列) に適用。
- 3. キンフは両外側の位置に付加。
- 4. 製品番号 MATERIAL NO.

55932-\*\*\*\*

極数 CIRCUIT SIZE

色 COLOR

30	自然色 (白) NATURAL (WHITE)
31	黒 BLACK
32	赤 RED
33	黄 YELLOW
34	青 BLUE
35	桃 PINK
36	緑 GREEN
37	茶 BROWN
38	橙 ORANGE
39	紫 VIOLET
51	灰 GRAY
53	蛍光黄 FLUORESCENT YELLOW
54	水 PALE BLUE
55	蛍光桃 FLUORESCENT PINK
56	黄緑 YELLOWISH GREEN
58	蛍光橙 FLUORESCENT ORANGE



推奨基板寸法  
(t = 1.6)

31	28	34	55932-15**	15
29	26	32	55932-14**	14
27	24	30	55932-13**	13
25	22	28	55932-12**	12
23	20	26	55932-11**	11
21	18	24	55932-10**	10
19	16	22	55932-09**	9
17	14	20	55932-08**	8
15	12	18	55932-07**	7
13	10	16	55932-06**	6
11	8	14	55932-05**	5
9	6	12	55932-04**	4
7	4	10	55932-03**	3
5	2	8	55932-02**	2
C	B	A	△ MATERIAL NO.	CKT.

DO NOT SCALE DRAWING

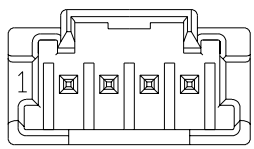
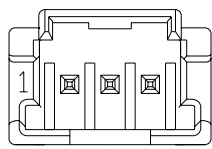
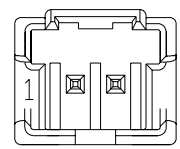
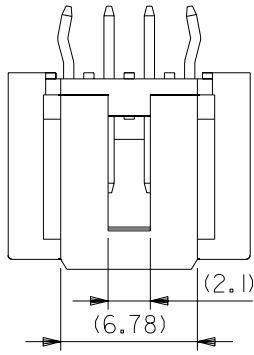
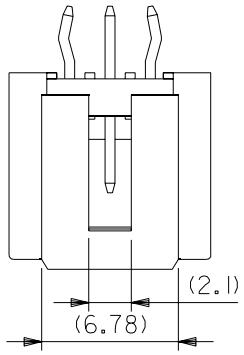
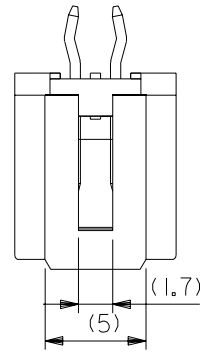
68 NO. DRWN: CH'K: APPR:	63 NO. DRWN: CH'K: APPR:	REVISED '04/05/31 62 NO. J2004-4514 DRWN: M. ERIGUCHI CH'K: K. ASAKAWA APPR: S. ICHIKAWA	REVISED '03/06/12 61 NO. J2003-3127 DRWN: N. ITO CH'K: K. ASAKAWA APPR: T. YAMAGUCHI	REVISED '03/04/04 60 NO. J2003-2421 DRWN: N. ITO CH'K: K. ASAKAWA APPR: T. YAMAGUCHI	MATERIAL 材料: 黄銅、ニッケル下地錫メッキ ハウジング: PBT
FINISH 仕上り					
WIRE RANGE 適用線径範囲					
INS. RANGE 被覆外径					

GENERAL TOLERANCES: (UNLESS SPECIFIED) 一般公差	SCALE	DESIGN UNITS <input checked="" type="checkbox"/> mm <input type="checkbox"/> INCH	PROJECTION <input checked="" type="checkbox"/> 1st ANGLE <input type="checkbox"/> 3rd ANGLE	DIMENSIONS: <input type="checkbox"/> mm <input type="checkbox"/> INCH <input checked="" type="checkbox"/> mm ONLY	SHT REV
10 UNDER 未満	±0.2	DRAWN BY & DATE T.NIITSU '02/2/8	TITLE: 2.0 W/B SINGLE CONN. PLUG HOUSING ASS'Y ST -LEAD FREE-		
10 OVER 以上	±0.25	CHECKED BY & DATE K.ASAKAWA '03/6/12	MOLEX MOLEX INCORPORATED		
30 OVER 以上	±0.3	APPROVED BY & DATE T.YAMAGUCHI '03/6/12	CAD FILENAME SD-55932-006.S01	MATERIAL NO. 55932-****	DRAWING NO. SD-55932-006
ANGLE 角度	±3°	THIS DRAWING CONTAINS INFORMATION THAT IS PROPRIETARY TO MOLEX INCORPORATED AND SHOULD NOT BE USED WITHOUT WRITTEN PERMISSION.			SHEET NO. 1 of 2

ANGLE 角度	±3°
----------	-----

MODEL NO.: 55932-****
-----------------------

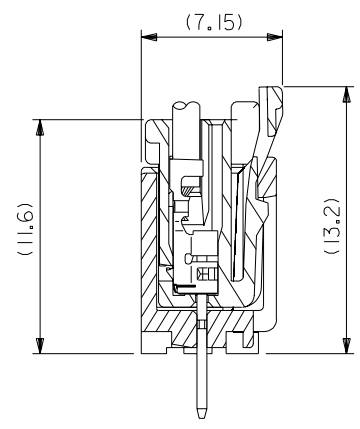
MATERIAL NO. 55932-****	DRAWING NO. SD-55932-006	SHEET NO. 1 of 2
----------------------------	-----------------------------	---------------------



2 CIRCUIT

3 CIRCUIT

4 CIRCUIT



嵌合断面図

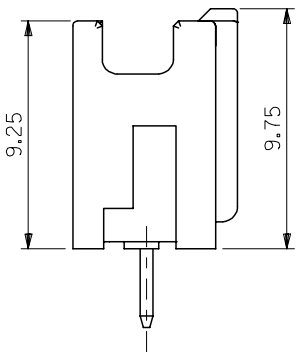
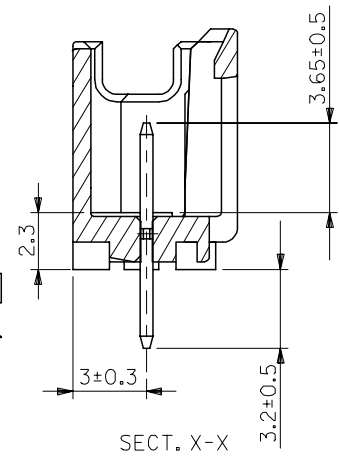
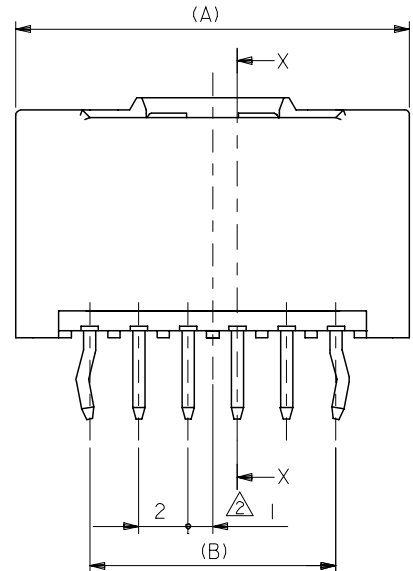
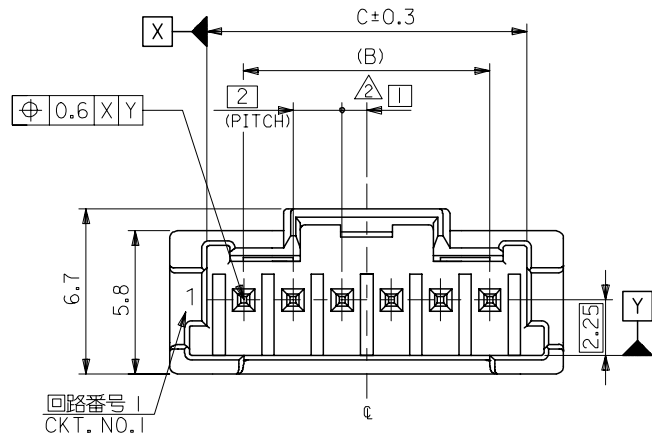
DO NOT SCALE DRAWING

E64NO. DRWN: CH'K: APPR:	E63NO. DRWN: CH'K: APPR:	REVISED '04/05/31 E62NO. J2004-4514 DRWN: M.ERIGUCHI CH'K: K.ASAKAWA APPR: S.ICHIKAWA	REVISED '03/06/12 E61NO. J2003-3127 DRWN: N.IITO CH'K: K.ASAKAWA APPR: T.YAMAGUCHI	REVISED '03/04/04 E60NO. J2003-2421 DRWN: N.IITO CH'K: K.ASAKAWA APPR: T.YAMAGUCHI
SEE SHEET 1 OF 2				
<del>FINISH 仕上り</del>				
WIRE RANGE 適用導線範囲				
INS. RANGE 被覆外径				

MATERIAL 材料	SEE SHEET 1 OF 2
GENERAL TOLERANCES: (UNLESS SPECIFIED) 一般公差	10 UNDER 未満 ±0.2 10 OVER 以上 30 UNDER 未満 ±0.25 30 OVER 以上 ±0.3
ANGLE 角度	±3°

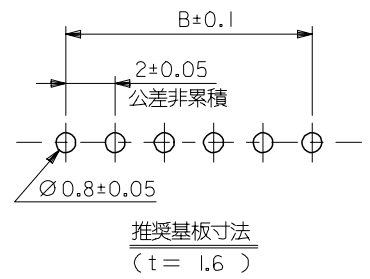
SCALE	DESIGN UNITS <input checked="" type="checkbox"/> mm <input type="checkbox"/> INCH
DRAWN BY & DATE T.NIITSU '02/2/8	TITLE: 2.0 W/B SINGLE CONN. PLUG HOUSING ASS'Y ST -LEAD FREE-
CHECKED BY & DATE K.ASAKAWA '03/6/12	
APPROVED BY & DATE T.YAMAGUCHI '03/6/12	Molex MOLEX INCORPORATED MATERIAL NO. 55932-**** DRAWING NO. SD-55932-006
CAD FILENAME SD-55932-006.S02	

MODEL NO.: 55932-****	DIMENSIONS:	SHT	REV
	<input type="checkbox"/> mm <input type="checkbox"/> INCH <input checked="" type="checkbox"/> mm ONLY		
PROJECTION	<input type="checkbox"/> FIRST ANGLE <input checked="" type="checkbox"/> THIRD ANGLE	REVISE ON CAD ONLY	
SHEET NO. 2 of 2 SIZE B			



NOTE

- 1. 嵌合相手：51382-\*\*\*\*
- △ 偶数極 (列) に適用。
- 3. キングは両外側の位置に付加。
- 4. ピン：黄銅、ニッケル下地錫メッキ  
ハウジング：PBT
- △ 適合リテーナー：500638シリーズ  
APPLICABLE RETAINER：500638 SERIES.
- △ 製品番号 MATERIAL NO.



55932-\*\*\*\*

極数 CIRCUIT SIZE

色 COLOR

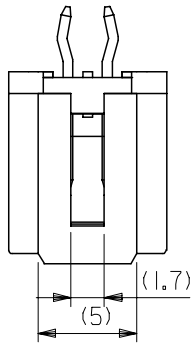
30	自然色 (白) NATURAL (WHITE)
31	黒 BLACK
32	赤 RED
33	黄 YELLOW
34	青 BLUE
35	桃 PINK
36	緑 GREEN
37	茶 BROWN
38	橙 ORANGE
39	紫 VIOLET
51	灰 GRAY
53	蛍光黄 FLUORESCENT YELLOW
54	水 PALE BLUE
55	蛍光桃 FLUORESCENT PINK
56	黄緑 YELLOWISH GREEN
58	蛍光橙 FLUORESCENT ORANGE

31	28	34	55932-15**	15
29	26	32	55932-14**	14
27	24	30	55932-13**	13
25	22	28	55932-12**	12
23	20	26	55932-11**	11
21	18	24	55932-10**	10
19	16	22	55932-09**	9
17	14	20	55932-08**	8
15	12	18	55932-07**	7
13	10	16	55932-06**	6
11	8	14	55932-05**	5
9	6	12	55932-04**	4
7	4	10	55932-03**	3
5	2	8	55932-02**	2

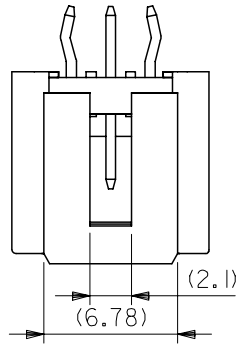
MODEL NO.: 55932-\*\*\*\*

RELEASED EC NO: J2006-1522 DRWN: MAEDA CHKD: NUKITA APPR: NUKITA	GENERAL TOLERANCES (UNLESS SPECIFIED)		DIMENSION STYLE MM ONLY		SCALE ---	DESIGN UNITS METRIC	THIRD ANGLE PROJECTION	
	10 UNDER	±0.2	DRAWN BY YMAEDA		DATE 2005/06/13	TITLE 2.0 W/B CONN.PLUG HOUSING ASS'Y WO BOSS -LEAD FREE-		
	10 OVER 30 UNDER	±0.25	CHECKED BY MTANAKA		DATE 2005/06/13			
	30 OVER	±0.3	APPROVED BY NUKITA		DATE 2005/06/13	MOLEX INCORPORATED		
	ANGULAR	±3 °	MATERIAL NO.		DOCUMENT NO.			
0	DRAFT WHERE APPLICABLE MUST REMAIN WITHIN DIMENSIONS		SIZE A3		SEE CHART		SD-55932-007	

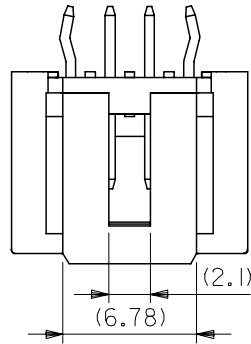
10 9 8 7 6 5 4 3 2 1



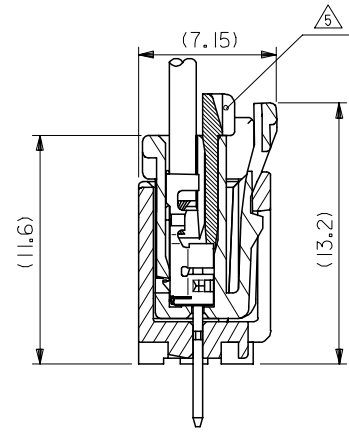
(5) (1.7)



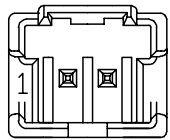
(6.78) (2.1)



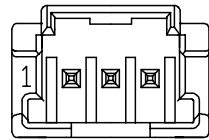
(6.78) (2.1)



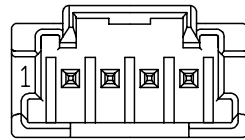
(7.15) (11.6) (13.2)



2 CIRCUIT



3 CIRCUIT



4 CIRCUIT

嵌合断面図

MODEL NO. : 55932-\*\*\*\*

RELEASED EC NO: J2006-1522 DRWN: MAEDA 2005/11/08 CHK: NUKITA 2005/11/08 APPR: NUKITA 2005/11/09	GENERAL TOLERANCES (UNLESS SPECIFIED)		DIMENSION STYLE MM ONLY	SCALE ---	DESIGN UNITS METRIC	THIRD ANGLE PROJECTION
	10 UNDER	± 0.2	DRAWN BY YMAEDA	DATE 2005/06/13	TITLE 2.0 W/B CONN.PLUG HOUSING ASS'Y WO BOSS -LEAD FREE-	
	10 <sup>OVER</sup> 30 UNDER	± 0.25	CHECKED BY MTANAKA	DATE 2005/06/13	MOLEX INCORPORATED	
	30 <sup>OVER</sup>	± 0.3	APPROVED BY NUKITA	DATE 2005/06/13	DOCUMENT NO. SD-55932-007	SHEET NO. 2 OF 2
	ANGULAR	± 3 °	MATERIAL NO. SEE CHART			
0	DRAFT WHERE APPLICABLE MUST REMAIN WITHIN DIMENSIONS		SIZE A3		THIS DRAWING CONTAINS INFORMATION THAT IS PROPRIETARY TO MOLEX INCORPORATED AND SHOULD NOT BE USED WITHOUT WRITTEN PERMISSION	