

**PLEASE CHECK WWW.MOLEX.COM FOR LATEST PART INFORMATION**

**Part Number:** **0743204004**

**Status:** **Active**

**Description:** MicroCross™ DVI-D Digital Visual Interface, PCB Receptacle, Polyester (PCT), Panel Mount, Through Hole, Right Angle, Gold (Au) Flash, 2.34mm (.0921") PC Tail Length, Lead Free, Screw Hole, 4-40 Thread, 24 Circuits

**Documents:**

[Drawing \(PDF\)](#)

[Test Summary \(PDF\)](#)

[Product Specification PS-74320-001 \(PDF\)](#)

[RoHS Certificate of Compliance \(PDF\)](#)

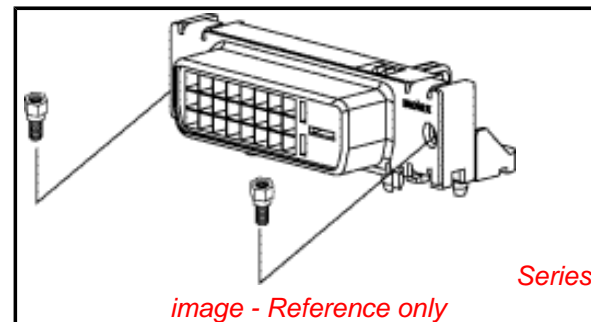


image - Reference only

**Agency Certification**

UL E29179

**General**

Product Family	I/O Connectors
Series	<a href="#">74320</a>
Application	Wire-to-Board
Comments	DDWG (Digital Display Working Group) Standard
Component Type	Receptacle
Product Name	MicroCross™DVI
Type	N/A

**Physical**

Boot Color	N/A
Circuits (Loaded)	24
Circuits (maximum)	24
Color - Resin	Natural
Durability (mating cycles max)	100
Flammability	94V-0
Gender	Receptacle
Keying to Mating Part	Yes
Lock to Mating Part	Yes
Material - Metal	Copper Alloy
Material - Plating Mating	Gold
Material - Plating Termination	Tin
Number of Rows	3
Orientation	Right Angle
PC Tail Length (in)	0.092 In
PC Tail Length (mm)	2.34 mm
PCB Locator	Yes
PCB Retention	Yes
Packaging Type	Tray
Panel Mount	Yes
Pitch - Mating Interface (in)	0.075 In
Pitch - Mating Interface (mm)	1.91 mm
Pitch - Term. Interface (in)	0.075 In
Pitch - Term. Interface (mm)	1.91 mm
Plating min: Mating (µin)	2
Plating min: Mating (µm)	0.05
Plating min: Termination (µin)	100
Plating min: Termination (µm)	2.50
Polarized to Mating Part	Yes
Polarized to PCB	Yes
Ports	1
Surface Mount Compatible (SMC)	No
Temperature Range - Operating	-20°C to +85°C

**EU RoHS**

**ELV and RoHS Compliant**

**REACH SVHC**

Not Reviewed

**Halogen-Free**

**Status**

**Not Reviewed**

**Need more information on product environmental compliance?**

Email [productcompliance@molex.com](mailto:productcompliance@molex.com)  
For a multiple part number RoHS Certificate of Compliance, [click here](#)

Please visit the [Contact Us](#) section for any non-product compliance questions.

**China RoHS**



**Search Parts in this Series**

[74320Series](#)

**Mates With**

[88744](#) , [74323](#)

**Use With**

[71781](#) Panel Mount Hex Screw Kit

Termination Interface: Style	Through Hole
Waterproof / Dustproof	No
Wire Size AWG	N/A

### **Electrical**

Current - Maximum per Contact	3A
Grounding to Panel	Yes
Shield Type	Full Shield
Shielded	Yes
Voltage - Maximum	40V AC (RMS)

### **Material Info**

#### **Reference - Drawing Numbers**

Product Specification	PS-74320-001, RPS-74320-005, RPS-74320-006, RPS-74320-007, RPS-74320-008, RPS-74320-010, RPS-74320-011, RPS-74320-012, RPS-74320-013, RPS-74320-016
Sales Drawing	SD-74320-003

This document was generated on 04/05/2010

**PLEASE CHECK [WWW.MOLEX.COM](http://WWW.MOLEX.COM) FOR LATEST PART INFORMATION**

10 9 8 7 6 5 4 3 2 1

F

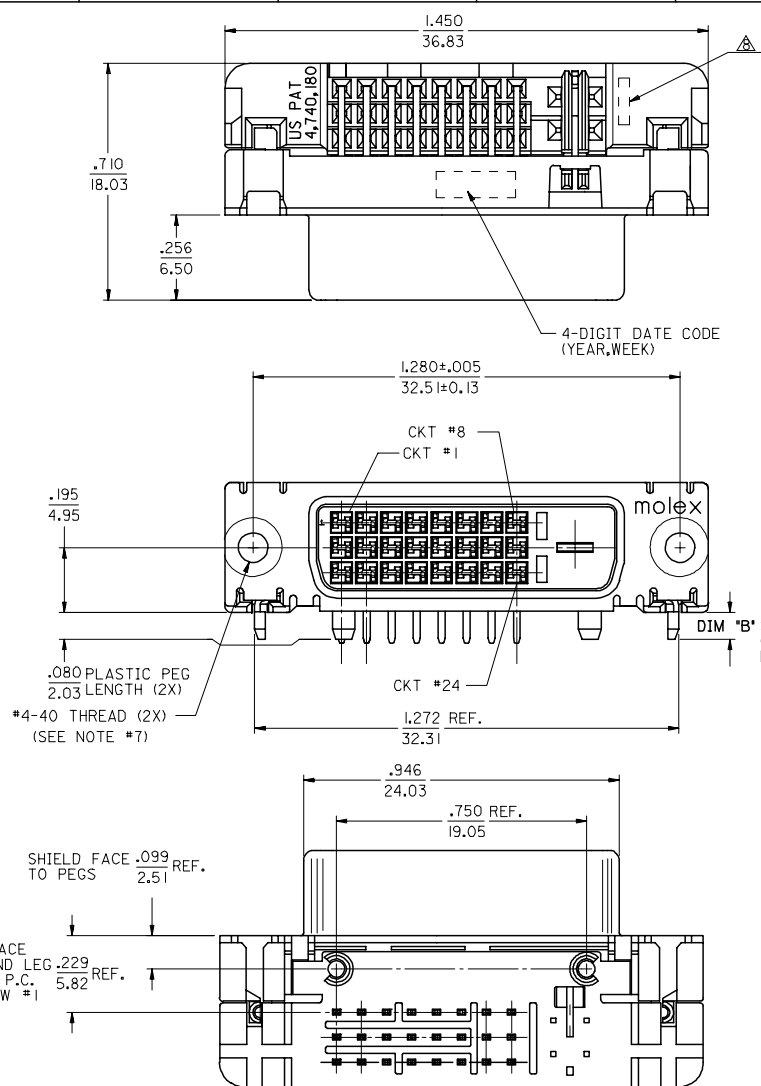
E

D

C

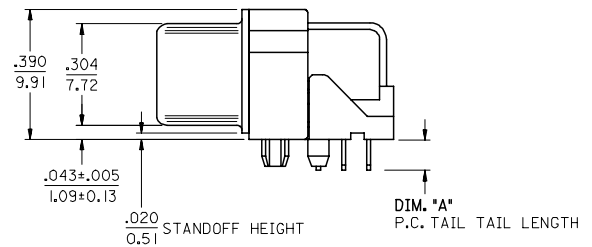
B

A



NOTES:

1. MATERIALS:  
 SHIELD -- DEEP DRAW STEEL.  
 HOUSING -- GLASS FILLED POLYMER, NATURAL (WHITE), UL 94v-0.  
 TAIL ALIGNER -- GLASS FILLED POLYMER, NATURAL (WHITE), UL 94v-0.  
 CONTACTS -- COPPER ALLOY.  
 MICROCROSS GROUND -- COPPER ALLOY.
  2. PLATING: SEE SHEET 2
  3. PRODUCT CONFORMS TO MOLEX PRODUCT SPECIFICATION NUMBER PS-74320-001. REFER TO THIS SPECIFICATION FOR SPACING ON A P.C.B. OF TWO OR MORE CONNECTORS WHEN USING A CABLE OR AN ADAPTER ASSEMBLY.
  4. SEE SHEET 2 FOR RECOMMENDED PANEL CUT-OUT AND P.C.B. LAYOUT.
  5. PARTS WILL BE PACKAGED IN TRAYS PER PK-74320-010.
  6. PRODUCT CONFORMS TO DDWG DVI SPECIFICATION. REFER TO THIS SPECIFICATION FOR CONNECTOR MATING DIMENSIONS.
  7. RECOMMENDED MOUNTING HARDWARE IS MOLEX P/N 71781-0001 OR 88780-6066 OR 82007-0300.  
 REFER TO PRODUCT SPECIFICATION NUMBER PS-74320-001 FOR THE APPLICATION TORQUE REQUIREMENT FOR ASSEMBLING MOUNTING HARDWARE.
- ▲ CAVITY NO. AND MANUFACTURING PLANT CODE.



PART NUMBER	PLATING OPTION	DIM 'A'	DIM 'B'
74320-4000	1	.092/2.34	.080±.020
74320-4001	1	.050/1.27	2.03±0.51
74320-4003	1	.123/3.12	.110/2.79
74320-4004	2	.092/2.34	.080±.020
74320-4005	2	.050/1.27	2.03±0.51
74320-4016	2	.110/2.79	.110/2.79
74320-4007	2	.123/3.12	.110/2.79

REVISE  
 EC NO: SH2007-0732  
 2007/06/04  
 DRWN: XJSONG  
 2007/06/05  
 CHKD: JTIAN  
 2007/06/05  
 APPR: INCHEH  
 2007/06/22

QUALITY SYMBOLS  
 ▽=0  
 ▽=0

GENERAL TOLERANCES (UNLESS SPECIFIED)

	mm	INCH
4 PLACES	± .005	± .0005
3 PLACES	± .005	± .0005
2 PLACES	± 0.25	± .010
1 PLACE	± 0.25	± .010

ANGULAR ±1/2°

DRAFT WHERE APPLICABLE  
 MUST REMAIN WITHIN DIMENSIONS

DIMENSION STYLE  
 IN/MM

DRAWN BY DATE  
 MOSULL IV 1999/02/12

CHECKED BY DATE  
 MOSULL IV 1999/02/12

APPROVED BY DATE  
 NELLIGAN 1999/02/12

MATERIAL NO.  
 SEE CHART

SCALE  
 2:1

DESIGN UNITS  
 INCH

THIRD ANGLE PROJECTION

TITLE  
 DVI-DIGITAL RIGHT ANGLE RECEPTACLE CONNECTOR

MOLEX INCORPORATED

DOCUMENT NO.  
 SD-74320-003

SHEET NO.  
 1 OF 2

THIS DRAWING CONTAINS INFORMATION THAT IS PROPRIETARY TO MOLEX INCORPORATED AND SHOULD NOT BE USED WITHOUT WRITTEN PERMISSION

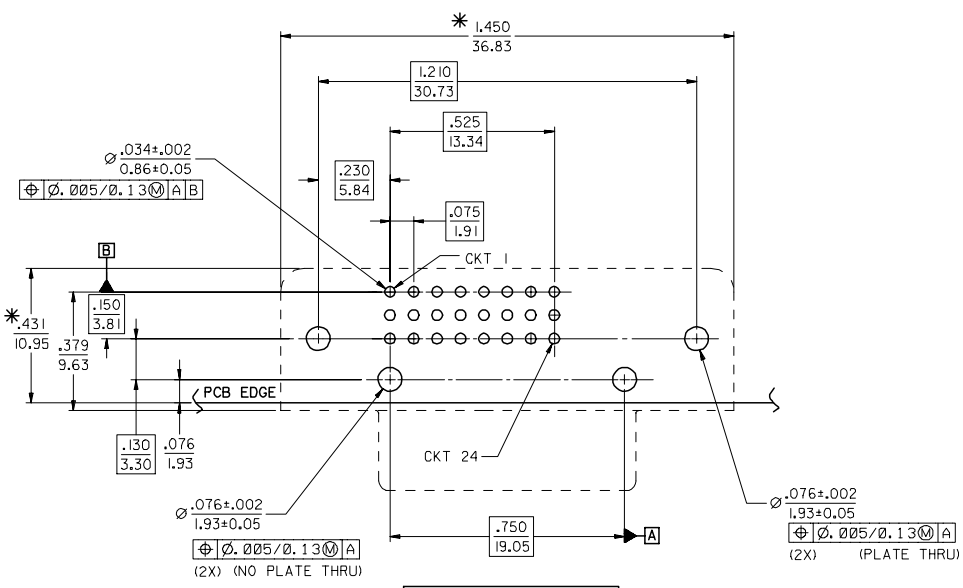
9 8 7 6 5 4 3 2 1

10 9 8 7 6 5 4 3 2 1

F

E

D



RECOMMENDED PCB LAYOUT

\*THESE DIMENSIONS REPRESENT CONNECTOR OVERLAY ON PCB.

PLATING OPTIONS:

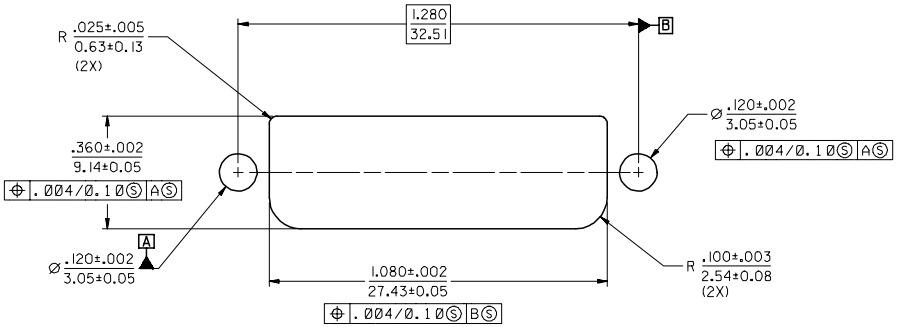
PLATING OPTION #1:  
 OUTER SHIELD -- 150u"/(3.75um) MIN. BRIGHT TIN OVER  
 50u"/(1.27um) MIN. NICKEL OVER COPPER FLASH.  
 .075"/(1.91mm) CONTACTS -- 30u"/(0.75um) MIN. SELECT GOLD AND  
 100u"/(2.50um) MIN. SELECT PURE TIN  
 OVER 50u"/(1.27um) MIN. NICKEL OVERALL.

PLATING OPTION #2:

OUTER SHIELD -- 150u"/(3.75um) MIN. BRIGHT TIN OVER  
 50u"/(1.27um) MIN. NICKEL OVER COPPER FLASH.  
 .075"/(1.91mm) CONTACTS -- SELECT GOLD FLASH AND  
 100u"/(2.50um) MIN. SELECT PURE TIN  
 OVER 50u"/(1.27um) MIN. NICKEL OVERALL.

C

B



RECOMMENDED PANEL CUT-OUT  
 PANEL THICKNESS: .030" - .040"

SEE SHEET 1  
 EC NO: SH2007-0732  
 DRWN: J.SONG 2007/06/04  
 CHKD: J.TIAN 2007/06/05  
 APPR: J.NCHEN 2007/06/22

QUALITY SYMBOLS  
 ▽=0  
 ▽=0

GENERAL TOLERANCES (UNLESS SPECIFIED)	
mm	INCH
4 PLACES ±---	±---
3 PLACES ±---	±.010
2 PLACES ±0.25	±.010
1 PLACE ±0.25	±.010
ANGULAR ±1/2°	

DIMENSION STYLE	
IN/MM	
DRAWN BY	DATE
MOSULL IV	1999/02/12
CHECKED BY	DATE
MOSULL IV	1999/02/12
APPROVED BY	DATE
NELLIGAN	1999/02/12
MATERIAL NO.	
SEE CHART	

SCALE	DESIGN UNITS	THIRD ANGLE PROJECTION	
2:1	INCH		
<b>DVI-DIGITAL RIGHT ANGLE RECEPTACLE CONNECTOR</b>			
		<b>MOLEX INCORPORATED</b>	
DOCUMENT NO. SD-74320-003			SHEET NO. 2 OF 2
DRAFT WHERE APPLICABLE MUST REMAIN WITHIN DIMENSIONS			
THIS DRAWING CONTAINS INFORMATION THAT IS PROPRIETARY TO MOLEX INCORPORATED AND SHOULD NOT BE USED WITHOUT WRITTEN PERMISSION			

9 8 7 6 5 4 3 2 1