

PLEASE CHECK WWW.MOLEX.COM FOR LATEST PART INFORMATION

Part Number: [0855115001](#)
Status: **Active**
Overview: [modular_plugs_jacks](#)
Description: Modular Jack, Vertical, 8/8, Cat5E, Low Profile

Documents:

[3D Model](#) [Product Specification PS-95003 \(PDF\)](#)
[Drawing \(PDF\)](#) [RoHS Certificate of Compliance \(PDF\)](#)
[Product Specification PS-85505 \(PDF\)](#)

Agency Certification

UL E107635

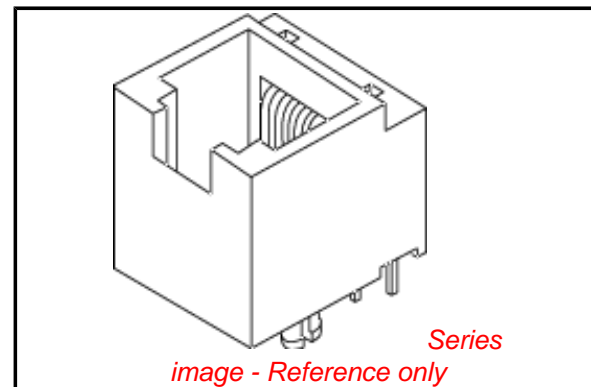
General

Product Family Modular Jacks/Plugs
 Series [85511](#)
 Comments Small Panel Cutout|Snap Pegs
 Component Type PCB Jack
 Magnetic No
 Overview [modular_plugs_jacks](#)
 Performance Category 5e
 Power over Ethernet (PoE) N/A
 Product Name RJ45

Physical

Color - Resin Black
 Durability (mating cycles max) 1,000
 Flammability 94V-0
 Inverted / Top Latch No
 Lightpipes/LEDs None
 Material - Metal Phosphor Bronze
 Material - Plating Mating Gold
 Material - Plating Termination Tin
 Material - Resin High Temperature Thermoplastic
 Orientation Vertical (Top Entry)
 PCB Locator Yes
 PCB Retention Yes
 PCB Thickness Recommended (in) 0.062 In
 PCB Thickness Recommended (mm) 1.60 mm
 Packaging Type Tray
 Pitch - Mating Interface (in) 0.050 In
 Pitch - Mating Interface (mm) 1.27 mm
 Pitch - Term. Interface (in) 0.050 In
 Pitch - Term. Interface (mm) 1.27 mm
 Plating min: Mating (µin) 1.27
 Plating min: Mating (µm) 50
 Plating min: Termination (µin) 1.27
 Plating min: Termination (µm) 75
 Ports 1
 Positions / Loaded Contacts 8/8
 Surface Mount Compatible (SMC) No
 Temperature Range - Operating -40°C to +80°C
 Termination Interface: Style Through Hole
 Wire/Cable Type N/A

Electrical



EU RoHS

**ELV and RoHS
Compliant**
**REACH SVHC
Contains SVHC: No**
**Halogen-Free
Status**

China RoHS



**Need more information on product
environmental compliance?**

Email productcompliance@molex.com
 For a multiple part number RoHS Certificate of Compliance, [click here](#)

Please visit the [Contact Us](#) section for any non-product compliance questions.

Search Parts in this Series

[85511Series](#)

Mates With

FCC 68 Plugs

Current - Maximum per Contact	1.5A
Shielded	No
Voltage - Maximum	125V

Solder Process Data

Duration at Max. Process Temperature (seconds)	3
Lead-free Process Capability	Wave Capable (TH only)
Max. Cycles at Max. Process Temperature	1
Process Temperature max. C	260

Material Info

Reference - Drawing Numbers

Packaging Specification	PK-95003
Product Specification	PS-85505, PS-95003
Sales Drawing	SD-85511-501

This document was generated on 06/07/2010

PLEASE CHECK WWW.MOLEX.COM FOR LATEST PART INFORMATION

NOTES :

1- MATERIAL:

-HOUSING: LCP FIBER GLASS FILLED UL 94-V0
COLOR BLACK.

-TERMINAL: PHOSPHOR BRONZE.

PLATING :

POST PLATE 0.00127-0.00152/.000050-.000060 GOLD IN
CONTACT AREA , 0.00190/.000075 MIN PURE TIN
IN TAIL AREA BOTH OVER 0.00127/.000050 MIN NICKEL
OVERALL.

2- JACK FOR MATING WITH F.C.C. 68 PLUGS (90075 MOLEX SERIES).

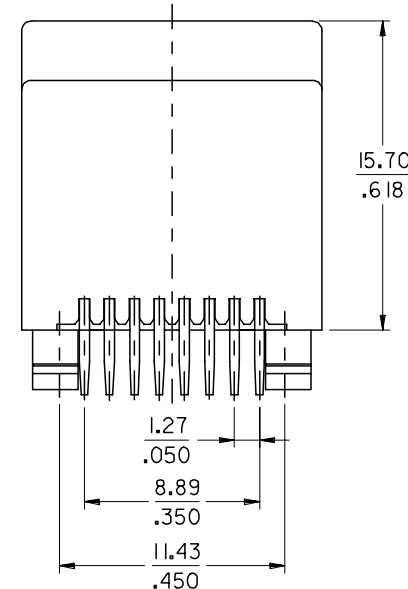
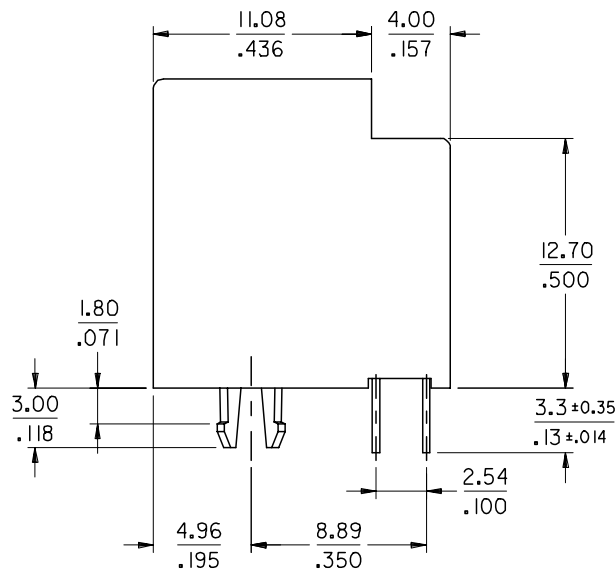
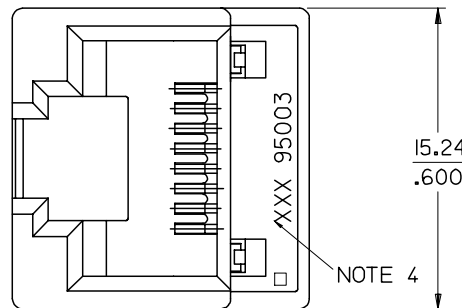
3- PRODUCT SPECIFICATION PS-95503-001 AND PS-85505-001 (SECTION 5.2).

4- MANUFACTURING I.D. CAN BE MG, MXF OR MXI.

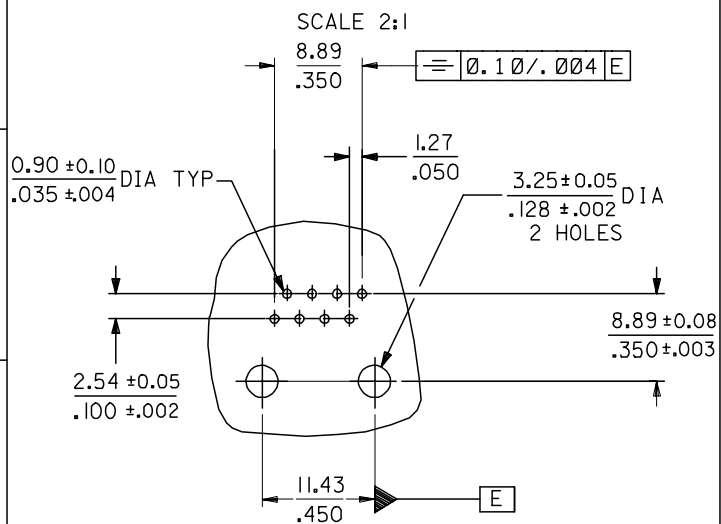
5- PACKAGING SPECIFICATION PK-95003 SHEET 1:
(TRAY PACKAGING).

6- EXCEEDS CATEGORY 5E PERFORMANCE.

7- APPLICATION SPECIFICATION: AS-85513-001



P.C.B. MOUNTING PATTERN
(see from component side)



ORIGINAL LCP EC NO: E2007-0837 DRWN: OBYRNES CHKD: APPR: OBYRNES	2007/04/02 2007/04/02 2007/04/04	DESCRIPTION	QUALITY SYMBOLS	GENERAL TOLERANCES (UNLESS SPECIFIED)	DIMENSION STYLE	SCALE	DESIGN UNITS	THIRD ANGLE PROJECTION												
			$\nabla = 0$ $\sphericalangle = 0$	<table border="1"> <thead> <tr> <th></th> <th>mm</th> <th>INCH</th> </tr> </thead> <tbody> <tr> <td>4 PLACES</td> <td>± ---</td> <td>± ---</td> </tr> <tr> <td>3 PLACES</td> <td>± ---</td> <td>± .006</td> </tr> <tr> <td>2 PLACES</td> <td>± 0.15</td> <td>± .010</td> </tr> <tr> <td>1 PLACE</td> <td>± 0.25</td> <td>± ---</td> </tr> </tbody> </table>		mm	INCH	4 PLACES	± ---	± ---	3 PLACES	± ---	± .006	2 PLACES	± 0.15	± .010	1 PLACE	± 0.25	± ---	MM/IN
	mm	INCH																		
4 PLACES	± ---	± ---																		
3 PLACES	± ---	± .006																		
2 PLACES	± 0.15	± .010																		
1 PLACE	± 0.25	± ---																		
A	REV	DESCRIPTION	DRAFT WHERE APPLICABLE MUST REMAIN WITHIN DIMENSIONS	SIZE A3	DRAWN BY	DATE	TITLE	SHEET NO.												
					HB	99/08/18			HIGH SPEED MODULAR JACK TOP ENTRY LOW PROFILE THROUGH HOLE 8 CKTS	1 OF 1										
					CHECKED BY	DATE	MOLEX INCORPORATED													
					ER	99/08/18														
					APPROVED BY	DATE	MOLEX INCORPORATED													
					FB	99/08/18														
					MATERIAL NO.	DOCUMENT NO.														
					85511-5001	SD-85511-501														
THIS DRAWING CONTAINS INFORMATION THAT IS PROPRIETARY TO MOLEX INCORPORATED AND SHOULD NOT BE USED WITHOUT WRITTEN PERMISSION																				