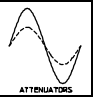
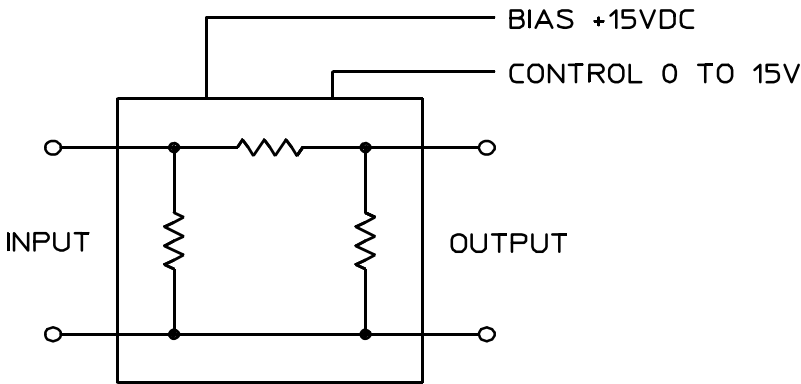


AFF-20A-250

ELECTRONIC ATTENUATOR

10 to 500 MHz / 0 to 20 dB / Multi-Octave / Optimized for Minimum Phase Shift; 3° Typ. / Flatpack



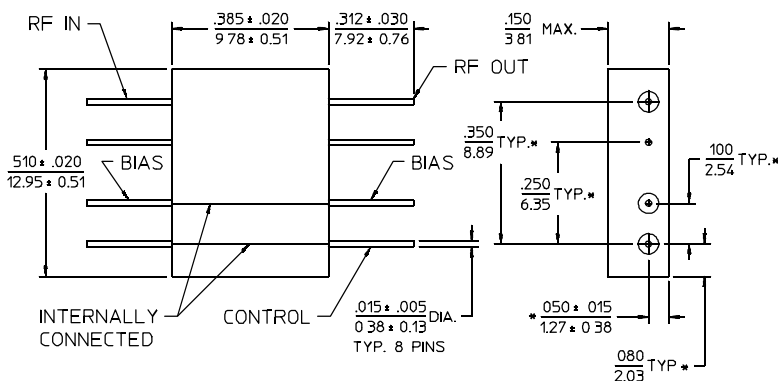
PRINCIPAL SPECIFICATIONS

Operating Frequency Range, MHz	Attenuation Range, dB, Min.	Phase Shift, Typ. Max.	Insertion Loss, Max. @ V _c =15V
10 - 100	0 - 25	3° 6°	3.0 dB
100 - 500	0 - 20	3° 6°	3.0 dB

GENERAL SPECIFICATIONS

Operating Bandwidth: 10 to 500 MHz
 Impedance: 50 Ω nom.
 VSWR: 1.5:1 typ., 2.0:1 max.
 Bias: +15 VDC @ 1 mA nom.
 Control Voltage: 0 to +15 VDC
 Control Current: 0 to 10 mA
 Control Bandwidth: DC to 100 kHz
 Input Intercept Point: +21 dB nom.
 (2 Tone, 3rd Order, @ Input of -10 dBm)
 Switching Time: 20 μs typ.
 (Step Input, 50 Ω Source Impedance)
 Weight 0.1 oz (2.8 grams)
 Operating Temp: -20° to +85°C

A-Size Flatpack Outline



- NOTES: 1. Tolerance on 3 place decimals ± .010(.25) except as noted.
 2. Dimensions in inches over millimeters.
 3. Dimensions marked with * apply only at body.
 4. All unmarked terminals are ground.

General Notes:

- The AFF-20A-250 is a constant impedance, voltage controlled, PIN diode, π network attenuator with compensated circuits to provide constant phase. This unit covers 10 to 500 MHz using electronic voltage control to adjust attenuation. Similar attenuator Model AEF-35A-500 is available for applications not requiring minimal phase shift with change in attenuation.
- Screened versions with extended reliability components are available on request for Hi-Rel applications.

26Apr96

