

ELX-7100-XEN 10GBASE-LX4 XENPAK Module

The ELX-7100-XEN module provides reliable and cost effective optical data transport for 10 Gigabit Ethernet signals—at distances of 10 kilometers over singlemode fiber and 300 meters over legacy multimode fiber. It incorporates the latest Coarse WDM (CWDM) technology and is designed to be used with both 62.5 μ m and 50 μ m multimode fiber. The product is electrically and mechanically compatible with the XENPAK MSA, and meets all 10GBASE-LX4 requirements defined by IEEE 802.3ae-2002, clause 53.

Applications

- 10 Gigabit Ethernet, 4 λ x 3.125 Gb/s
- Legacy multimode fiber applications to 300m
- Singlemode fiber applications to 10km

Features

- IEEE802.3ae 10GBASE-LX4 PMD
- XENPAK MSA compliant form factor
- XAUI four channel electrical interface
- Z-axis front panel pluggable
- SC Duplex optical connector
- MDIO management data I/O

Options

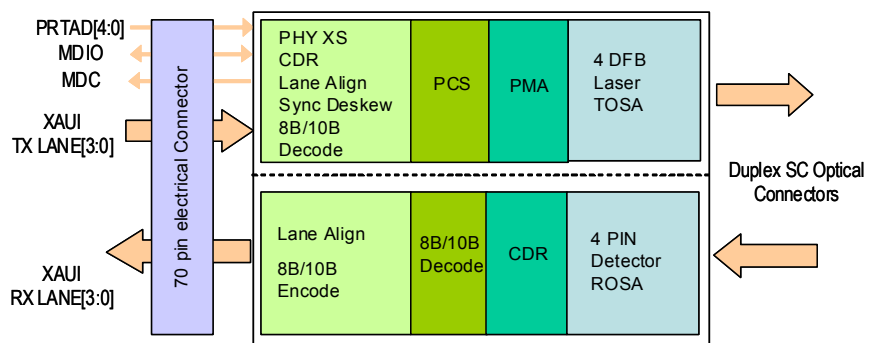
- Extended reach singlemode fiber applications to 40km
- 10 Gigabit Fibre Channel version, 4 λ x 3.1875 Gb/s
- Protocol-independent version

The product transmits data over four wavelengths—1275nm, 1300nm, 1325nm, and 1350nm—by optically combining the outputs of four uncooled DFB lasers. Similarly, in the receive subsection, these four wavelengths are optically demultiplexed and converted to electrical output signals.

The ELX-7100 Series is uniquely suitable for use with legacy multimode fiber, while retaining uncompromised singlemode capabilities, thus providing unparalleled flexibility. It is hot-pluggable and easily accessible at the system front panel.

The product provides a two-wire management data I/O interface (MDIO), which is compliant with both IEEE802.3ae clause 45 and the XENPAK MSA.

Functional Block Diagram



Information contained herein is deemed to be reliable and accurate as of issue date. EMCORE reserves the right to change the design or specifications of the product at any time without notice. EMCORE and the EMCORE logo are trademarks of EMCORE Corporation.