

PLEASE CHECK WWW.MOLEX.COM FOR LATEST PART INFORMATION

Part Number: [1200905078](#)
Status: **Active**
Overview: [nanochange 40m841 products](#)
Description: Nano-Change® (M8) Receptacle, M8 x 1.0 Mounting Threads, Straight Male, Male 0.20m (7.87") Length, Back Mount, with 4 Poles on Mating Side

Documents:

[Drawing \(PDF\)](#) [RoHS Certificate of Compliance \(PDF\)](#)

Agency Certification

UL E152210

General

Product Family Industrial Receptacles
 Series [120090](#)
 IP Rating IP67
 NEMA Rating NEMA 6
 Overview [nanochange 40m841 products](#)
 Product Name Nano-Change® (M8)
 Type Single Ended (pigtail)

Physical

Coupling Type External Thread
 Gender Male
 Keyway None
 Length 0.20m (7.87")
 Material - Component Nickel-plated Brass
 Mounting Thread Size M8 x 1.0
 Orientation Straight
 Panel Mount Back
 Poles 4
 Temperature Range - Operating -25°C to +90°C
 Wire Size AWG 24
 Wire/Cable Type Leads

Electrical

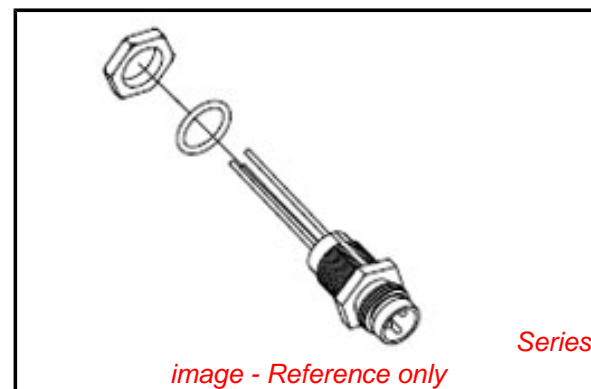
Current - Maximum per Contact 4A
 Voltage - Maximum 60V AC / 75V DC

Material Info

Old Part Number 4R4F46E02C200

Reference - Drawing Numbers

Sales Drawing SD-120090-004



EU RoHS

RoHS Compliant by Exemption
REACH SVHC
 Not Reviewed
Halogen-Free Status
Not Reviewed

China RoHS



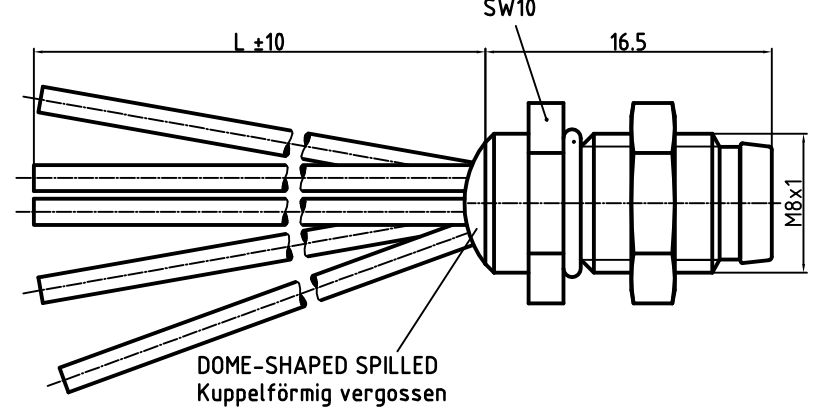
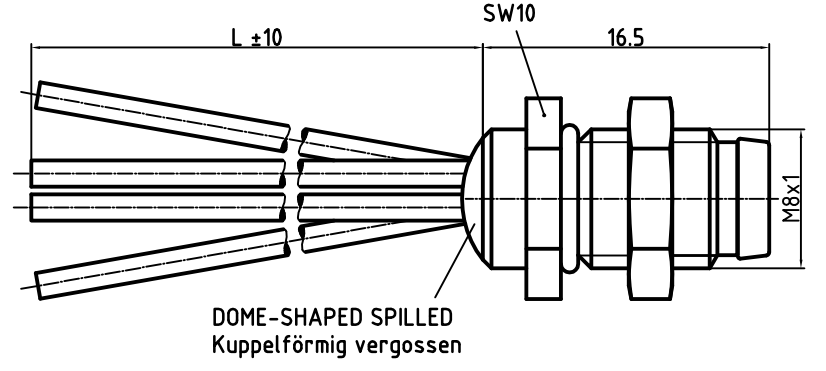
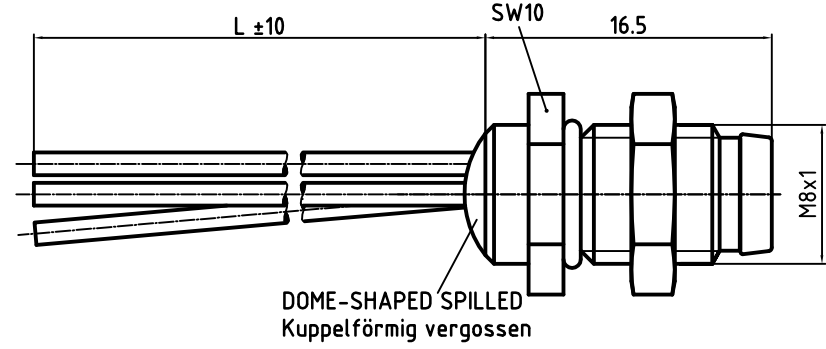
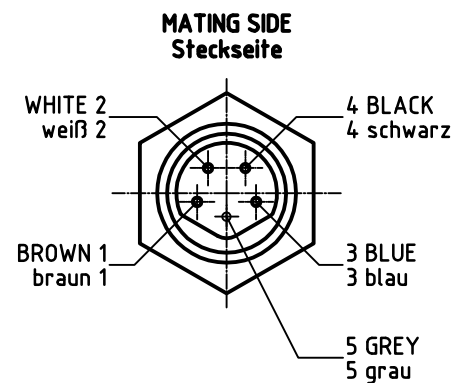
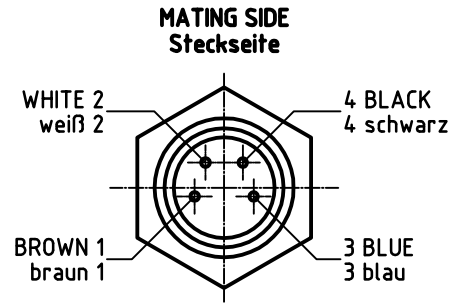
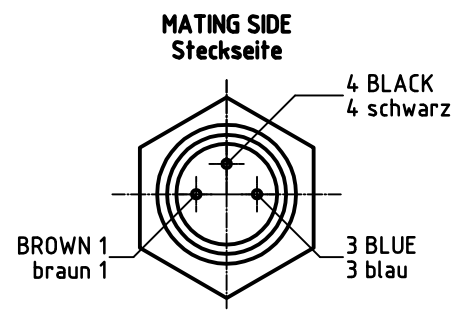
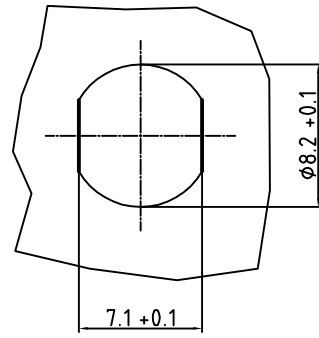
Need more information on product environmental compliance?

Email productcompliance@molex.com
 For a multiple part number RoHS Certificate of Compliance, [click here](#)

Please visit the [Contact Us](#) section for any non-product compliance questions.

Search Parts in this Series
[120090Series](#)

**MOUNTING HOLE
Montageausschnitt**



NOTES / Bemerkung:

1	CRIMP CONTACT Crimp Kontakt	WN-00003
2	CABLE LENGTH TOLERANCE Kabellängentoleranz	WN-00004
3	POTTING Verguss	ES-120000-019
4	PACKAGING FOR RECEPTACLE Verpackung für Gerätestecker	PK-120000-018
5	PIN-ASSIGNMENT Pin-Belegung	IEC 61076-2-104
6	WINDING SPECIFICATION Wickelvorschrift	ES-120000-020

SAP-NUMBER SAP-Nummer	OLD MATERIAL-NO. alte Artikel-Nr.	LENGTH Länge	REPLACED Ersatz für
1200905073	4R3F46E02C200	0.2 M	0908 036GM 09000
1200905103	4R3F46E02C500	0.5 M	0908 036GM 09003
1200905078	4R4F46E02C200	0.2 M	0908 046GM 09000
1200905081	4R5F46E02C200	0.2 M	0908 056GM 09000

DESCRIPTION EC NO.: WEU2009-0457 DRWN: BBRAUCH CH'KD: --- APPR: JKOLB	6/25/09 2009/09/15	QUALITY SYMBOLS ▽ = 0 ▽/C = 0
---	-----------------------	--

GENERAL TOLERANCES (UNLESS SPECIFIED)	
mm	INCH
4 PLACES ±---	±---
3 PLACES ±---	±---
2 PLACES ±0.05	±---
1 PLACE ±0.1	±---
ANGULAR ± ---- °	
DRAFT WHERE APPLICABLE MUST REMAIN WITHIN DIMENSIONS	

DIMENSION STYLE	
MM	
DRAWN BY	DATE
BB	2009/06/25
CHECKED BY	DATE
JKO	2009/08/05
APPROVED BY	DATE
FP	2009/08/05
MATERIAL NO.	
see table	
SIZE	A3

SCALE	2:1	DESIGN UNITS	METRIC	FIRST ANGLE PROJECTION
M8 MALE RECEPTACLES-XM M8 GERÄTESTECKER BACK				
MOLEX INCORPORATED				
DOCUMENT NO.			SD-120090-004	SHEET NO. 1 OF 1
THIS DRAWING CONTAINS INFORMATION THAT IS PROPRIETARY TO MOLEX INCORPORATED AND SHOULD NOT BE USED WITHOUT WRITTEN PERMISSION				