

PLEASE CHECK WWW.MOLEX.COM FOR LATEST PART INFORMATION

Part Number: [0003121121](#)
Status: **Active**
Description: 3.18mm (.125") Diameter, HCS-125 Pin and Socket Receptacle Housing, 12 Circuits, 3 Row, With Panel Mount Ears

Documents:

[3D Model](#) [RoHS Certificate of Compliance \(PDF\)](#)
[Drawing \(PDF\)](#)

Agency Certification

UL E29179

General

Product Family Crimp Housings
 Series [2201](#)
 Product Name HCS-125

Physical

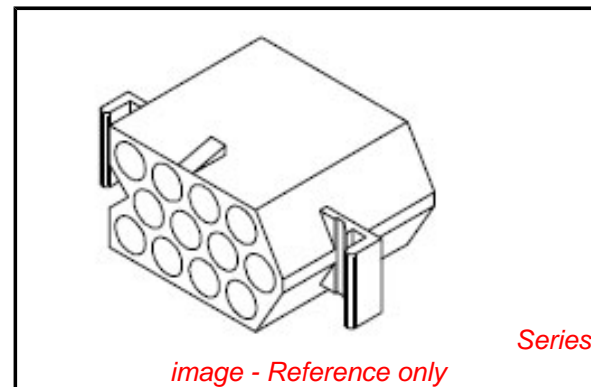
Circuits (maximum) 12
 Color - Resin Natural
 Flammability 94V-2
 Gender Dual
 Glow-Wire Compliant No
 Material - Resin Nylon
 Number of Rows 3
 Packaging Type Bag
 Panel Mount Yes
 Pitch - Mating Interface (in) 0.260 In
 Pitch - Mating Interface (mm) 6.60 mm
 Stackable No
 Temperature Range - Operating -40°C to +105°C

Material Info

Old Part Number 2201-R

Reference - Drawing Numbers

Sales Drawing SD-2201-*



EU RoHS

**ELV and RoHS
 Compliant**
**REACH SVHC
 Contains SVHC: No**
**Halogen-Free
 Status
 Not Reviewed**

China RoHS



**Need more information on product
 environmental compliance?**

Email productcompliance@molex.com
 For a multiple part number RoHS Certificate of
 Compliance, [click here](#)

Please visit the [Contact Us](#) section for any
 non-product compliance questions.

Search Parts in this Series

[2201Series](#)

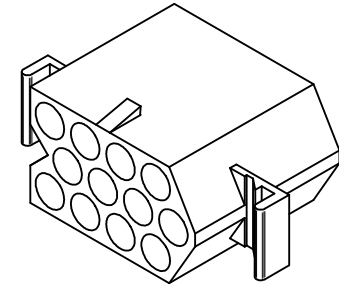
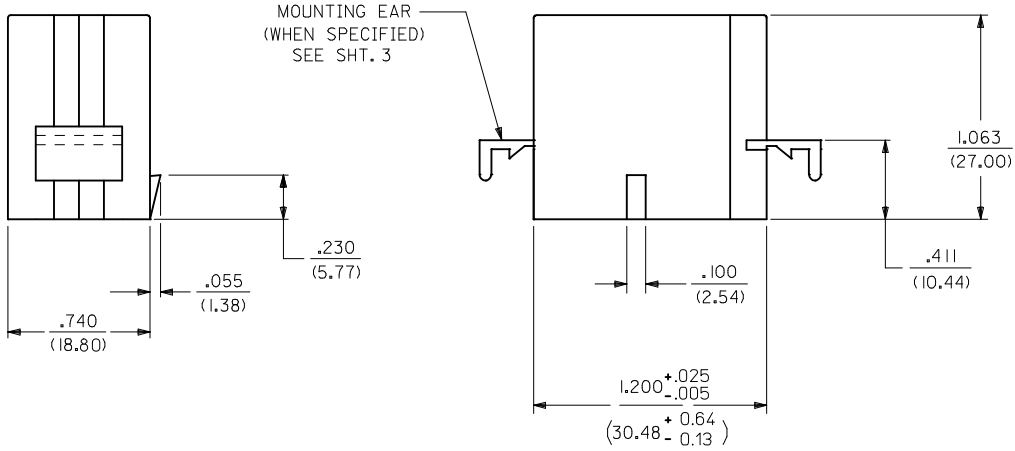
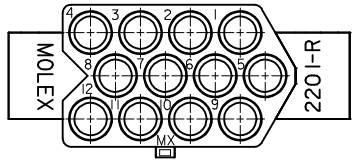
Mates With

[2201p](#)

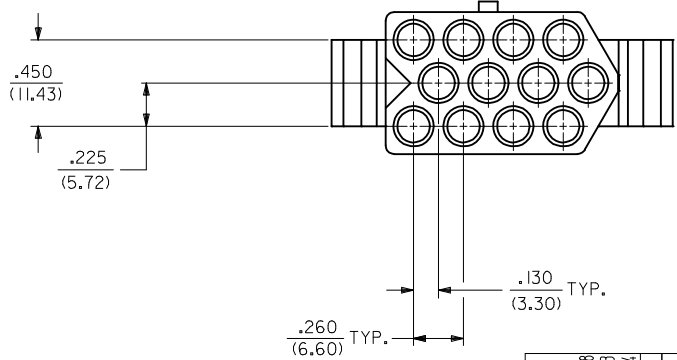
Use With

[8947](#) , [1900](#) male crimp terminals, [1901](#) ,
[2046](#) , [2047](#) , [42546](#) , [42547](#) , [42554](#) , [42555](#)
 , [8946](#)

PLEASE CHECK WWW.MOLEX.COM FOR LATEST PART INFORMATION



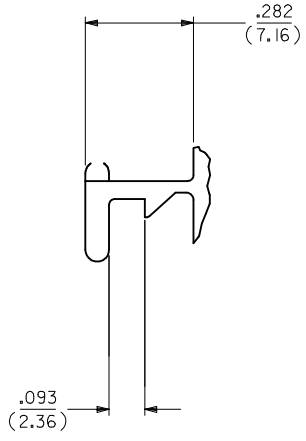
RECEPTACLE 220 I-R



| | | | | | |
|---|---|---|--|--|---|
| REVISE TOLERANCE EC NO: UCP2010-0015 DRWN: AELHAG 2009/07/08 CHKD: J.BELL 2009/07/13 APPR: F.SMITH 2009/07/14 | QUALITY SYMBOLS ▽=0 ▽=0 | GENERAL TOLERANCES (UNLESS SPECIFIED) mm INCH 4 PLACES ± .010 ± .004 3 PLACES ± .015 ± .006 2 PLACES ± 0.25 ± .014 1 PLACE ± 0.35 ± .014 ANGULAR ± 1/2° | DIMENSION STYLE IN/MM DRAWN BY DATE GEP 7/23/87 CHECKED BY DATE RW 7/23/87 APPROVED BY DATE RAS 7/23/87 | SCALE 1:1 DESIGN UNITS INCH THIRD ANGLE PROJECTION | TITLE 12 CIRCUIT HOUSING, PLUG AND RECEPTACLE, .125 DIA. |
| | DRAFT WHERE APPLICABLE MUST REMAIN WITHIN DIMENSIONS | | MATERIAL NO. SEE CHART | DOCUMENT NO. SD-2201-* | SHEET NO. 2 OF 3 |
| | THIS DRAWING CONTAINS INFORMATION THAT IS PROPRIETARY TO MOLEX INCORPORATED AND SHOULD NOT BE USED WITHOUT WRITTEN PERMISSION | | | | |
| | MOLEX INCORPORATED | | | | |

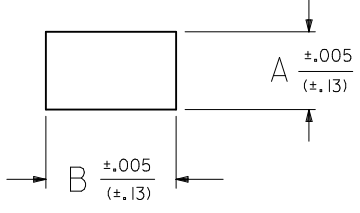
| PLUG | | |
|------------|----------|------------------------------------|
| PART NO. | ENG. NO. | DESCRIPTION |
| 03-12-2121 | 2201-P | PLUG WITH STANDARD EARS (DETAIL 1) |

| RECEPTACLE | | |
|------------|----------|--|
| PART NO. | ENG. NO. | DESCRIPTION |
| 03-12-1121 | 2201-R | RECEPTACLE WITH STANDARD EARS (DETAIL 1) |



DETAIL 1
STANDARD MOUNTING EAR
SCALE 4:1

| MOUNTING PANEL OPENING | | |
|------------------------|--------------|---------------|
| HOUSING | DIM. "A" | DIM. "B" |
| PLUG | .855/(21.72) | 1.460/(37.08) |
| RECEPTACLE | .810/(20.57) | 1.360/(34.54) |



NOTES:

- 1) MATERIAL: NYLON TYPE 6/6, 94V-2, NATURAL.
- 2) FINISH: N/A
- 3) PRODUCT SPECS: NONE.
- 4) PACKAGING SPECS: BULK PACK PER PK-2201-001.
- 5) FOR USE WITH .125/(3.18) DIA. SERIES TERMINALS.
- 6) MAXIMUM PANEL THICKNESS .090/(2.29).

| REV | DESCRIPTION | QUALITY SYMBOLS |
|-----|---|-----------------|
| 1 | ADD NOTES 2, 3&4 EC NO: UCP2007-0022 DRW:NAELHAG 2006/07/21 CHKD:LSCHMIDT 2006/07/21 APPR:FSMLTH 2006/07/21 | =0 =0 |

| GENERAL TOLERANCES (UNLESS SPECIFIED) | |
|--|--------|
| mm | INCH |
| 4 PLACES ± .--- | ± .--- |
| 3 PLACES ± .--- | ± .010 |
| 2 PLACES ± 0.25 | ± .014 |
| 1 PLACE ± 0.35 | ± .--- |
| ANGULAR ± 1/2° | |
| DRAFT WHERE APPLICABLE MUST REMAIN WITHIN DIMENSIONS | |

| DIMENSION STYLE | |
|-----------------|---|
| IN/MM | |
| DRAWN BY | DATE |
| GEP | 7/23/87 |
| CHECKED BY | DATE |
| RW | 7/23/87 |
| APPROVED BY | DATE |
| RAS | 7/23/87 |
| MATERIAL NO. | DOCUMENT NO. |
| SEE CHART | SD-2201-* |
| SIZE | THIS DRAWING CONTAINS INFORMATION THAT IS PROPRIETARY TO MOLEX INCORPORATED AND SHOULD NOT BE USED WITHOUT WRITTEN PERMISSION |

| SCALE | DESIGN UNITS | THIRD ANGLE PROJECTION |
|--|--------------|------------------------|
| 1:1 | INCH | |
| 12 CIRCUIT HOUSINGS, PLUG AND RECEPTACLE, .125 DIA. | | |
| MOLEX INCORPORATED | | SHEET NO. 3 OF 3 |