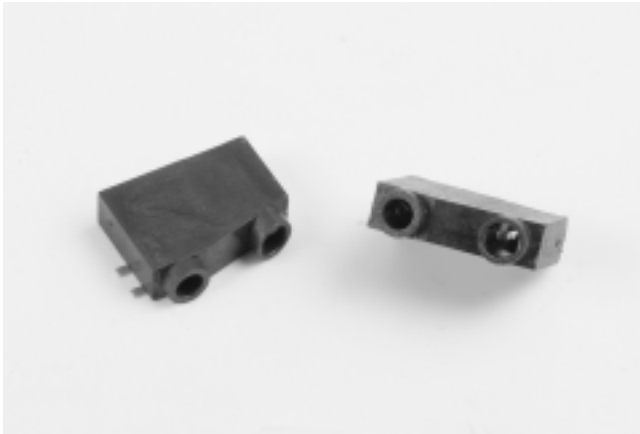


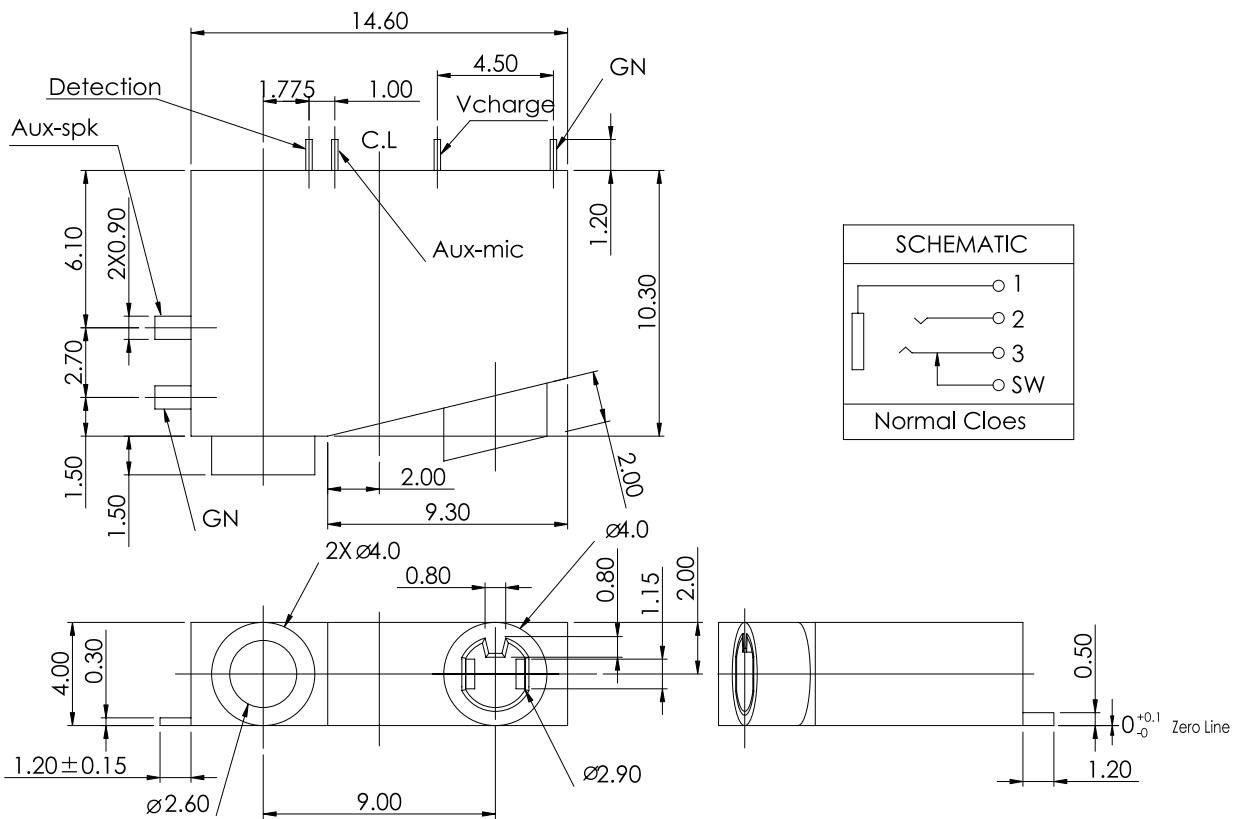
2 in 1 EARPHONE.+ DC JACK WITH SWITCH NORMAL CLOSE TYPE



010163FB Series

Specifications:

- **Insulator Material** : Black High Temp. Plastic
- **Operating Type Range** : -40°C TO +105°C
- **Terminal Material** : Phos. Bronze
- **Platings** : Contact Gold Plated
- **Max. Current Rating** : 1.5A
- **Max. Voltage Rating** : 115V AC
- **Dielectric Strength** : 500V AC For 60 Seconds



Order Information

010163FB006□□00ZL

1 2 3 4 5

1. 'B' : Right Angle SMT Type
 2. No. of pins.
 3. Plating
 4. Color 'Z' : Black
 5. Package
'L' : Reel Package Without Cap
- Reference Page 11

Recommended P.C.B Layout

