

PLEASE CHECK WWW.MOLEX.COM FOR LATEST PART INFORMATION

Part Number: **0191180090**
Status: **Active**
Description: Krimptite™ Flanged Spade Tongue Terminal for 10-12 AWG Wire, Stud Size 10, Length 19.56mm (.770"), Mylar Tape Carrier

Documents:

[Drawing \(PDF\)](#) [RoHS Certificate of Compliance \(PDF\)](#)

Agency Certification

CSA LR18689
 UL E32244

General

Product Family Ring and Spade Terminals
 Series [19118](#)
 Crimp Quality Equipment Yes
 Mil-Spec N/A
 Product Name Krimptite™
 Type Spade

Physical

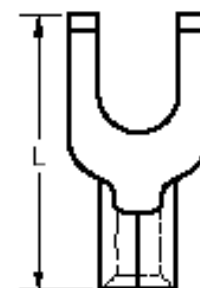
Barrel Type Closed
 Insulation None
 Material - Plating Mating Tin
 Packaging Type Adhesive Tape on Reel
 Stud Size 10 (M5)
 Wire Size AWG 10, 12
 Wire Size mm² 4.00 - 6.00

Material Info

Old Part Number C-117-10T

Reference - Drawing Numbers

Sales Drawing SD-19118-002



*Series
 image - Reference only*

EU RoHS

**ELV and RoHS
 Compliant**
**REACH SVHC
 Contains SVHC: No**
**Halogen-Free
 Status
 Not Reviewed**

China RoHS



**Need more information on product
 environmental compliance?**

Email productcompliance@molex.com
 For a multiple part number RoHS Certificate of
 Compliance, [click here](#)

Please visit the [Contact Us](#) section for any
 non-product compliance questions.

Search Parts in this Series

[19118Series](#)

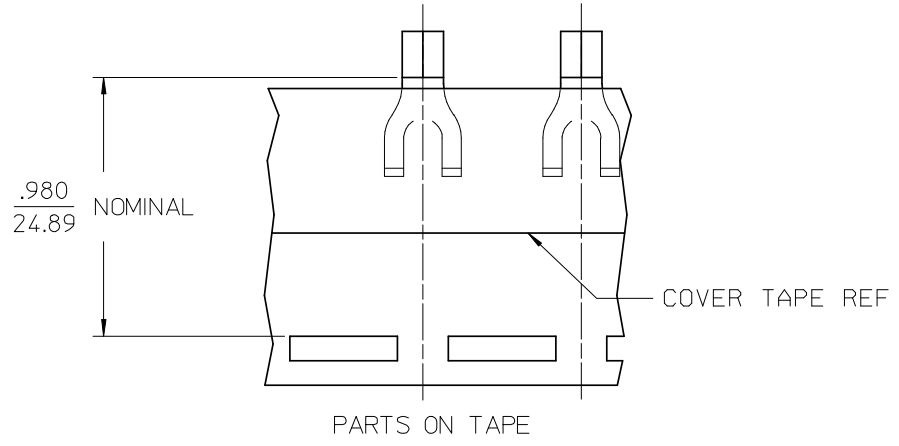
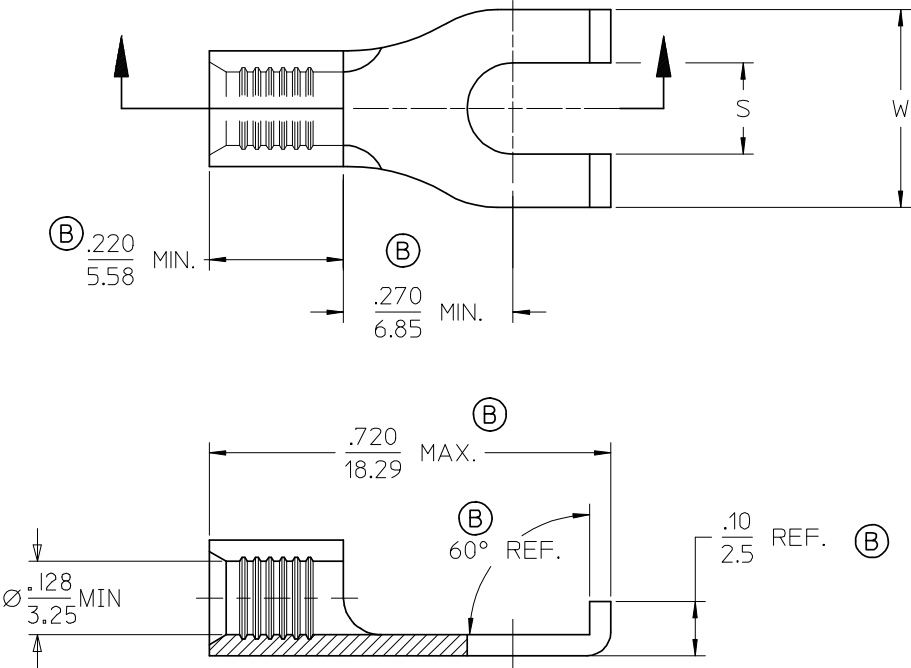
Application Tooling | [FAQ](#)

*Tooling specifications and manuals are
 found by selecting the products below.
 Crimp Height Specifications are then
 contained in the Application Tooling
 Specification document.*

Global

Description	Product #
ATP Perishable Tool Kit, Used in ATP Presses that Process Product on Tape	0190270088
Mini-Mac™ Applicator	0638851000

LOOSE PIECE		TAPE MOUNTED				
MATERIAL NUMBER	ENGINEERING NUMBER	MATERIAL NUMBER	ENGINEERING NUMBER	STUD SIZE	S ±.005	W MAX
191180084	C-117-06	191180130	C-117-06T	6	.146/3.71	.345/8.76 (B)
191180086	C-117-08	191180087	C-117-08T	8	.173/4.39	.385/9.78
191180088	C-117-10	191180090	C-1167-10T	10	.209/5.3 (B)	.385/9.78



SALES DRAWING

- NOTES:
1. MATERIAL: COPPER .040/1.02 THICK
 2. PLATING: ELECTRO-TIN
 3. PART IS RoHS COMPLIANT

ADD NOTE 3. REV. DIMS EC NO: ETC2008-0012 DRWN: RSTONE 2007/11/26 CHKD: JMACNEIL 2007/11/26 APPR: JMACNEIL 2007/12/05	QUALITY SYMBOLS ▽=0 ▽=0	GENERAL TOLERANCES (UNLESS SPECIFIED)		DIMENSION STYLE IN/MM		SCALE 4:1	DESIGN UNITS INCH	THIRD ANGLE PROJECTION		
		4 PLACES ± --- ± ---	3 PLACES ± --- ± .005	2 PLACES ± 0.13 ± .01	1 PLACE ± 0.25 ± ---	ANGULAR ± 5 °	DRAWN BY BENDERLE	DATE 2005/02/07	TITLE FLANGED SPADE TERMINAL, KRIMPTITE, 12-10 AWG	
		DRAFT WHERE APPLICABLE MUST REMAIN WITHIN DIMENSIONS		SEE CHART		MATERIAL NO. SD-19118-002		DOCUMENT NO. SD-19118-002		SHEET NO. 1 OF 1
		THIS DRAWING CONTAINS INFORMATION THAT IS PROPRIETARY TO MOLEX INCORPORATED AND SHOULD NOT BE USED WITHOUT WRITTEN PERMISSION								