

PLEASE CHECK WWW.MOLEX.COM FOR LATEST PART INFORMATION

Part Number: [0471516042](#)
Status: **Active**
Overview: high definition multimedia interface hdmi
Description: 0.50mm (.020") Pitch HDMI* Receptacle, Right Angle, 0.25µm (10µ") Gold (Au) Plating, Front Solder Tab Length 1.80mm (.071"), Shell Nickel (Ni) Plated, with Flange and Back Cover, Black Housing, Tape on Reel Packaging, Lead Free

Documents:

[3D Model](#) [Product Specification PS-47152-001 \(PDF\)](#)
[Drawing \(PDF\)](#) [RoHS Certificate of Compliance \(PDF\)](#)

General

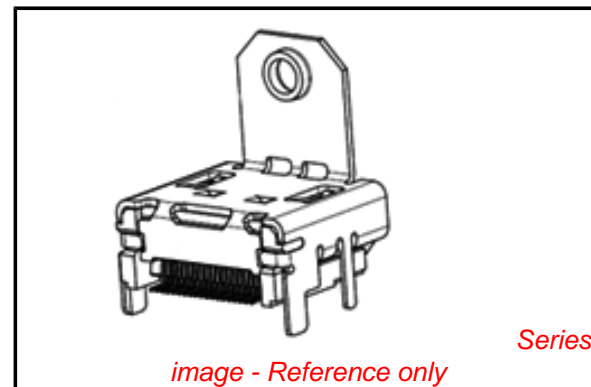
| | |
|----------------|---|
| Product Family | I/O Connectors |
| Series | 47151 |
| Application | Wire-to-Board |
| Component Type | Receptacle |
| Overview | high definition multimedia interface hdmi |
| Product Name | HDMI |
| Type | N/A |

Physical

| | |
|--------------------------------|-----------------------|
| Boot Color | N/A |
| Circuits (Loaded) | 19 |
| Color - Resin | Black |
| Gender | Male |
| Keying to Mating Part | Yes |
| Lock to Mating Part | Yes |
| Material - Metal | Copper Alloy |
| Material - Plating Mating | Gold |
| Material - Plating Termination | Tin-Bismuth |
| Number of Rows | 2 |
| Orientation | Right Angle |
| PCB Locator | No |
| PCB Retention | Yes |
| Packaging Type | Embossed Tape on Reel |
| Panel Mount | With Flange |
| Pitch - Mating Interface (in) | 0.020 In |
| Pitch - Mating Interface (mm) | 0.50 mm |
| Pitch - Term. Interface (in) | 0.020 In |
| Pitch - Term. Interface (mm) | 0.50 mm |
| Plating min: Mating (µin) | 10 |
| Plating min: Mating (µm) | 0.25 |
| Plating min: Termination (µin) | 40 |
| Plating min: Termination (µm) | 1 |
| Polarized to Mating Part | Yes |
| Polarized to PCB | Yes |
| Ports | 1 |
| Temperature Range - Operating | -20°C to +85°C |
| Termination Interface: Style | Surface Mount |
| Waterproof / Dustproof | No |
| Wire Size AWG | N/A |

Electrical

| | |
|-------------------------------|--------|
| Current - Maximum per Contact | .5A |
| Shielded | Yes |
| Voltage - Maximum | 40V DC |



EU RoHS

ELV and RoHS Compliant
REACH SVHC
 Not Reviewed
Halogen-Free Status
 Not Reviewed

China RoHS



Need more information on product environmental compliance?

Email productcompliance@molex.com
 For a multiple part number RoHS Certificate of Compliance, [click here](#)

Please visit the [Contact Us](#) section for any non-product compliance questions.

Search Parts in this Series

[47151Series](#)

Mates With

[88768](#) HDMI cable assembly, [88764](#) HDMI Adapter, [88767](#) HDMI Adapter

Material Info

Reference - Drawing Numbers

| | |
|-------------------------|--------------|
| Packaging Specification | PK-47151-002 |
| Product Specification | PS-47152-001 |
| Sales Drawing | SD-47151-001 |

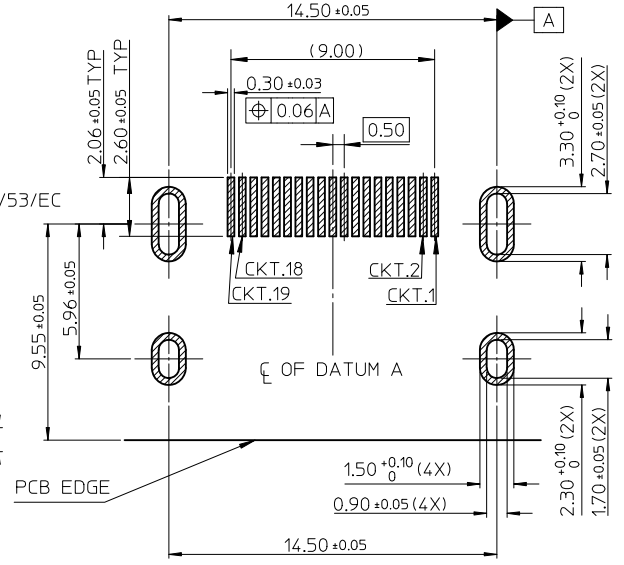
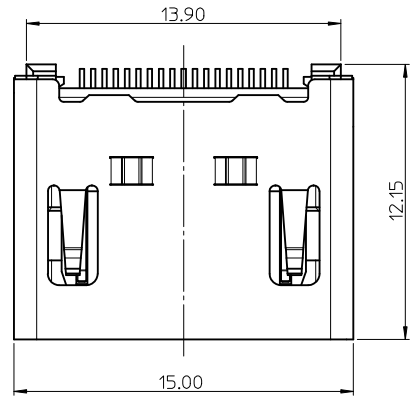
* High Definition Multimedia Interface and HDMI are trademarks of HDMI Licensing, LLC.

This document was generated on 05/19/2010

PLEASE CHECK WWW.MOLEX.COM FOR LATEST PART INFORMATION

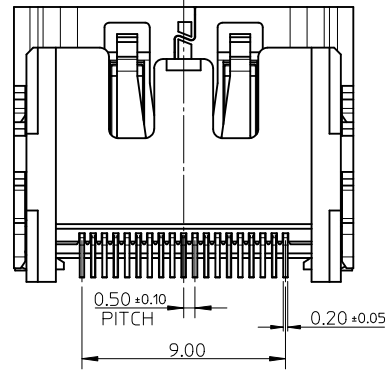
NOTES:

1. MATERIAL:
HOUSING: THERMOPLASTIC . COLOR: SEE TABLE.
SHELL: COPPER ALLOY.
TERMINAL: COPPER ALLOY.
2. PLATING:
TERMINAL:
CONTACT AREA: (1) 0.76 MICROMETER MIN. GOLD PLATING.
(2) 0.25 MICROMETER MIN. GOLD PLATING.
(3) GOLD FLASH.
(4) 0.375 MICROMETER MIN. GOLD PLATING.
SOLDER AREA: 1 MICROMETER MIN. TIN-BISMUTH ALLOY PLATED.
UNDER PLATE: 1.27 MICROMETER MIN. NICKEL.
SHELL: (a) 1.27 MICROMETER MIN. SOLDERABLE NICKEL PLATE OVERALL.
(b) GOLD FLASH PLATING OVER 1.27 MICROMETER MIN. NICKEL PLATING OVERALL.
3. COPLANARITY IS 0.1MM MAX.
4. PRODUCT SPECIFICATION REFER TO PS-47152-001.
5. PACKAGE SPECIFICATION FOR WITHOUT FLANGE REFER TO PK-47151-001.
6. PRODUCT COMPLIANT TO RoHS DEIRECTIVE 2002/95/EC AND ELV DIRECTIVE 2000/53/EC



RECOMMENDED PCB LAYOUT
CONNECTOR SIDE

RECOMMENDED PANEL CUT OUT DIMENSION



| | | | | | | | | | | | |
|--|---|---|------------|-----------------------------------|--------------------|---|------------------------|------------------------------|---------------------|--|--|
| ADD PART NUMBER EC NO: SH2010-0164 DRWN:XOZHANG 2009/10/20 CHKD:GLLI 2009/10/21 APPR:XJISONG 2009/11/30 | QUALITY SYMBOLS F=0 F=0 F=0 | GENERAL TOLERANCES (UNLESS SPECIFIED) | | DIMENSION STYLE MM ONLY | | SCALE 5:1 | DESIGN UNITS METRIC | THIRD ANGLE PROJECTION | | | |
| | | 4 PLACES ± --- ± --- 3 PLACES ± --- ± --- 2 PLACES ± 0.25 ± --- 1 PLACE ± 0.25 ± --- | mm INCH | DRAWN BY RZHANG | DATE 2004/07/20 | TITLE 1.0 HDMI RIGHT ANGLE HEADER ASSEMBLY(19 PIN) LEAD FREE | | | | | |
| | | ANGULAR ± 3 ° | | CHECKED BY GRMA | DATE 2004/07/20 | MOLEX INCORPORATED | | | | | |
| | | DRAFT WHERE APPLICABLE MUST REMAIN WITHIN DIMENSIONS | | APPROVED BY YTYAP | DATE 2004/07/20 | MATERIAL NO. SEE SHEET 6 | | DOCUMENT NO. SD-47151-001 | SHEET NO. 1 OF 8 | | |

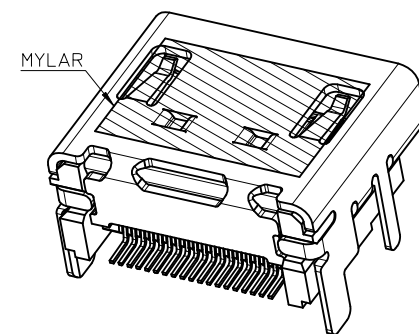
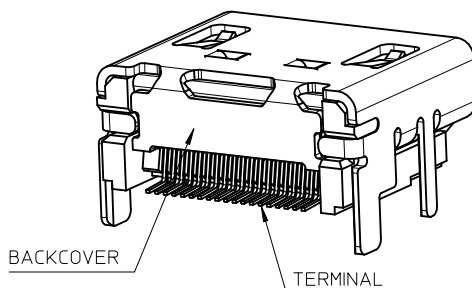
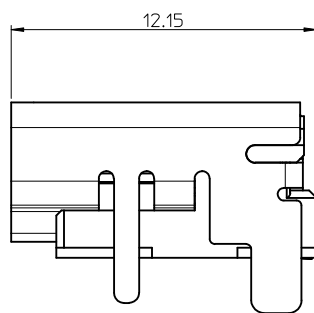
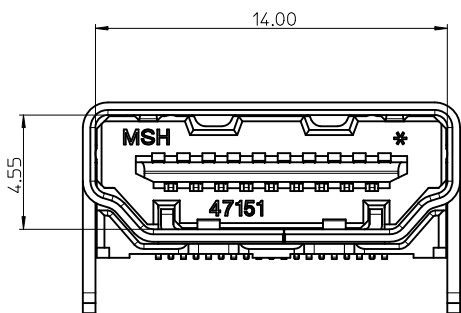


NOTES:

1. THE UNSPECIFIED DIMENSIONS REFER TO SHEET 1.
2. PACKAGE SPECIFICATION FOR WITH FLANGE REFER TO PK-47151-002.

| | | | | | | | | | | | |
|---|--|---|--|-----------------------------|-----------------------------------|--|------------------------------------|-------------------------------------|----------------------------|--|--|
| SEE SHEET 1 EC NO: SH2010-0164 DRWN: XQZHANG CHKD: GLLI APPR: XJ SONG | 2009/10/20 2009/10/21 2009/11/20 | QUALITY SYMBOLS $\nabla_A = 0$ $\nabla_C = 0$ $\nabla_P = 0$ | GENERAL TOLERANCES (UNLESS SPECIFIED) | | DIMENSION STYLE MM ONLY | | SCALE 5:1 | DESIGN UNITS METRIC | THIRD ANGLE PROJECTION | | |
| | | | mm INCH | DRAWN BY RZHANG | DATE 2004/07/20 | TITLE 1.0 HDMI RIGHT ANGLE HEADER ASSEMBLY(19 PIN) LEAD FREE | | | | | |
| | 4 PLACES ± --- ± --- | | 3 PLACES ± --- ± --- | 2 PLACES ± 0.25 ± --- | 1 PLACE ± 0.25 ± --- | CHECKED BY GRMA | DATE 2004/07/20 | MOLEX INCORPORATED | | | |
| | ANGULAR ± 3 ° | | DRAFT WHERE APPLICABLE MUST REMAIN WITHIN DIMENSIONS | | APPROVED BY YTYAP | DATE 2004/07/20 | MATERIAL NO. SEE SHEET 6 | DOCUMENT NO. SD-47151-001 | SHEET NO. 2 OF 8 | | |

WITH BACK COVER



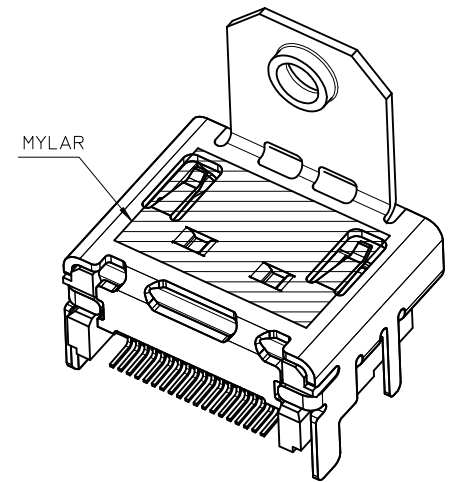
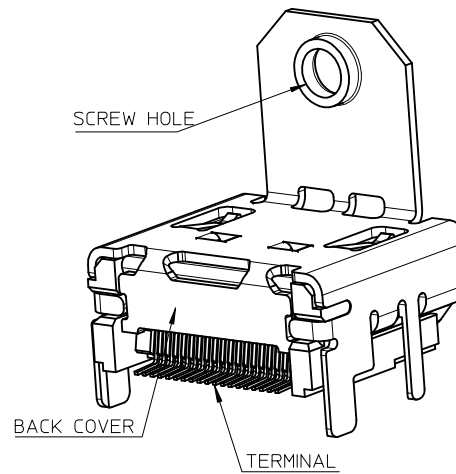
NOTES:

1. THE UNSPECIFIED DIMENSIONS REFER TO 47151-0001.
2. PACKAGE SPECIFICATION FOR WITHOUT FLANGE REFER TO PK-47151-001.

THIS IS ONLY FOR 47151-1061/1071/1081

| | | | | | | | | |
|--|--|--------------------|--|---|--|---------------------|------------------------|------------------------|
| SEE SHEET 1 EC NO: SH2010-0164 DRWN: XQZHANG CHKD: GLLI APPR: XJSONG | 2009/10/20 2009/10/21 2009/11/30 | DESCRIPTION REV | QUALITY SYMBOLS | GENERAL TOLERANCES (UNLESS SPECIFIED) | DIMENSION STYLE MM ONLY | SCALE 5:1 | DESIGN UNITS METRIC | THIRD ANGLE PROJECTION |
| | | | $\nabla_A = 0$ $\nabla_B = 0$ $\nabla_C = 0$ | mm INCH 4 PLACES ± --- ± --- 3 PLACES ± --- ± --- 2 PLACES ± 0.25 ± --- 1 PLACE ± 0.25 ± --- ANGULAR ± 3 ° | DRAWN BY DATE RZHANG 2004/07/20 CHECKED BY DATE GRMA 2004/07/20 APPROVED BY DATE YTYAP 2004/07/20 | TITLE | | |
| | | | DRAFT WHERE APPLICABLE MUST REMAIN WITHIN DIMENSIONS | MATERIAL NO. SEE SHEET 7 | MOLEX INCORPORATED SD-47151-001 | SHEET NO. 3 OF 8 | | |
| | | | SIZE A3 | THIS DRAWING CONTAINS INFORMATION THAT IS PROPRIETARY TO MOLEX INCORPORATED AND SHOULD NOT BE USED WITHOUT WRITTEN PERMISSION | | | | |

WITH BACK COVER



THIS IS ONLY FOR
47151-1025/1075/1085/6022/6032/1026/2062

NOTES:

1. THE UNSPECIFIED DIMENSIONS REFER TO 47151-0002.
2. PACKAGE SPECIFICATION FOR WITH FLANGE:
 OPTION 1: 47151-1026/2062/6032 REFER TO PK-47151-005.
 OPTION 2: 47151-1102 REFER TO PK-47151-003.
 OPTION 3: OTHER PART NUMBER REFER TO PK-47151-002.

| | | | | | | | | | | |
|--|--|--------------------|---|---|---|------------------|--------------|--|--|--|
| SEE SHEET 1 EC NO: SH2010-0164 DRW: XQZHANG CHK: GLLI APPR: XJSONG | 2009/10/20 2009/10/21 2009/11/30 | DESCRIPTION REV | QUALITY SYMBOLS | GENERAL TOLERANCES (UNLESS SPECIFIED) | DIMENSION STYLE | SCALE | DESIGN UNITS | THIRD ANGLE PROJECTION | | |
| | | | $\nabla_A = 0$ $\nabla_C = 0$ $\nabla_B = 0$ | mm INCH 4 PLACES ± --- ± --- 3 PLACES ± --- ± --- 2 PLACES ± 0.25 ± --- 1 PLACE ± 0.25 ± --- ANGULAR ± 3 ° | MM ONLY | 5:1 | METRIC | DRAWN BY: RZHANG CHECKED BY: GRMA APPROVED BY: YTYAP MATERIAL NO. | DATE: 2004/07/20 DATE: 2004/07/20 DATE: 2004/07/20 | TITLE: 1.0 HDMI RIGHT ANGLE HEADER ASSEMBLY(19 PIN) LEAD FREE MOLEX INCORPORATED DOCUMENT NO. SD-47151-001 |
| | | | DRAFT WHERE APPLICABLE MUST REMAIN WITHIN DIMENSIONS | SEE SHEET 8 | SIZE: A3 THIS DRAWING CONTAINS INFORMATION THAT IS PROPRIETARY TO MOLEX INCORPORATED AND SHOULD NOT BE USED WITHOUT WRITTEN PERMISSION | SHEET NO. 4 OF 8 | | | | |



WITHOUT TOP HOLE



NOTES:
 1. THE UNSPECIFIED DIMENSIONS REFER TO 47151-1102.
 2. PACKAGE SPECIFICATION FOR WITH FLANGE REFER TO PK-47151-002.

| | | | | | | | | | | |
|---|--|---|---------------------------------------|--------------|---|--------------------|--------------|------------------------|--|--|
| SEE SHEET 1 IEC NO: SH2010-0164 DRWN: XZZHANG CH'KD: GLLI APPR: XJ.SONG | 2009/10/20 2009/10/21 2009/11/30 | DESCRIPTION QUALITY SYMBOLS △ _F =0 △ _F =0 △ _F =0 | GENERAL TOLERANCES (UNLESS SPECIFIED) | | DIMENSION STYLE | SCALE | DESIGN UNITS | THIRD ANGLE PROJECTION | | |
| | | | | | MM ONLY | 5:1 | METRIC | | | |
| | | | | | DRAWN BY | DATE | TITLE | | | |
| | | | | | 3 PLACES | ± --- ± --- | RZHANG | 2004/07/20 | 1.0 HDMI RIGHT ANGLE HEADER ASSEMBLY(19 PIN) LEAD FREE | |
| | | 2 PLACES | ± 0.25 ± --- | CHECKED BY | DATE | MOLEX INCORPORATED | | | | |
| | | 1 PLACE | ± 0.25 ± --- | GRMA | 2004/07/20 | | | | | |
| | | ANGULAR ± 3 ° | | APPROVED BY | DATE | SD-47151-001 | | | | |
| | | DRAFT WHERE APPLICABLE MUST REMAIN WITHIN DIMENSIONS | | YTYAP | 2004/07/20 | | | | | |
| | | | | MATERIAL NO. | DOCUMENT NO. | SHEET NO. | | | | |
| | | | | SEE SHEET 7 | | 5 OF 8 | | | | |
| | | | | SIZE | THIS DRAWING CONTAINS INFORMATION THAT IS PROPRIETARY TO MOLEX INCORPORATED AND SHOULD NOT BE USED WITHOUT WRITTEN PERMISSION | | | | | |
| | | | | A3 | | | | | | |

| ASSEMBLY P/N | DIMENSION | | | | | FEATURE | | | | HOUSING COLOUR | GOLD PLATING IN CONTACT AREA | SHELL PLATING | REMARK | | | |
|--------------|-----------|-------|----------|-------|-------|---------|------------|-----------|-------|----------------|------------------------------|----------------|-------------|----------------|----------------|----------------|
| | DIM A | DIM B | DIM C | DIM D | DIM E | FLANGE | BACK COVER | TOP HOLES | MYLAR | | | | | | | |
| 47151-0001 | 1.80 | 2.20 | / | / | / | W/O | W/O | WITH | W/O | BLACK | SEE NOTE 2 (1) | SEE NOTE 2 (a) | FOR SHEET 1 | | | |
| 47151-0041 | | | | | | | | | | | | | | SEE NOTE 2 (2) | | |
| 47151-0051 | | | | | | | | | | | | | | SEE NOTE 2 (3) | | |
| 47151-0011 | | | | | | | | | | | | | | SEE NOTE 2 (1) | | |
| 47151-0071 | | | | | | | | | | | | | | SEE NOTE 2 (2) | | |
| 47151-0061 | | | | | | | | | | | | | | SEE NOTE 2 (3) | | |
| 47151-0021 | | | | | | | | | | | | | | SEE NOTE 2 (1) | | |
| 47151-0031 | | | | | | | | | | | | | | SEE NOTE 2 (1) | | |
| 47151-0101 | 1.45 | 1.45 | / | / | / | W/O | W/O | WITH | W/O | BLACK | SEE NOTE 2 (1) | SEE NOTE 2 (a) | | FOR SHEET 2 | | |
| 47151-0141 | | | | | | | | | | | | | | | SEE NOTE 2 (2) | |
| 47151-0151 | | | | | | | | | | | | | | | SEE NOTE 2 (3) | |
| 47151-0111 | | | | | | | | | | | | | | | SEE NOTE 2 (1) | |
| 47151-0181 | | | | | | | | | | | | | | | SEE NOTE 2 (2) | |
| 47151-0161 | | | | | | | | | | | | | | | SEE NOTE 2 (3) | |
| 47151-0121 | | | | | | | | | | | | | | | SEE NOTE 2 (1) | |
| 47151-0131 | | | | | | | | | | | | | | | SEE NOTE 2 (1) | |
| 47151-0002 | 1.80 | 2.20 | M3.0x0.5 | 16.08 | 13.38 | WITH | W/O | WITH | W/O | BLACK | SEE NOTE 2 (1) | SEE NOTE 2 (a) | FOR SHEET 2 | | | |
| 47151-0042 | | | | | | | | | | | | | | | SEE NOTE 2 (2) | |
| 47151-0062 | | | | | | | | | | | | | | | SEE NOTE 2 (3) | |
| 47151-0012 | | | | | | | | | | | | | | | SEE NOTE 2 (1) | |
| 47151-0052 | | | | | | | | | | | | | | | SEE NOTE 2 (2) | |
| 47151-0072 | | | | | | | | | | | | | | | SEE NOTE 2 (3) | |
| 47151-0022 | | | | | | | | | | | | | | | SEE NOTE 2 (1) | |
| 47151-0032 | | | | | | | | | | | | | | | SEE NOTE 2 (1) | |
| 47151-0102 | 1.45 | 1.45 | M3.0x0.5 | 16.08 | 13.38 | WITH | W/O | WITH | W/O | BLACK | SEE NOTE 2 (1) | SEE NOTE 2 (a) | | FOR SHEET 2 | | |
| 47151-0142 | | | | | | | | | | | | | | | SEE NOTE 2 (2) | |
| 47151-0162 | | | | | | | | | | | | | | | SEE NOTE 2 (3) | |
| 47151-0112 | | | | | | | | | | | | | | | SEE NOTE 2 (1) | |
| 47151-0152 | | | | | | | | | | | | | | | SEE NOTE 2 (2) | |
| 47151-0172 | | | | | | | | | | | | | | | SEE NOTE 2 (3) | |
| 47151-0122 | | | | | | | | | | | | | | | SEE NOTE 2 (1) | |
| 47151-0132 | | | | | | | | | | | | | | | SEE NOTE 2 (1) | |
| 47151-6002 | 1.80 | 2.20 | M3.0x0.5 | 14.25 | 11.28 | WITH | W/O | WITH | W/O | BLACK | SEE NOTE 2 (1) | SEE NOTE 2 (a) | FOR SHEET 2 | | | |
| 47151-6062 | | | | | | | | | | | | | | | SEE NOTE 2 (2) | |
| 47151-6082 | | | | | | | | | | | | | | | SEE NOTE 2 (3) | |
| 47151-6102 | 1.45 | 1.45 | M3.0x0.5 | 14.25 | 11.28 | WITH | W/O | WITH | W/O | BLACK | SEE NOTE 2 (1) | SEE NOTE 2 (a) | | | FOR SHEET 2 | |
| 47151-6172 | | | | | | | | | | | | | | | | SEE NOTE 2 (2) |
| 47151-6162 | | | | | | | | | | | | | | | | SEE NOTE 2 (3) |

| | | | | | | | | | |
|--|--|--|--|-----------------------------------|--------------------|---|-------------------------------|------------------------|--|
| SEE SHEET 1 EC NO: SH2010-0164 2009/10/20 DRWN:XOZHANG 2009/10/21 CHKD:GLL 2009/10/21 APPR:XJ.SONG 2009/11/30 | QUALITY SYMBOLS $F_A=0$ $F_C=0$ $F_P=0$ | GENERAL TOLERANCES (UNLESS SPECIFIED) | | DIMENSION STYLE MM ONLY | | SCALE 1:1 | DESIGN UNITS METRIC | THIRD ANGLE PROJECTION | |
| | | | | DRAWN BY RZHANG | DATE 2004/07/20 | TITLE 1.0 HDMI RIGHT ANGLE HEADER ASSEMBLY(19 PIN) LEAD FREE | | | |
| | | | | CHECKED BY GRMA | DATE 2004/07/20 | APPROVED BY YTYAP | | | |
| | | | | MATERIAL NO. SEE TABLE | | DOCUMENT NO. SD-47151-001 | | | |
| | | DRAFT WHERE APPLICABLE MUST REMAIN WITHIN DIMENSIONS | | SIZE A3 | | THIS DRAWING CONTAINS INFORMATION THAT IS PROPRIETARY TO MOLEX INCORPORATED AND SHOULD NOT BE USED WITHOUT WRITTEN PERMISSION | | | |

| ASSEMBLY P/N | DIMENSION | | | | | FEATURE | | | | HOUSING COLOUR | GOLD PLATING IN CONTACT AREA | SHELL PLATING | REMARK |
|--------------|-----------|-------|----------|-------|-------|---------|------------|-----------|-------|------------------------------------|--|----------------|-------------|
| | DIM A | DIM B | DIM C | DIM D | DIM E | FLANGE | BACK COVER | TOP HOLES | MYLAR | | | | |
| 47151-1001 | 1.80 | 2.20 | / | / | / | W/O | WITH | WITH | W/O | BLACK | SEE NOTE 2 (1) SEE NOTE 2 (2) SEE NOTE 2 (3) SEE NOTE 2 (4) | SEE NOTE 2 (a) | FOR SHEET 3 |
| 47151-1041 | | | | | | | | | | | | | |
| 47151-1051 | | | | | | | | | | | | | |
| 47151-1003 | | | | | | | | | | | | | |
| 47151-1061 | | | | | | | | | | | | | |
| 47151-1071 | | | | | | | | | | | | | |
| 47151-1081 | | | | | | | | | | | | | |
| 47151-1011 | | | | | | | | | | | | | |
| 47151-1211 | | | | | | | | | | | | | |
| 47151-1311 | | | | | | | | | | | | | |
| 47151-1021 | | | | | | | | | | | | | |
| 47151-1091 | | | | | | | | | | | | | |
| 47151-1031 | | | | | | | | | | | | | |
| 47151-1101 | | | | | | | | | | | | | |
| 47151-1141 | 1.45 | 1.45 | / | / | / | W/O | WITH | WITH | W/O | BLACK NATURE BLACK NATURE | SEE NOTE 2 (1) SEE NOTE 2 (2) SEE NOTE 2 (3) SEE NOTE 2 (1) SEE NOTE 2 (2) SEE NOTE 2 (3) SEE NOTE 2 (1) SEE NOTE 2 (2) | SEE NOTE 2 (a) | FOR SHEET 5 |
| 47151-1151 | | | | | | | | | | | | | |
| 47151-1111 | | | | | | | | | | | | | |
| 47151-1161 | | | | | | | | | | | | | |
| 47151-1171 | | | | | | | | | | | | | |
| 47151-1121 | | | | | | | | | | | | | |
| 47151-1131 | | | | | | | | | | | | | |
| 47151-7102 | | | | | | | | | | | | | |
| 47151-7142 | 1.45 | 1.45 | M3.0x0.5 | 16.08 | 13.38 | WITH | WITH | W/O | W/O | BLACK | SEE NOTE 2 (1) SEE NOTE 2 (2) | SEE NOTE 2 (a) | FOR SHEET 5 |
| 47151-7162 | | | | | | | | | | | | | |

| | | | | | | | | | |
|--|---|---|--------------|-----------------------------------|--------------------|--|-------------------------------|------------------------|--|
| SEE SHEET 1 EC NO: SH2010-0164 DRWN: XZHANG 2009/10/20 CHKD: GLLI 2009/10/21 APPR: XJISONG 2009/11/30 | QUALITY SYMBOLS $\nabla_A = 0$ $\nabla_B = 0$ $\nabla_C = 0$ | GENERAL TOLERANCES (UNLESS SPECIFIED) | | DIMENSION STYLE MM ONLY | | SCALE 1:1 | DESIGN UNITS METRIC | THIRD ANGLE PROJECTION | |
| | | 4 PLACES \pm --- \pm --- 3 PLACES \pm --- \pm --- 2 PLACES \pm 0.25 \pm --- 1 PLACE \pm 0.25 \pm --- | mm INCH | DRAWN BY RZHANG | DATE 2004/07/20 | TITLE 1.0 HDMI RIGHT ANGLE HEADER ASSEMBLY(19 PIN) LEAD FREE | | | |
| | | ANGULAR \pm 3 ° | | CHECKED BY GRMA | DATE 2004/07/20 | MOLEX INCORPORATED | | | |
| | | DRAFT WHERE APPLICABLE MUST REMAIN WITHIN DIMENSIONS | | APPROVED BY YTYAP | DATE 2004/07/20 | MATERIAL NO. SEE TABLE | DOCUMENT NO. SD-47151-001 | SHEET NO. 7 OF 8 | |

| ASSEMBLY P/N | DIMENSION | | | | | FEATURE | | | | HOUSING COLOUR | GOLD PLATING IN CONTACT AREA | SHELL PLATING | REMARK | | | | | | | |
|--------------|-----------|--|----------|-------|--|---------|------------|-----------|-------|----------------|--|----------------|-------------|----------------------------------|----------------------------------|--------|----------------|------|------|--|
| | DIM A | DIM B | DIM C | DIM D | DIM E | FLANGE | BACK COVER | TOP HOLES | MYLAR | | | | | | | | | | | |
| 47151-1002 | 1.80 | 2.20 | M3.0x0.5 | 16.08 | 13.38 | WITH | WITH | WITH | W/O | BLACK | SEE NOTE 2 (1) SEE NOTE 2 (2) SEE NOTE 2 (3) SEE NOTE 2 (4) | SEE NOTE 2 (a) | FOR SHEET 4 | | | | | | | |
| 47151-1042 | | | | | | | | | | | | | | | | | | | | |
| 47151-1052 | | | | | | | | | | | | | | | | | | | | |
| 47151-1062 | | | | | | | | | | | | | | | | | | | | |
| 47151-2062 | | | | | | | | | | | | | | | | | | | | |
| 47151-1012 | | | | | | | | | W/O | NATURE | SEE NOTE 2 (1) SEE NOTE 2 (2) SEE NOTE 2 (3) | | | | | | | | | |
| 47151-1072 | | | | | | | | | | | | | | | | | | | | |
| 47151-1082 | | | | | | | | | | | | | | | | | | | | |
| 47151-1022 | | | | | | | | | | | | | | BLACK | SEE NOTE 2 (1) | | | | | |
| 47151-1032 | | | | | | | | | | | | | | | | NATURE | SEE NOTE 2 (1) | | | |
| 47151-1102 | 1.45 | 1.45 | M3.0x0.5 | 16.08 | 13.38 | WITH | WITH | WITH | W/O | BLACK | SEE NOTE 2 (1) SEE NOTE 2 (2) SEE NOTE 2 (3) SEE NOTE 2 (1) | | | | | | | | | |
| 47151-1142 | | | | | | | | | | | | | | | | | | | | |
| 47151-1152 | | | | | | | | | | | | | | | | | | | | |
| 47151-1112 | | | | | | | | | | | | | | | | | | | | |
| 47151-1162 | | | | | | | | | | | | NATURE | | SEE NOTE 2 (2) SEE NOTE 2 (3) | | | | | | |
| 47151-1172 | | | | | | | | | | | | | | | | | | | | |
| 47151-1122 | | | | | | | | | BLACK | SEE NOTE 2 (1) | | | | | | | | | | |
| 47151-1132 | | | | | | | | | | | NATURE | | | | SEE NOTE 2 (1) | | | | | |
| 47151-1005 | | | | | | | | | 1.80 | 2.20 | 4-40 | | | | 16.08 | 13.38 | WITH | WITH | WITH | W/O |
| 47151-1045 | | | | | | | | | | | | | | | | | | | | |
| 47151-1065 | | | | | | | | | | | | | | | | | | | | |
| 47151-1015 | | | | | | | | | | | | | | | | | | | | |
| 47151-1035 | NATURE | SEE NOTE 2 (1) SEE NOTE 2 (2) SEE NOTE 2 (3) | | | | | | | | | | | | | | | | | | |
| 47151-1055 | | | | | | | | | | | | | | | | | | | | |
| 47151-1025 | | | WITH | BLACK | SEE NOTE 2 (1) SEE NOTE 2 (2) SEE NOTE 2 (3) | | | | | | | | | | | | | | | |
| 47151-1075 | | | | | | | | | | | | | | | | | | | | |
| 47151-1085 | | | | | | | | | | | | | | | | | | | | |
| 47151-1026 | 1.80 | 2.20 | M3.0x0.5 | 14.25 | 11.28 | WITH | WITH | WITH | | | | W/O | | BLACK | | | | | | SEE NOTE 2 (1) SEE NOTE 2 (2) SEE NOTE 2 (3) |
| 47151-6012 | | | | | | | | | | | | | | | | | | | | |
| 47151-6042 | | | | | | | | | | | | | | | | | | | | |
| 47151-6052 | | | | | | | | | WITH | BLACK | SEE NOTE 2 (1) SEE NOTE 2 (2) SEE NOTE 2 (3) | | | | | | | | | |
| 47151-6022 | | | | | | | | | | | | | | | | | | | | |
| 47151-6032 | | | | | | | | | | | | | | | | | | | | |
| 47151-6112 | | | | | | | | | | | | W/O | | BLACK | SEE NOTE 2 (1) SEE NOTE 2 (2) | | | | | |
| 47151-6142 | | | | | | | | | | | | | | | | | | | | |
| 47151-6152 | | | | | | | | | | | | | | | | | | | | |

| | | | | | | | | | | | |
|--|--|---|---------------------------------------|-------------|----------------------|---|--------------|------------------------|--|--|--|
| SEE SHEET 1 EC NO: SH2010-0164 DRWN: XZHUANG CH'KD: GLLI APPR: XJ.SONG | 2009/10/20 2009/10/21 2009/11/30 | QUALITY SYMBOLS $\nabla_A = 0$ $\nabla_B = 0$ $\nabla_C = 0$ | GENERAL TOLERANCES (UNLESS SPECIFIED) | | DIMENSION STYLE | SCALE | DESIGN UNITS | THIRD ANGLE PROJECTION | | | |
| | | | | | MM ONLY | 1:1 | METRIC | | | | |
| | | | | | mm | INCH | DRAWN BY | DATE | TITLE | | |
| | | | | | 4 PLACES ± --- ± --- | | RZHANG | 2004/07/20 | 1.0 HDMI RIGHT ANGLE HEADER ASSEMBLY(19 PIN) LEAD FREE | | |
| | | 3 PLACES ± --- ± --- | | CHECKED BY | DATE | MOLEX INCORPORATED | | | | | |
| | | 2 PLACES ± 0.25 ± --- | | GRMA | 2004/07/20 | SD-47151-001 | | | | | |
| | | 1 PLACE ± 0.25 ± --- | | APPROVED BY | DATE | 8 OF 8 | | | | | |
| | | ANGULAR ± 3 ° | | YTYAP | 2004/07/20 | THIS DRAWING CONTAINS INFORMATION THAT IS PROPRIETARY TO MOLEX INCORPORATED AND SHOULD NOT BE USED WITHOUT WRITTEN PERMISSION | | | | | |
| | | DRAFT WHERE APPLICABLE MUST REMAIN WITHIN DIMENSIONS | | SEE TABLE | | | | | | | |