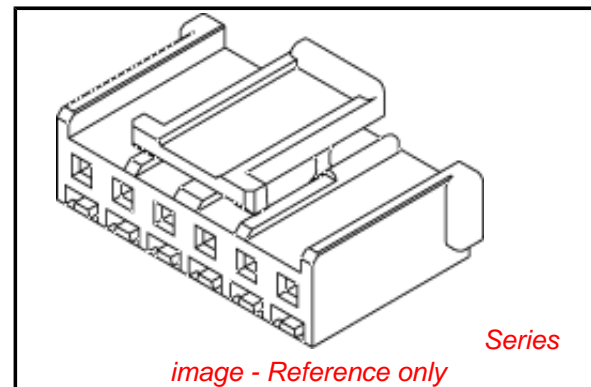


PLEASE CHECK WWW.MOLEX.COM FOR LATEST PART INFORMATION

Part Number: **0511030900**
Status: **Active**
Description: 2.50mm (.098") Pitch Wire-to-Wire and Wire-to-Board Housing, Positive Lock, 9 Circuits

Documents:

3D Model	Product Specification PS-51103-007 (PDF)
Drawing (PDF)	Product Specification PS-51103-024 (PDF)
Product Specification PS-51103-001 (PDF)	Product Specification PS-51103-026 (PDF)
Product Specification PS-51103-002 (PDF)	Product Specification PS-51103-027 (PDF)
Product Specification PS-51103-005 (PDF)	Product Specification PS-51198-003 (PDF)
Product Specification PS-51103-006 (PDF)	RoHS Certificate of Compliance (PDF)



Agency Certification

CSA	LR19980
TUV	R72081037
UL	E29179

General

Product Family	Crimp Housings
Series	<u>51103</u>
MolexKits	Yes
Product Name	N/A

Physical

Circuits (maximum)	9
Color - Resin	Natural
Flammability	94V-0
Gender	Female
Glow-Wire Compliant	No
Material - Resin	Polyester
Number of Rows	1
Packaging Type	Bag
Panel Mount	No
Pitch - Mating Interface (in)	0.098 In
Pitch - Mating Interface (mm)	2.50 mm
Stackable	No
Temperature Range - Operating	-40°C to +105°C

Material Info

Reference - Drawing Numbers

Packaging Specification	SPK-51103-001
Product Specification	PS-51103-001, PS-51103-002, PS-51103-005, PS-51103-006, PS-51103-007, PS-51103-024, PS-51103-026, PS-51103-027, PS-51198-003, RPS-51103-001, RPS-51103-003, RPS-51103-009, RPS-51103-010, RPS-51103-011, RPS-51103-012, RPS-51103-018, RPS-51103-019, RPS-51103-021, RPS-51103-022, RPS-51103-028, RPS-51103-030, RPS-51103-031, RPS-51103-032, RPS-51103-033, RPS-51103-034, RPS-51103-039, RPS-51103-041, RPS-51103-043, RPS-51103-044, RPS-51103-046, RPS-51103-047, RPS-51103-049, RPS-51103-050, RPS-51103-051, RPS-51103-056, RPS-51103-057, RPS-53375-001
Sales Drawing	SD-51103-020, SD-51103-021, SD-51103-023

EU RoHS

ELV and RoHS Compliant
REACH SVHC Contains SVHC: No
Halogen-Free Status

China RoHS



Need more information on product environmental compliance?

Email productcompliance@molex.com
 For a multiple part number RoHS Certificate of Compliance, [click here](#)

Please visit the [Contact Us](#) section for any non-product compliance questions.

Search Parts in this Series

51103Series

Mates With

51198 , 53375 , 53426 , 53517 , 53608

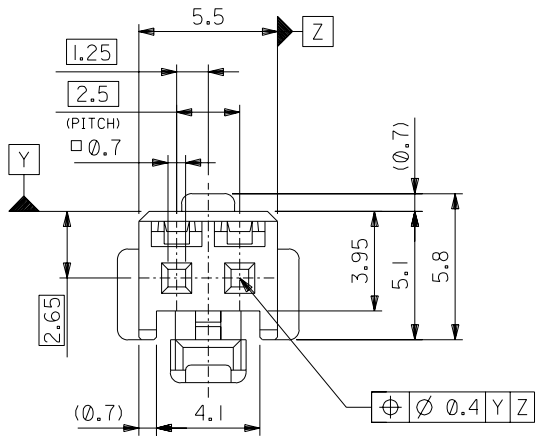
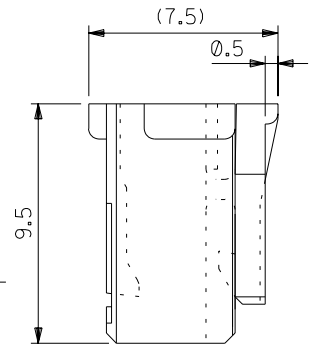
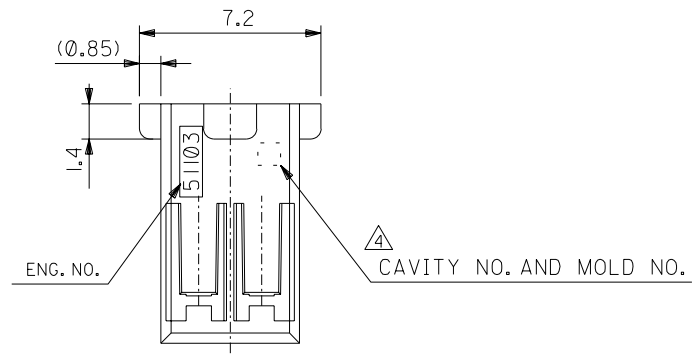
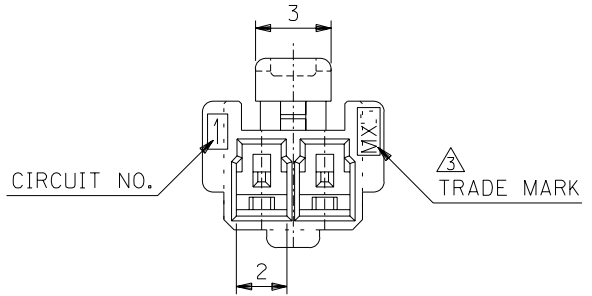
Use With

50351 , 50752

This document was generated on 06/07/2010

PLEASE CHECK WWW.MOLEX.COM FOR LATEST PART INFORMATION

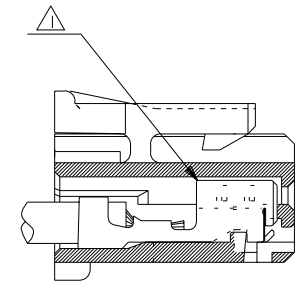
DWG. NO. SD-51103-020



注記 NOTES

- △ 適合ターミナル：50351-8*00
APPLICABLE TERMINAL：50351-8*00
- 2. 嵌合相手：53464 シリーズ
MATE WITH：53464 SERIES.
- △ MX Jと表示。
INDICATE MXJ.
- △ キャビティー番号：1桁～2桁の数字
金型番号：アルファベット1文字にて構成。(例. 1A, 10B)
FORMED BY 1 DIGIT TO 2 DIGIT NUMBERS (TO CAVITY NO.)
AND BY 1 LETTER OF ALPHABET (TO MOLD NO.).
(e.g. 1A, 10B)
- 5. 製品番号の末尾は製品の色を示す
LAST NUMBER OF DWG.NO. MEANS PART COLLER.

51103-**25
色番号 COLLER CODE
5 蛍光灰色 GRAY



ターミナル装着状態図
TERMINAL ASSEMBLY DRAWING

51103-0225	2
MATERIAL NO.	NO. OF CIRCUIT

DIMENSIONS:		SHT	REV
<input type="checkbox"/> mm	<input type="checkbox"/> INCH	<input type="checkbox"/> mm ONLY	<input type="checkbox"/> 2
		DRAWING ON CAD ONLY	

DO NOT SCALE DRAWING	① 64 NO. DRWN: CH'K: APPR:	② 63 NO. DRWN: CH'K: APPR:	③ 62 NO. DRWN: CH'K: APPR:	④ 61 NO. DRWN: CH'K: APPR:	RELEASED '02/11/22 DRWN: N.IITO CH'K: K.ASAKAWA APPR: T.YAMAGUCHI	MATERIAL 材料 POLYBUTYLENE TEREPHTHALATE UL94V-0	GENERAL TOLERANCES: (UNLESS SPECIFIED) 一般公差 10 UNDER 未満 ±0.2 10 OVER 以上 30 UNDER 未満 ±0.25 30 OVER 以上 ±0.3	SCALE 5 : 1 DESIGN UNITS <input checked="" type="checkbox"/> mm <input type="checkbox"/> INCH	⑤ ⑥ ⑦ ⑧ ⑨ ⑩ ⑪ ⑫ ⑬ ⑭ ⑮ ⑯ ⑰ ⑱ ⑲ ⑳ ㉑ ㉒ ㉓ ㉔ ㉕ ㉖ ㉗ ㉘ ㉙ ㉚ ㉛ ㉜ ㉝ ㉞ ㉟ ㊱ ㊲ ㊳ ㊴ ㊵ ㊶ ㊷ ㊸ ㊹ ㊺ ㊻ ㊼ ㊽ ㊾ ㊿	TITLE: 2.5 WIRE TO BOARD CONN. HOUSING (POSITIVE LOCK)	DIMENSIONS: <input type="checkbox"/> mm <input type="checkbox"/> INCH <input checked="" type="checkbox"/> mm ONLY	SHT 2 REV 1		
	① 64 NO. DRWN: CH'K: APPR:	② 63 NO. DRWN: CH'K: APPR:	③ 62 NO. DRWN: CH'K: APPR:	④ 61 NO. DRWN: CH'K: APPR:	⑤ ⑥ ⑦ ⑧ ⑨ ⑩ ⑪ ⑫ ⑬ ⑭ ⑮ ⑯ ⑰ ⑱ ⑲ ⑳ ㉑ ㉒ ㉓ ㉔ ㉕ ㉖ ㉗ ㉘ ㉙ ㉚ ㉛ ㉜ ㉝ ㉞ ㉟ ㊱ ㊲ ㊳ ㊴ ㊵ ㊶ ㊷ ㊸ ㊹ ㊺ ㊻ ㊼ ㊽ ㊾ ㊿	FINISH 仕上げ #	DRAWN BY & DATE N.IITO '02/11/22	CHECKED BY & DATE K.ASAKAWA '02/11/22	APPROVED BY & DATE T.YAMAGUCHI '02/11/22	MOLEX MOLEX INCORPORATED	CAD FILENAME SD-51103-020.S01	MATERIAL NO. SEE CHART	DRAWING NO. SD-51103-020	SHEET NO. 1 OF 1
	⑤ ⑥ ⑦ ⑧ ⑨ ⑩ ⑪ ⑫ ⑬ ⑭ ⑮ ⑯ ⑰ ⑱ ⑲ ⑳ ㉑ ㉒ ㉓ ㉔ ㉕ ㉖ ㉗ ㉘ ㉙ ㉚ ㉛ ㉜ ㉝ ㉞ ㉟ ㊱ ㊲ ㊳ ㊴ ㊵ ㊶ ㊷ ㊸ ㊹ ㊺ ㊻ ㊼ ㊽ ㊾ ㊿	WIRE RANGE 適用線径範囲 #	INS. RANGE 被覆外径 #	ANGLE 角度 ±3°	⑤ ⑥ ⑦ ⑧ ⑨ ⑩ ⑪ ⑫ ⑬ ⑭ ⑮ ⑯ ⑰ ⑱ ⑲ ⑳ ㉑ ㉒ ㉓ ㉔ ㉕ ㉖ ㉗ ㉘ ㉙ ㉚ ㉛ ㉜ ㉝ ㉞ ㉟ ㊱ ㊲ ㊳ ㊴ ㊵ ㊶ ㊷ ㊸ ㊹ ㊺ ㊻ ㊼ ㊽ ㊾ ㊿	MOLEX MOLEX INCORPORATED	CAD FILENAME SD-51103-020.S01	MATERIAL NO. SEE CHART	DRAWING NO. SD-51103-020	SHEET NO. 1 OF 1				
	⑤ ⑥ ⑦ ⑧ ⑨ ⑩ ⑪ ⑫ ⑬ ⑭ ⑮ ⑯ ⑰ ⑱ ⑲ ⑳ ㉑ ㉒ ㉓ ㉔ ㉕ ㉖ ㉗ ㉘ ㉙ ㉚ ㉛ ㉜ ㉝ ㉞ ㉟ ㊱ ㊲ ㊳ ㊴ ㊵ ㊶ ㊷ ㊸ ㊹ ㊺ ㊻ ㊼ ㊽ ㊾ ㊿	WIRE RANGE 適用線径範囲 #	INS. RANGE 被覆外径 #	ANGLE 角度 ±3°	⑤ ⑥ ⑦ ⑧ ⑨ ⑩ ⑪ ⑫ ⑬ ⑭ ⑮ ⑯ ⑰ ⑱ ⑲ ⑳ ㉑ ㉒ ㉓ ㉔ ㉕ ㉖ ㉗ ㉘ ㉙ ㉚ ㉛ ㉜ ㉝ ㉞ ㉟ ㊱ ㊲ ㊳ ㊴ ㊵ ㊶ ㊷ ㊸ ㊹ ㊺ ㊻ ㊼ ㊽ ㊾ ㊿	MOLEX MOLEX INCORPORATED	CAD FILENAME SD-51103-020.S01	MATERIAL NO. SEE CHART	DRAWING NO. SD-51103-020	SHEET NO. 1 OF 1				

10

9

8

7

6

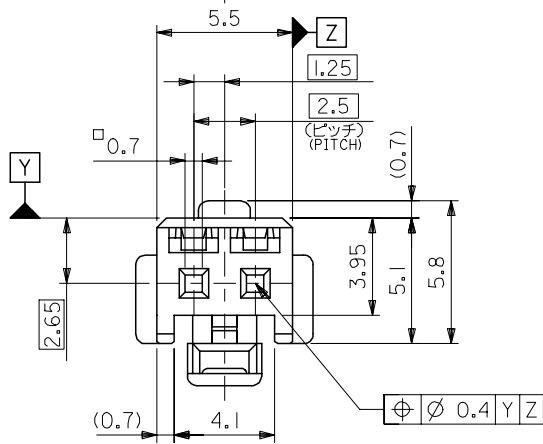
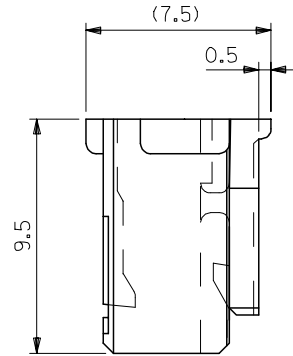
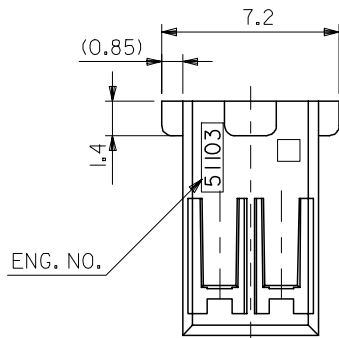
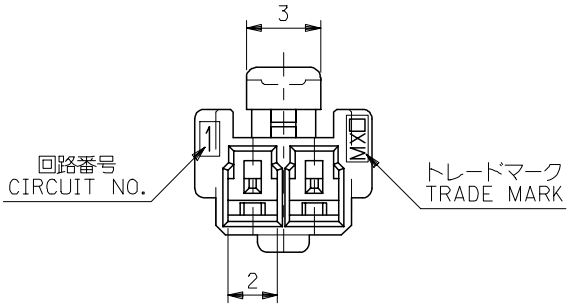
5

4

3

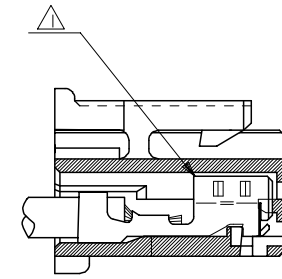
2

1



注記 NOTES

- △ 適合ターミナル：5035I-8*00
APPLICABLE TERMINAL：5035I-8*00
- 2. 嵌合相手：53375,53426 シリーズ
MATE WITH：53375,53426 SERIES
- △ 偶数極の製品に適用。
APPLY EVEN CIRCUIT PRODUCTS.
- 4. 製品型番の下1桁は色を表す。
LAST DIGIT OF PART NUMBER INDICATES COLOR.
0：白 WHITE 1：黒 BLACK 2：赤 RED
3：黄 YELLOW 4：青 BLUE



ターミナル装着状態図
TERMINAL ASSEMBLY DRAWING

2極に適用
FOR 2 CKTS.

51103-020*	2
MATERIAL NO.	CIRCUIT

RELEASED EC NO: J2005-2009 DRAWN: M.UMEDA 2005/02/02 CHKD: K.TOYODA 2005/02/04 APPR: N. UKITA 2005/02/14	GENERAL TOLERANCES (UNLESS SPECIFIED)		DIMENSION STYLE MM ONLY		SCALE ---	DESIGN UNITS METRIC	THIRD ANGLE PROJECTION	
	10 UNDER	±0.2	DRAWN BY M.UMEDA		DATE 2005/01/14		TITLE 2.5 W/B CONN. HOUSING (POSITIVE LOCK)	
	10 OVER 30 UNDER	±0.25	CHECKED BY K. TOYODA		DATE 2005/01/14		MOLEX INCORPORATED	
	30 OVER	±0.3	APPROVED BY N. UKITA		DATE 2005/01/14		DOCUMENT NO. SD-51103-021	
	ANGULAR	±3 °	MATERIAL NO.		SEE CHART		SHEET NO. 1 OF 2	
0	DRAFT WHERE APPLICABLE MUST REMAIN WITHIN DIMENSIONS		SIZE A3		THIS DRAWING CONTAINS INFORMATION THAT IS PROPRIETARY TO MOLEX INCORPORATED AND SHOULD NOT BE USED WITHOUT WRITTEN PERMISSION			

9

8

7

6

5

4

3

2

10 9 8 7 6 5 4 3 2 1

F

E

D

C

B

A

F

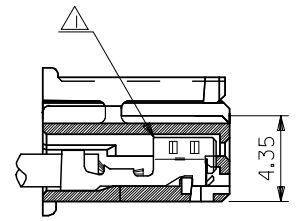
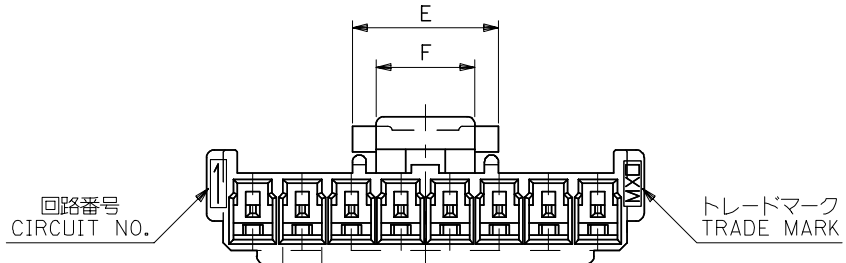
E

D

C

B

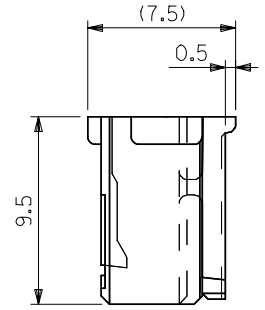
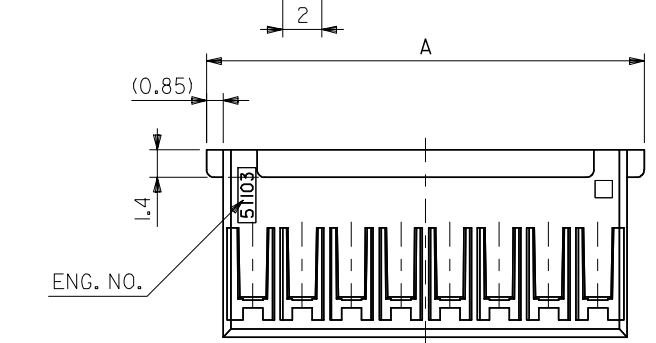
A



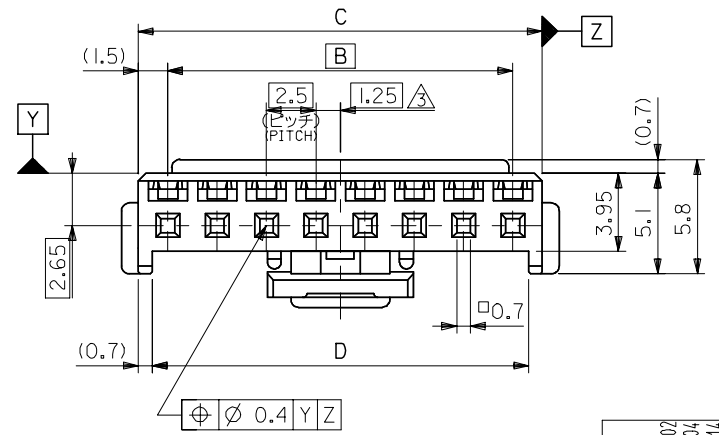
ターミナル装着状態図
TERMINAL ASSEMBLY DRAWING

注記 NOTES

- △ 適合ターミナル：5035I-8*00
APPLICABLE TERMINAL：5035I-8*00
- 2. 嵌合相手：53375,53426 シリーズ
MATE WITH：53375,53426 SERIES
- △ 偶数極の製品に適用。
APPLY EVEN CIRCUIT PRODUCTS.
- 4. 製品型番の下1桁は色を表す。
LAST DIGIT OF PART NUMBER INDICATES COLOR.
0：白 WHITE 1：黒 BLACK 2：赤 RED
3：黄 YELLOW 4：青 BLUE



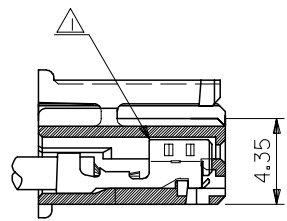
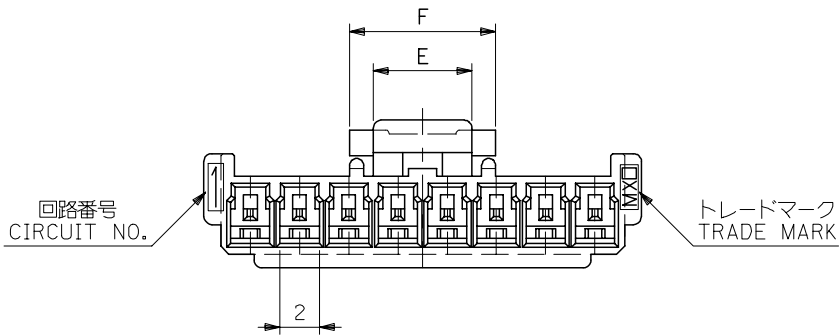
3-15 極に適用
FOR 3-15 CKTS.



5	7.4	36.6	38	35	39.7	51103-150*	15
↑	↑	34.1	35.5	32.5	37.2	↑ -140*	14
		31.6	33	30	34.7	↑ -130*	13
		29.1	30.5	27.5	32.2	↑ -120*	12
		26.6	28	25	29.7	↑ -110*	11
		24.1	25.5	22.5	27.2	↑ -100*	10
		21.6	23	20	24.7	↑ -090*	9
		19.1	20.5	17.5	22.2	↑ -080*	8
		16.6	18	15	19.7	↑ -070*	7
		14.1	15.5	12.5	17.2	↑ -060*	6
		11.6	13	10	14.7	↑ -050*	5
5	7.4	9.1	10.5	7.5	12.2	↓ -040*	4
3	5	6.6	8	5	9.7	↓ 51103-030*	3
F	E	D	C	B	A	MATERIAL NO.	CIRCUIT

RELEASED EC NO: J2005-2009 DRAWN: MUMEDA 2005/02/07 CHKD: KTOYODA 2005/02/04 APPR: NUKITA 2005/02/14	GENERAL TOLERANCES (UNLESS SPECIFIED)		DIMENSION STYLE MM ONLY		SCALE ---	DESIGN UNITS METRIC	THIRD ANGLE PROJECTION
	10 UNDER	±0.2	DRAWN BY M.UMEDA		DATE 2005/01/14	TITLE 2.5 W/B CONN. HOUSING (POSITIVE LOCK)	
	10 OVER 30 UNDER	±0.25	CHECKED BY KTOYODA		DATE 2005/01/14	MOLEX INCORPORATED	
	30 OVER	±0.3	APPROVED BY N. UKITA		DATE 2005/01/14	DOCUMENT NO. SD-51103-021	SHEET NO. 2 OF 2
	ANGULAR	±3 °	MATERIAL NO.		SEE CHART		
0	DRAFT WHERE APPLICABLE MUST REMAIN WITHIN DIMENSIONS		SIZE A3		THIS DRAWING CONTAINS INFORMATION THAT IS PROPRIETARY TO MOLEX INCORPORATED AND SHOULD NOT BE USED WITHOUT WRITTEN PERMISSION		

10 9 8 7 6 5 4 3 2 1

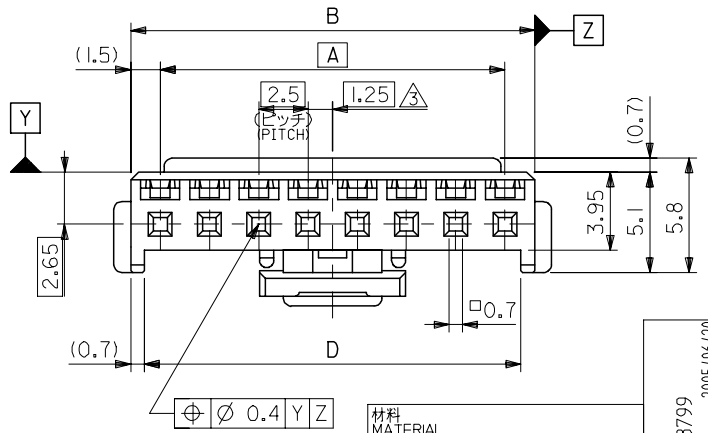
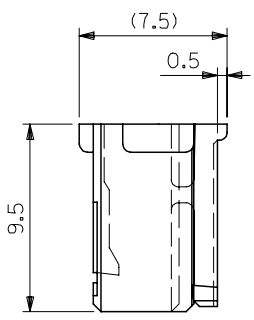
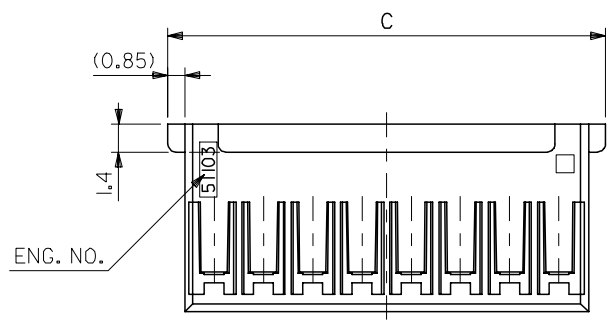


ターミナル装着状態図
TERMINAL ASSEMBLY DRAWING

注記 NOTES

- △1 適合ターミナル：50351-8*00
APPLICABLE TERMINAL：50351-8*00
- 2. 嵌合相手：53375,53376,53388,53389
53426 シリーズ
MATE WITH：53375,53376,53388,53389
53426 SERIES
- △3 偶数極の製品に適用。
APPLY EVEN CIRCUIT PRODUCTS.

3-15 極に適用
FOR 3-15 CKTS.



7.4	5	36.6	39.7	38	35	51103-1500	15
▲	▲	34.1	37.2	35.5	32.5	▲ -1400	14
		31.6	34.7	33	30	▲ -1300	13
		29.1	32.2	30.5	27.5	▲ -1200	12
		26.6	29.7	28	25	▲ -1100	11
		24.1	27.2	25.5	22.5	▲ -1000	10
		21.6	24.7	23	20	▲ -0900	9
		19.1	22.2	20.5	17.5	▲ -0800	8
		16.6	19.7	18	15	▲ -0700	7
		14.1	17.2	15.5	12.5	▲ -0600	6
		11.6	14.7	13	10	▲ -0500	5
▼	▼	9.1	12.2	10.5	7.5	▼ -0400	4
5	3	6.6	9.7	8	5	51103-0300	3
F	E	D	C	B	A	MATERIAL NO.	極数 NO. OF CKT.

材料 MATERIAL	PBTP, UL94V-0 (白色 WHITE)
仕上げ FINISH	-#-
適用電線範囲 WIRE RANGE	-#-
被覆外径 INS. RANGE	-#-

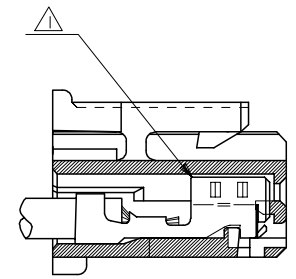
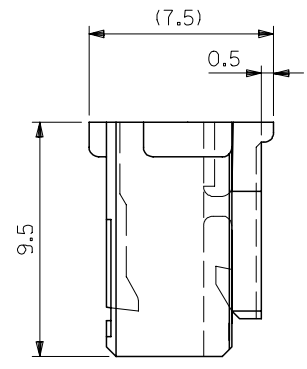
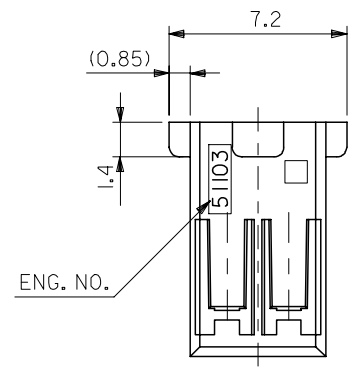
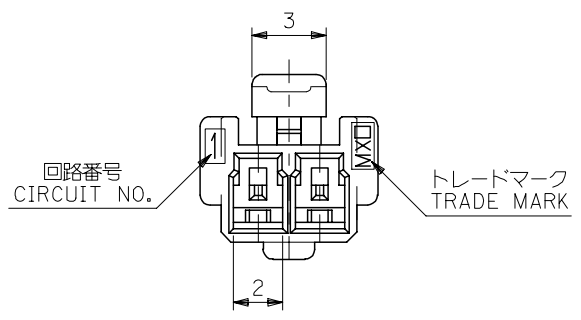
REVISED	EC NO: J2005-3799
DRWN: MABEI	2005/06/20
CHKD: KTOYODA	2005/06/21
APPR: NUKITA	2005/06/27

GENERAL TOLERANCES (UNLESS SPECIFIED)	
10 UNDER	±0.2
10 OVER 30 UNDER	±0.25
30 OVER	±0.3
ANGULAR	±3 °
DRAFT WHERE APPLICABLE MUST REMAIN WITHIN DIMENSIONS	

DIMENSION STYLE MM ONLY	
DRAWN BY	T. ITO
DATE	'92/05/06
CHECKED BY	H. HIRAMOTO
DATE	'95/10/03
APPROVED BY	M. FUKUSHIMA
DATE	'95/10/03
MATERIAL NO. SEE CHART	
SIZE A3	

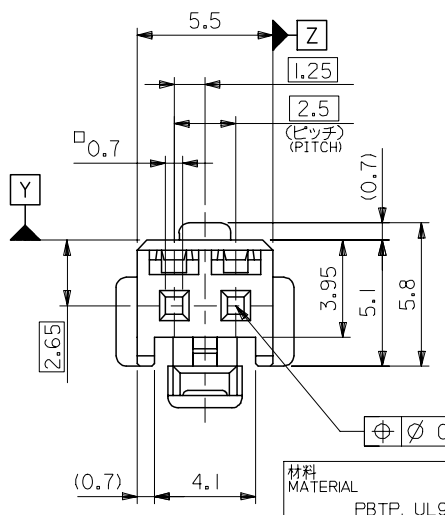
SCALE	4:1
DESIGN UNITS	METRIC
THIRD ANGLE PROJECTION	
TITLE 2.5 WIRE TO BOARD CONN HOUSING (POSITIVE LOCK)	
MOLEX MOLEX INCORPORATED	
DOCUMENT NO.	SD-51103-023
SHEET NO.	1 OF 2
THIS DRAWING CONTAINS INFORMATION THAT IS PROPRIETARY TO MOLEX INCORPORATED AND SHOULD NOT BE USED WITHOUT WRITTEN PERMISSION	

10 9 8 7 6 5 4 3 2 1



ターミナル装着状態図
TERMINAL ASSEMBLY DRAWING

2極に適用
FOR 2 CKTS.



材料 MATERIAL	PBTP, UL94V-0 (色 WHITE)
仕上げ FINISH	—
適用電線範囲 WIRE RANGE	—
被覆外径 INS. RANGE	—

REVISED	DESCRIPTION
EC NO: J2005-3799	
DRWN: NABEI 2005/06/20	
CHKD: TOYODA 2005/06/21	
APPR: NUKITA 2005/06/27	

GENERAL TOLERANCES (UNLESS SPECIFIED)	
10 UNDER	±0.2
10 OVER 30 UNDER	±0.25
30 OVER	±0.3
ANGULAR	±3 °
DRAFT WHERE APPLICABLE MUST REMAIN WITHIN DIMENSIONS	

DIMENSION STYLE MM ONLY	
DRAWN BY	DATE
T. ITO	'92/05/06
CHECKED BY	DATE
H. HIRAMOTO	'95/10/03
APPROVED BY	DATE
M. FUKUSHIMA	'95/10/03
MATERIAL NO.	
SEE CHART	
SIZE	
A3	

SCALE	DESIGN UNITS	THIRD ANGLE PROJECTION
5:1	METRIC	
TITLE		
2.5 WIRE TO BOARD CONN HOUSING (POSITIVE LOCK)		
MOLEX INCORPORATED		SHEET NO.
DOCUMENT NO.		2 OF 2
THIS DRAWING CONTAINS INFORMATION THAT IS PROPRIETARY TO MOLEX INCORPORATED AND SHOULD NOT BE USED WITHOUT WRITTEN PERMISSION		

51103-0200	2
MATERIAL NO.	極数 NO. OF CKT.