

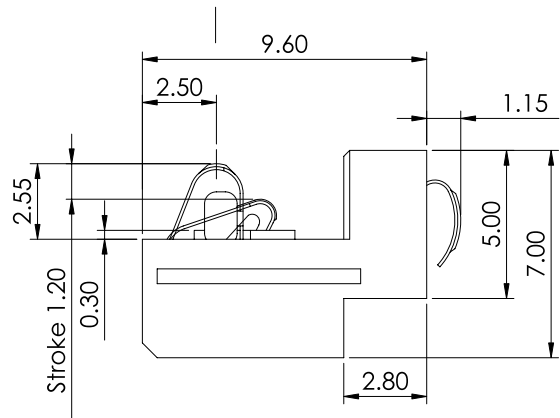
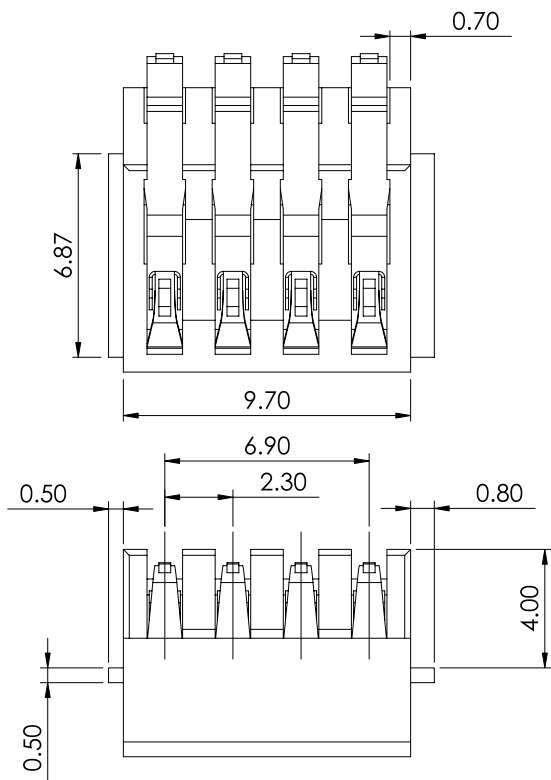
# 2.3mm PITCH BATTERY CONNECTOR



## 060145MD Series

### Specifications:

- **Insulator Material** : Black Themo Plastic UL94V-0
- **Operating Type Range** : -40°C TO +105°C
- **Terminal Material** : Pho. Bronze
- **Platings** : Contact Gold Plated
- **Max. Current Rating** : 2A
- **Max. Voltage Rating** : 12V AC
- **Dielectric Strength** : 500V AC For 60 Seconds



## Order Information

060145MD004□□00ZU  
 1 2 3 4 5

1. 'D' : Both Side can be Connector
2. No. of pins.
3. Plating
4. Color 'Z' : Black
5. Package

'U' : Tube Package Without Cap

Reference Page 11