

PLEASE CHECK WWW.MOLEX.COM FOR LATEST PART INFORMATION

Part Number: [0878681401](#)
Status: **Active**
Description: 1.60mm (.063") Pitch Board-to-Board Panel Detachable, PCB Receptacle, Right Angle, 14 Circuits, Gold (Au) Plating, Lubrication, Tray Packaging, Lead-free

Documents:

[3D Model](#) [Product Specification PS-87868-004 \(PDF\)](#)
[Drawing \(PDF\)](#) [RoHS Certificate of Compliance \(PDF\)](#)

General

Product Family	PCB Receptacles
Series	87868
Application	Board-to-Board
Comments	Panel Detachable
Product Name	N/A

Physical

Circuits (Loaded)	14
Durability (mating cycles max)	10,000
Glow-Wire Compliant	No
Lock to Mating Part	None
Material - Metal	Copper Alloy
Material - Plating Mating	Gold
Number of Rows	2
Orientation	Right Angle
PC Tail Length (in)	0.138 In
PC Tail Length (mm)	3.50 mm
PCB Locator	Yes
PCB Retention	Yes
PCB Thickness Recommended (in)	0.062 In
PCB Thickness Recommended (mm)	1.60 mm
Packaging Type	Tray
Pitch - Mating Interface (in)	0.063 In
Pitch - Mating Interface (mm)	1.60 mm
Polarized to Mating Part	No
Polarized to PCB	Yes
Stackable	No
Surface Mount Compatible (SMC)	Yes
Temperature Range - Operating	-30°C to +85°C
Termination Interface: Style	Through Hole

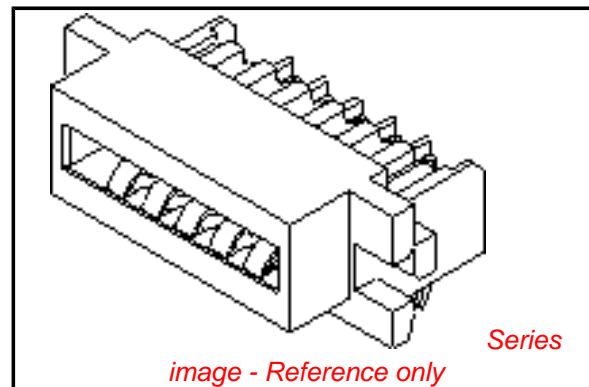
Electrical

Current - Maximum per Contact	1A
Voltage - Maximum	125V

Material Info

Reference - Drawing Numbers

Product Specification	PS-87868-004
Sales Drawing	SD-87868-007



EU RoHS

ELV and RoHS Compliant
REACH SVHC
Contains SVHC: No
Halogen-Free
Status
Not Reviewed

China RoHS



Need more information on product environmental compliance?

Email productcompliance@molex.com
For a multiple part number RoHS Certificate of Compliance, [click here](#)

Please visit the [Contact Us](#) section for any non-product compliance questions.

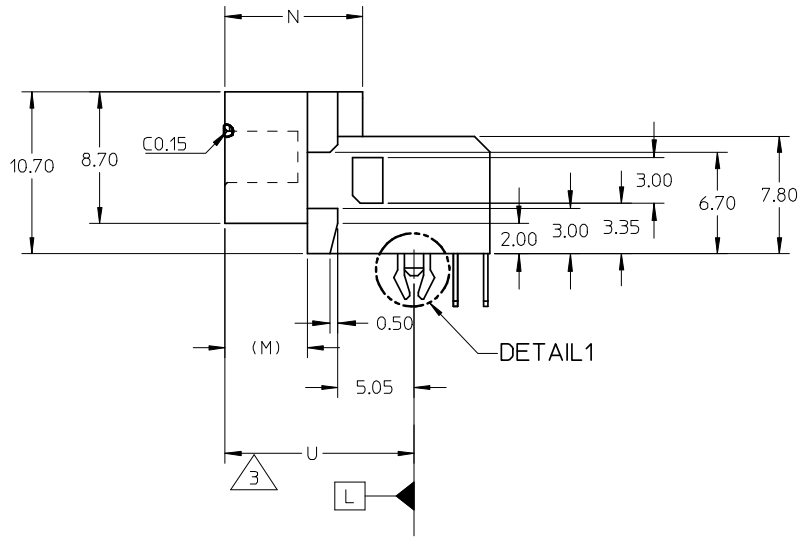
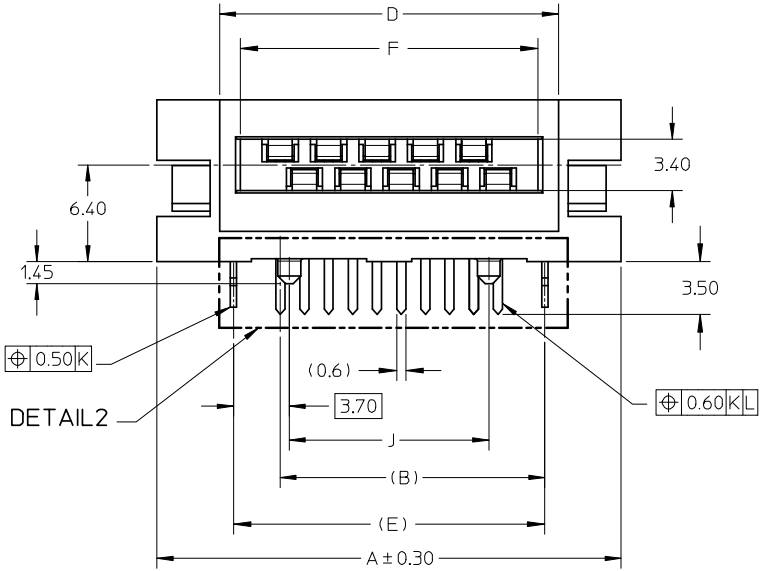
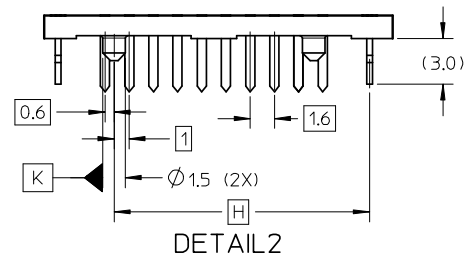
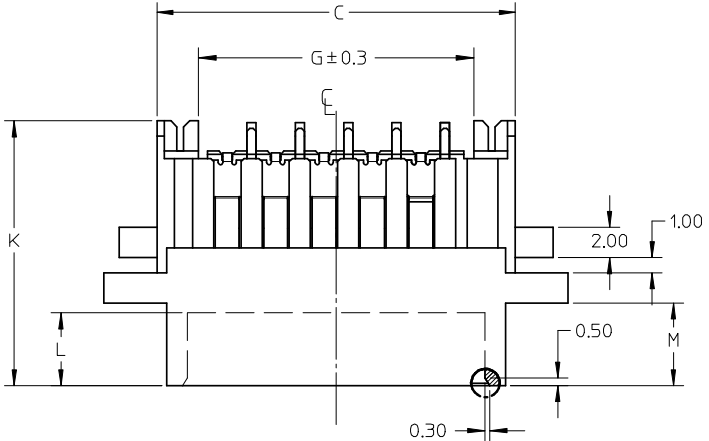
Search Parts in this Series

[87868Series](#)

Mates With

[87869 PCB Header](#)

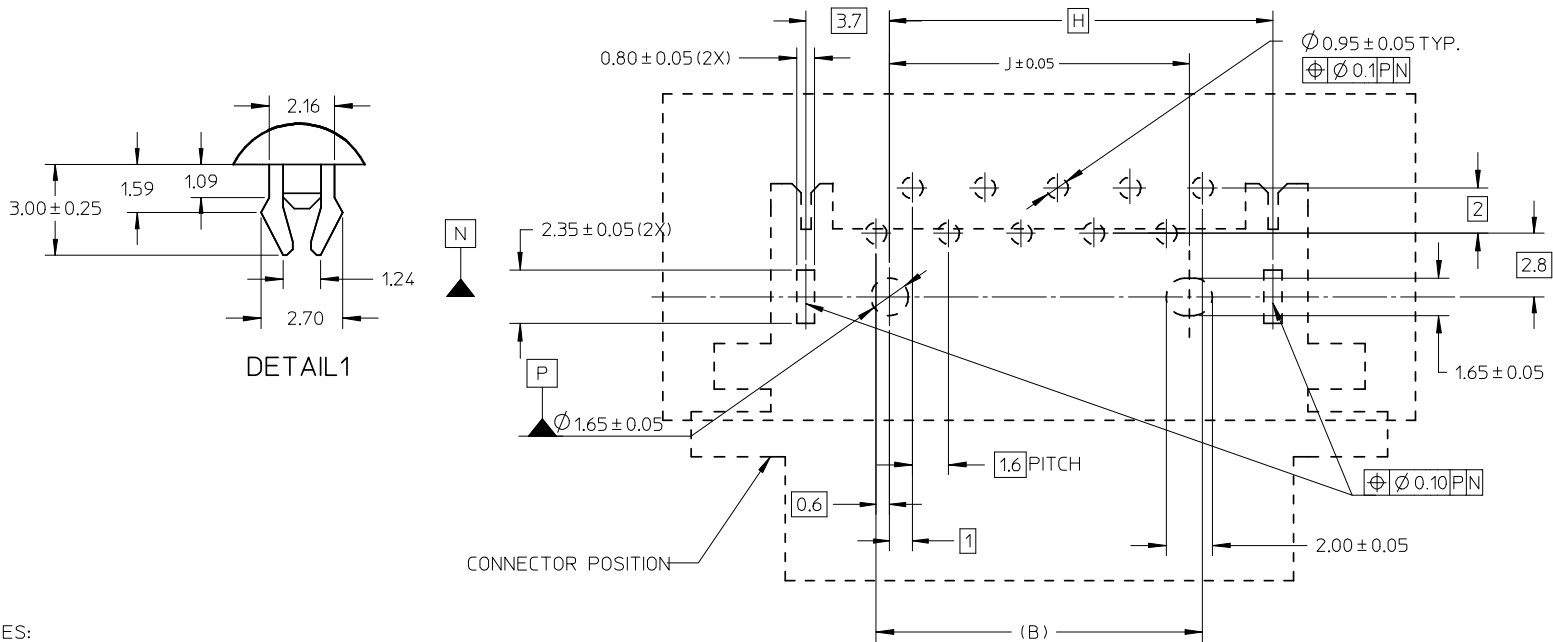
10 9 8 7 6 5 4 3 2 1



INITIAL RELEASE EC NO: S2008-0879 DRWN:CGOH 2008/04/17 CHKD:KHLIM 2008/04/18 APPR:BOKOK 2008/04/18	QUALITY SYMBOLS ▽=0 ◻=0	GENERAL TOLERANCES (UNLESS SPECIFIED)		DIMENSION STYLE MM ONLY		SCALE NTS	DESIGN UNITS METRIC	THIRD ANGLE PROJECTION		
			mm	INCH	DRAWN BY	DATE	TITLE			
		4 PLACES	± ---	± ---	CGOH	2008/03/26	1.6 PANEL DETACHABLE TYPE RECEPTACLE CONNECTOR			
		3 PLACES	± ---	± ---	CHECKED BY	DATE				
2 PLACES	± 0.20	± ---	KHLIM	2008/04/17	MOLEX INCORPORATED					
1 PLACE	± 0.25	± ---	APPROVED BY	DATE						
	ANGULAR ± 1 °		BOKOK	2008/04/18	MATERIAL NO.		DOCUMENT NO.			
	DRAFT WHERE APPLICABLE MUST REMAIN WITHIN DIMENSIONS		SEE TABLE		SD-87868-007		SHEET NO.			
			SIZE A3		THIS DRAWING CONTAINS INFORMATION THAT IS PROPRIETARY TO MOLEX INCORPORATED AND SHOULD NOT BE USED WITHOUT WRITTEN PERMISSION					

9 8 7 6 5 4 3 2 1

PART NUMBER	DIM'A'	DIM'B'	DIM'C'	DIM'D'	DIM'E'	DIM'F'	DIM'G'	DIM'H'	DIM'J'	DIM'K'	DIM'L'	DIM'M'	DIM'N'	DIM'P'	DIM'Q'	DIM'R'	DIM'S'	DIM'T'	DIM'U'	NUMBER OF CONTACTS	LUBRICATION
87868-1001	30.70	14.40	23.70	22.40	20.60	19.70	18.20	16.90	13.20	17.50	4.80	5.45	9.10	2.65	1.80	4.80	15.30	7.05	12.50	10	YES
87868-1401	37.10	20.80	30.10	28.80	27.00	26.10	24.60	23.30	19.60	17.65	4.95	5.60	9.25	2.50	1.65	4.95	15.45	7.20	12.65	14	
87868-1601	40.30	24.00	33.30	32.00	30.20	29.30	27.80	26.50	22.80	17.65	4.95	5.60	9.25	2.50	1.65	4.95	15.45	7.20	12.65	16	

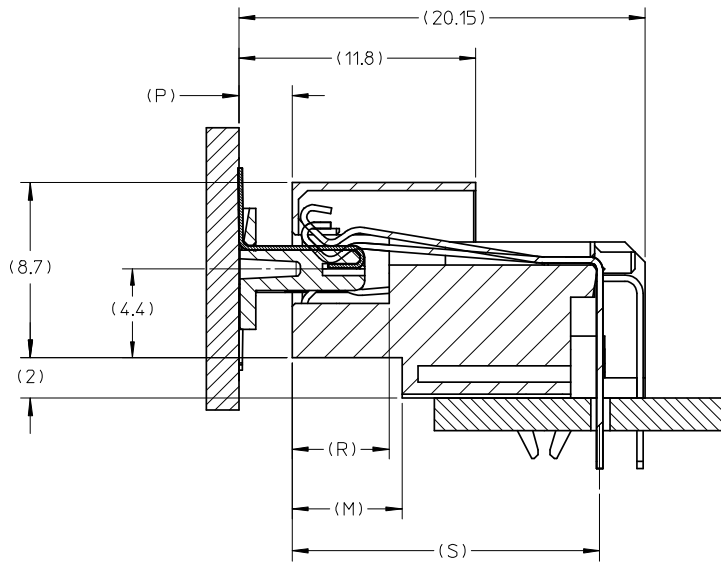


RECOMMENDED P.C.BOARD
THICKNESS 1.6MM

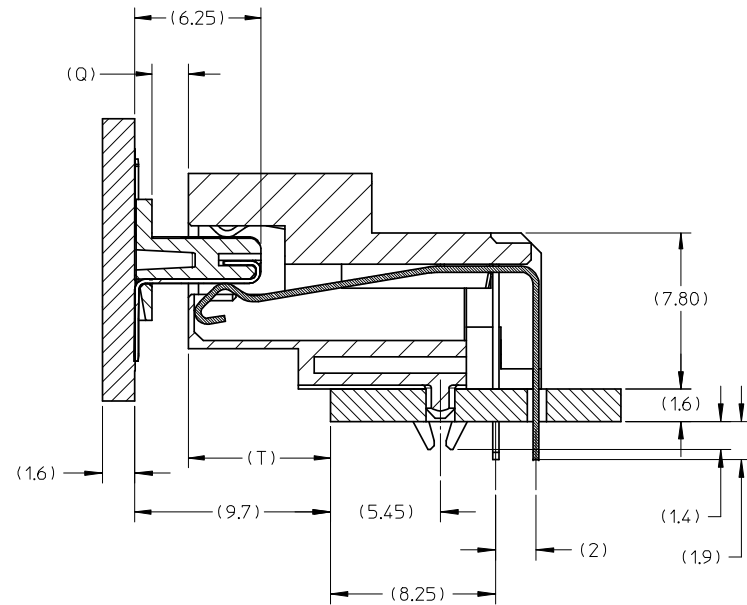
NOTES:

- MATE WITH 87869.
- MATERIAL:
HOUSING : GLASS FILLED NYLON, UL94V-0
(FOR WAVE SOLDERING ONLY)
TERMINALS : COPPER ALLOY
- BASIC PLANE \square IS THE CENTRE OF 2 BOSSES($\phi 1.5$)
- PLATING :
GOLD ON CONTACT AREA : 0.54 μ m MINIMUM
TIN ON SOLDER TAIL AREA : 24 μ m MINIMUM
OVERALL NICKEL UNDERPLATING : 1.54 μ m MINIMUM
- REFER TO PS-87868-004 FOR PERFORMANCE SPECIFICATIONS.
- CONTACT MOLEX FOR AVAILABILITY OF PRODUCT OPTIONS.
- PART SHALL BE PACKED IN TRAYS.

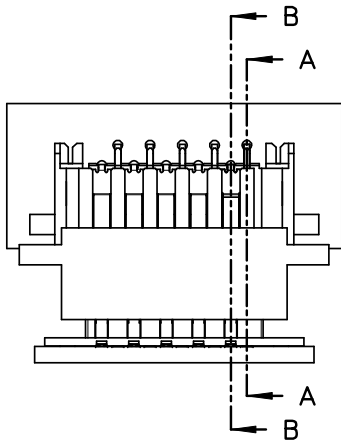
INITIAL RELEASE EC NO: S2008-0879 DRWN:CGOH 2008/04/17 CHKD:KHLIM 2008/04/18 APPR:BOKOK 2008/04/18	QUALITY SYMBOLS $\blacktriangledown=0$ $\nabla=0$	GENERAL TOLERANCES (UNLESS SPECIFIED)		DIMENSION STYLE		SCALE	DESIGN UNITS	THIRD ANGLE PROJECTION			
				MM ONLY		NTS	METRIC				
				mm	INCH	DRAWN BY	DATE	TITLE			
						CGOH	2008/03/26	1.6 PANEL DETACHABLE TYPE RECEPTACLE CONNECTOR			
				CHECKED BY		DATE		MOLEX INCORPORATED			
				KHLIM		2008/04/17		SD-87868-007			
				APPROVED BY		DATE		SHEET NO.			
				BOKOK		2008/04/18		2 OF 3			
				MATERIAL NO.		DOCUMENT NO.					
				SEE TABLE							
				SIZE		THIS DRAWING CONTAINS INFORMATION THAT IS PROPRIETARY TO MOLEX INCORPORATED AND SHOULD NOT BE USED WITHOUT WRITTEN PERMISSION					
				A3							



SECTION B-B



SECTION A-A



NOTES:

1. THE ALLOWABLE TOLERANCE RANGE OFF MISALIGNMENT WHEN MATED
 - 1) PITCH DIRECTION: ± 1
 - 2) A RIGHT PITCH DIRECTION: ± 0.5
 - 3) MATING DIRECTION: ± 0.7

INITIAL RELEASE EC NO: S2008-0879 DRWN: CGOH 2008/04/17 CHKD: KHL IM 2008/04/18 APPR: BOKOK 2008/04/18	QUALITY SYMBOLS ▽=0 ◻=0	GENERAL TOLERANCES (UNLESS SPECIFIED)		DIMENSION STYLE	SCALE	DESIGN UNITS	THIRD ANGLE PROJECTION		
				MM ONLY	NTS	METRIC			
			mm	INCH	DRAWN BY	DATE	TITLE		
		4 PLACES	± ---	± ---	CGOH	2008/03/26	1.6 PANEL DETACHABLE TYPE RECEPTACLE CONNECTOR		
3 PLACES	± ---	± ---	CHECKED BY	DATE					
2 PLACES	± 0.20	± ---	KHL IM	2008/04/17	MOLEX INCORPORATED				
1 PLACE	± 0.25	± ---	APPROVED BY	DATE					
ANGULAR $\pm 1^\circ$				BOKOK	2008/04/18	DOCUMENT NO. SD-87868-007			
DRAFT WHERE APPLICABLE MUST REMAIN WITHIN DIMENSIONS				SEE TABLE		SHEET NO. 3 OF 3			
				SIZE A3	THIS DRAWING CONTAINS INFORMATION THAT IS PROPRIETARY TO MOLEX INCORPORATED AND SHOULD NOT BE USED WITHOUT WRITTEN PERMISSION				