

**PLEASE CHECK WWW.MOLEX.COM FOR LATEST PART INFORMATION**

**Part Number:** [0358962210](#)  
**Status:** **Active**  
**Description:** 1.02/2.28mm (.040/.090") Tab, Hybrid Wire-to-Wire Housing, Female, 22 Circuits

**Documents:**

[3D Model](#) [RoHS Certificate of Compliance \(PDF\)](#)  
[Drawing \(PDF\)](#)

**General**

Product Family Crimp Housings  
 Series [35896](#)  
 Product Name N/A

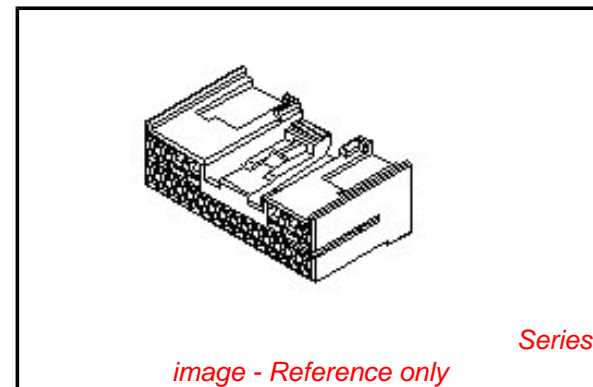
**Physical**

Circuits (maximum) 22  
 Color - Resin Natural, Yellow  
 Gender Female  
 Glow-Wire Compliant No  
 Material - Resin Polyester  
 Number of Rows 2  
 Packaging Type Bag  
 Panel Mount Yes  
 Pitch - Mating Interface (in) 0.098 In  
 Pitch - Mating Interface (mm) 2.50 mm  
 Stackable No  
 Temperature Range - Operating -40°C to +80°C

**Material Info**

**Reference - Drawing Numbers**

Sales Drawing SD-35896-005



**EU RoHS**

**ELV and RoHS Compliant**  
**REACH SVHC**  
 Not Reviewed  
**Halogen-Free Status**

**China RoHS**



**Need more information on product environmental compliance?**

Email [productcompliance@molex.com](mailto:productcompliance@molex.com)  
 For a multiple part number RoHS Certificate of Compliance, [click here](#)

Please visit the [Contact Us](#) section for any non-product compliance questions.

**Search Parts in this Series**

[35896Series](#)

**Mates With**

[35897](#)

**Use With**

[50654](#)

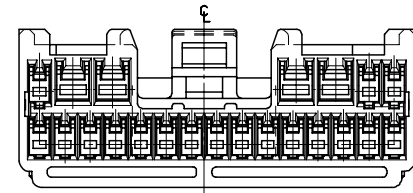
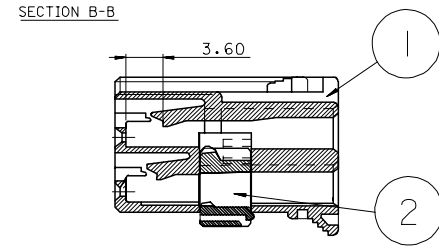
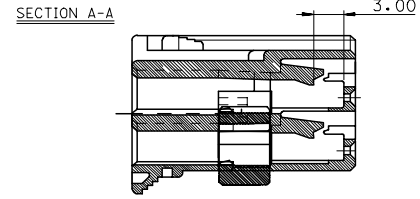
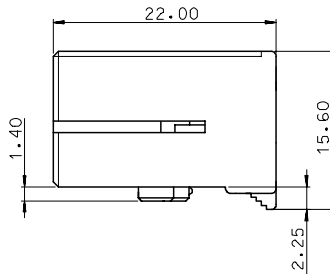
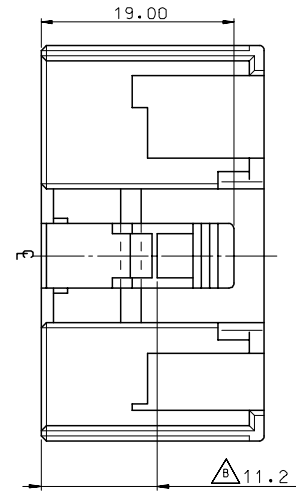
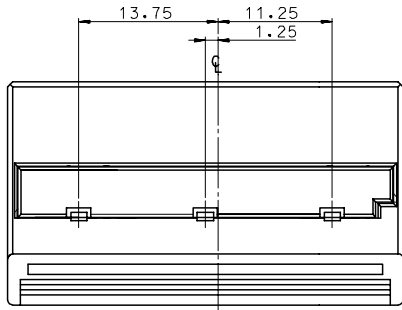
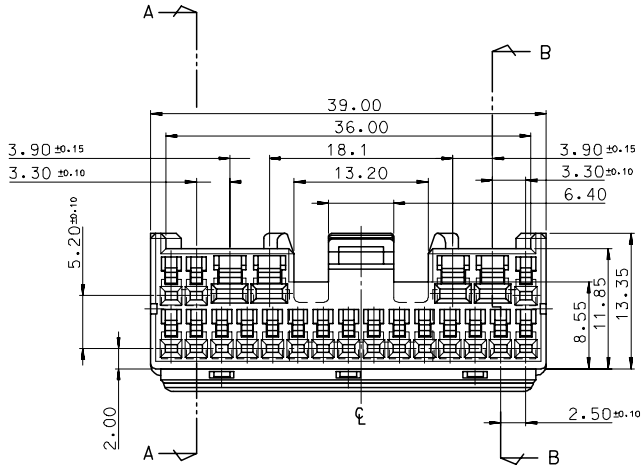
DWG. NO. SD-35896-005

PROJECT NO. SIMILAR ITEM

B

DO NOT SCALE DRAWING  
DIMENSION IN METRIC

| NO. | PART NO.   | PART NAME               | MATERIAL  | REMARK |
|-----|------------|-------------------------|-----------|--------|
| 1   | 35896-2290 | .040/090 F/HSG 22P      | POLYESTER | WHITE  |
| 2   | 35896-2283 | .040/090 FEMALE TPA 22P | POLYESTER | YELLOW |



NOTE

- MATERIAL & FINISH: SEE TABLE
- APPLICATION: .040/090 MALE HOUSING ASS'Y 22P(ENG. NO.:35897-2210)  
(ENG. NO. : 35897-2210/2215)

|   |           |            |
|---|-----------|------------|
| 2 | 358962215 | 35896-2215 |
| 1 | 358962210 | 35896-2210 |

| NO.         | MATERIAL NO. | ENG. NO. | SHT | REV                |
|-------------|--------------|----------|-----|--------------------|
| DIMENSIONS: |              |          |     | REVISE ON CAD ONLY |

| ADDED OF PART<br>ECN NO.KOR2006-0147<br>DRWNEO.KIM 06/06/01<br>CHKBC.YOON 06/06/01<br>APPRSH.CHOI 06/06/01                     | QUALITY SYMBOLS  | GENERAL TOLERANCES:<br>(UNLESS SPECIFIED) | SCALE<br>2:1  | DESIGN UNITS<br><input checked="" type="checkbox"/> mm <input type="checkbox"/> INCH | THIRD ANGLE PROJECTION | TITLE:<br>.040/090 FEMALE HOUSING ASS'Y 22P |          |     |    |          |     |    |          |      |    |         |      |    |                                     |                        |  |  |
|--|--|---|---|--|------------------------|---|----------|-----|----|----------|-----|----|----------|------|----|---------|------|----|-------------------------------------|------------------------|--|--|
|  | MAJOR<br>CRITICAL<br>C   | DESCRIPTION                               | <table border="1"> <thead> <tr> <th></th> <th>mm</th> <th>INCH</th> </tr> </thead> <tbody> <tr> <td>4 PLACES</td> <td>±0.</td> <td>±-</td> </tr> <tr> <td>3 PLACES</td> <td>±0.</td> <td>±-</td> </tr> <tr> <td>2 PLACES</td> <td>±0.2</td> <td>±-</td> </tr> <tr> <td>1 PLACE</td> <td>±0.3</td> <td>±-</td> </tr> </tbody> </table> |  | mm                     | INCH  | 4 PLACES | ±0. | ±- | 3 PLACES | ±0. | ±- | 2 PLACES | ±0.2 | ±- | 1 PLACE | ±0.3 | ±- | DRAWN BY & DATE<br>00/09/30 H.C.RHO | MATERIAL NO. SEE CHART |  |  |
|  |  |   | mm  | INCH   |                        |   |          |     |    |          |     |    |          |      |    |         |      |    |                                     |                        |  |  |
|  |  | 4 PLACES                                  | ±0.   | ±-   |                        |   |          |     |    |          |     |    |          |      |    |         |      |    |                                     |                        |  |  |
| 3 PLACES   |  | ±0.                                       | ±-  |  |                        |   |          |     |    |          |     |    |          |      |    |         |      |    |                                     |                        |  |  |
| 2 PLACES   | ±0.2   | ±-  |   |  |                        |   |          |     |    |          |     |    |          |      |    |         |      |    |                                     |                        |  |  |
| 1 PLACE  | ±0.3   | ±-  |   |  |                        |   |          |     |    |          |     |    |          |      |    |         |      |    |                                     |                        |  |  |
| REV  | ANGULAR: ±   °<br>DRAFT WHERE APPLICABLE MUST REMAIN WITHIN DIMENSIONS | APPROVED BY & DATE<br>00/09/30 C.W.LEE    | CAD FILENAME<br>49FHA22   | DRAWING NO.<br>SD-35896-005  | SHEET NO.<br>1 OF 1    |   |          |     |    |          |     |    |          |      |    |         |      |    |                                     |                        |  |  |
| THIS DRAWING CONTAINS INFORMATION THAT IS PROPRIETARY TO MOLEX INCORPORATED AND SHOULD NOT BE USED WITHOUT WRITTEN PERMISSION. |  |   | MOLEX INCORPORATED  |  |                        |   |          |     |    |          |     |    |          |      |    |         |      |    |                                     |                        |  |  |