

PLEASE CHECK WWW.MOLEX.COM FOR LATEST PART INFORMATION

Part Number: [0512271000](#)
Status: **Active**
Description: 2.00mm (.079") Pitch Wire-to-Wire Plug Housing, Positive Lock, 10 circuits

Documents:

[3D Model](#) [Product Specification PS-51216-006 \(PDF\)](#)
[Drawing \(PDF\)](#) [RoHS Certificate of Compliance \(PDF\)](#)

General

Product Family Crimp Housings
 Series [51227](#)
 Product Name N/A

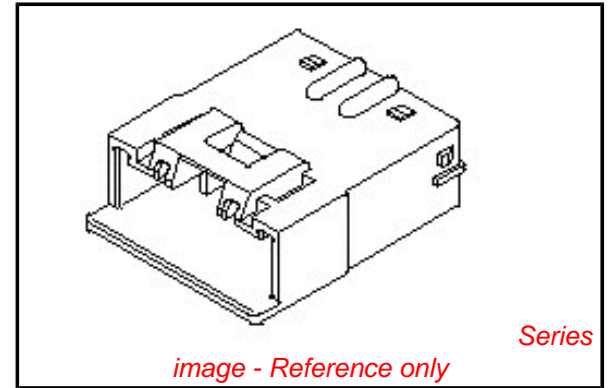
Physical

Circuits (maximum) 10
 Color - Resin Natural
 Gender Male
 Glow-Wire Compliant No
 Material - Resin Polyester
 Number of Rows 1
 Packaging Type Bag
 Panel Mount No
 Pitch - Mating Interface (in) 0.079 In
 Pitch - Mating Interface (mm) 2.00 mm
 Stackable No
 Temperature Range - Operating -25°C to +85°C

Material Info

Reference - Drawing Numbers

Product Specification PS-51216-006, RPS-51216-006, RPS-51216-012
 Sales Drawing SD-51227-002



EU RoHS

**ELV and RoHS
 Compliant**
**REACH SVHC
 Contains SVHC: No**
**Halogen-Free
 Status
 Not Reviewed**

China RoHS



**Need more information on product
 environmental compliance?**

Email productcompliance@molex.com
 For a multiple part number RoHS Certificate of
 Compliance, [click here](#)

Please visit the [Contact Us](#) section for any
 non-product compliance questions.

Search Parts in this Series

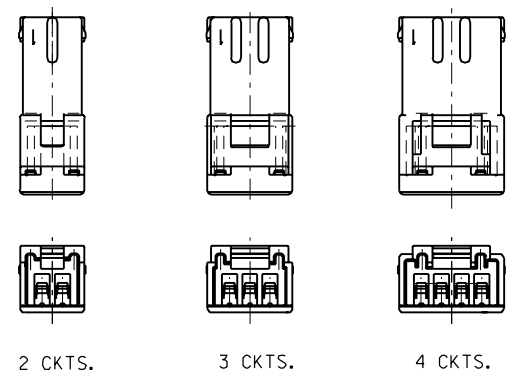
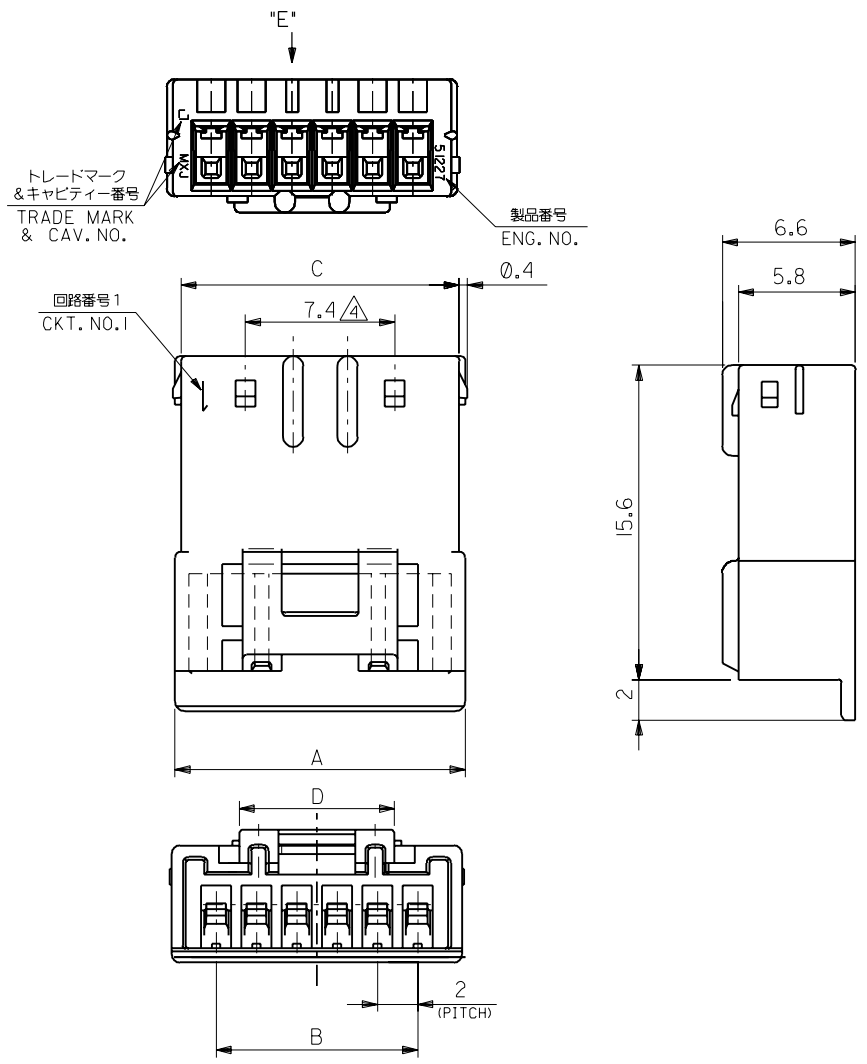
[51227Series](#)

Mates With

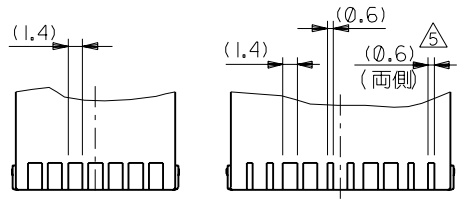
[51216 Housing](#)

Use With

[51217](#) , [56086](#)

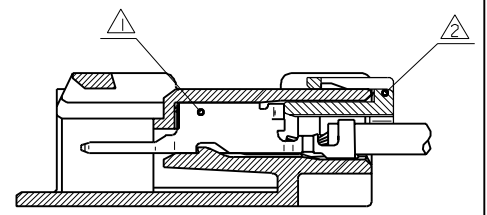


2, 3, 4種レイアウト図
LAYOUT OF 2, 3 & 4 CKTS.



注記
NOTES

- ① 適合ターミナル : 56086シリーズ
- ② 適合リテーナー : 51217シリーズ
APPLICABLE RETAINER : 51217 SERIES
- 3. 嵌合相手 : 51216シリーズ
MATE WITH : 51216 SERIES
- ④ 5~15種に適用。
APPLY 5-15 CIRCUITS.
- ⑤ 10, 12, 14種に適用。
APPLY 10,12,14 CIRCUITS.



ターミナル及びリテーナー装着状態図
TERMINAL & RETAINER ASSEMBLY DRAWING

D	C	B	A	MATERIAL NO.	CKT.	
7.7	31.8	28	32.4	51227-1500	15	
↑	29.8	26	30.4	-1400	14	
↑	27.8	24	28.4	-1300	13	
↑	25.8	22	26.4	-1200	12	
↑	23.8	20	24.4	-1100	11	
↑	21.8	18	22.4	-1000	10	
↑	19.8	16	20.4	-0900	9	
↑	17.8	14	18.4	-0800	8	
↑	15.8	12	16.4	-0700	7	
↑	13.8	10	14.4	-0600	6	
↓	11.8	8	12.4	-0500	5	
↓	9.8	6	10.4	-0400	4	
↓	7.7	7.8	4	8.4	-0300	3
↓	6.4	5.8	2	6.4	51227-0200	2

DO NOT SCALE DRAWING

EC NO. DRWN: CHK'g APPR:	EC NO. DRWN: CHK'g APPR:	EC NO. DRWN: CHK'g APPR:	EC NO. DRWN: CHK'g APPR:	RELEASED '01/06/21	MATERIAL 材料 PBTP, UL94V-0 [色:自然色] [COLOR: NATURAL]	GENERAL TOLERANCES: (UNLESS SPECIFIED) 一般公差	SCALE	DESIGN UNITS	MODEL NO.	DIMENSIONS:		SHT	REV		
				0			10 UNDER 未満	±0.2	1/16	mm	mm	mm	mm	mm	mm
				EC NO. JC2001-1002	FINISH 仕上げ //	WIRE RANGE 適用電線範囲 //	10 OVER 以上	30 UNDER 未満	±0.25	THIRD ANGLE PROJECTION		TITLE:			
				DRWN: H.II CHK'g: T.YAMAGUCHI APPR: T.YAMAGUCHI			30 OVER 以上	±0.3	DRAWN BY & DATE H.II '01/06/21	2.0 mm WIRE TO WIRE CONN. PLUG HOUSING		MOLEX INCORPORATED			
				REV	INS. RANGE 被覆外径 //	ANGLE 角度	±3°	CAD FILENAME 51227002.S01	MATERIAL NO. SEE CHART	DRAWING NO. SD-51227-002	SHEET NO. 1 OF 1	THIS DRAWING CONTAINS INFORMATION THAT IS PROPRIETARY TO MOLEX INCORPORATED AND SHOULD NOT BE USED WITHOUT WRITTEN PERMISSION.			
											SIZE B	EN-02J(097) MXJ-54			

A
51227002.S01