

PLEASE CHECK WWW.MOLEX.COM FOR LATEST PART INFORMATION

Part Number: [1210400096](#)
Status: **Active**
Overview: [mpm_connectors](#)
Description: DIN Form A over mould

Documents:

[Drawing \(PDF\)](#) [RoHS Certificate of Compliance \(PDF\)](#)

General

Product Family Field Attachable / Accessories
 Series [121040](#)
 IP Rating IP65
 Overview [mpm_connectors](#)
 Product Name mPm®
 Type Field Attachable Connector

Physical

Cable Diameter N/A
 Coupling Type N/A
 Diagnostics / LEDs No
 Diagnostics Port No
 Gender N/A
 Keyway None
 Material - Connector Body N/A
 Material - Contact Brass
 Material - Coupling Nut N/A
 Material - Plating Mating Silver
 Orientation 90° Angle
 Poles N/A
 Temperature Range - Operating -25°C to +75°C
 Wire Size AWG N/A

Electrical

Current - Maximum per Contact 5A
 Voltage - Maximum 250V AC/DC

Material Info

Old Part Number E152N2N30011

Reference - Drawing Numbers

Sales Drawing E152XXXXXXXX

EU RoHS
ELV and RoHS
Compliant
REACH SVHC
 Not Reviewed
Halogen-Free
Status
Not Reviewed

China RoHS



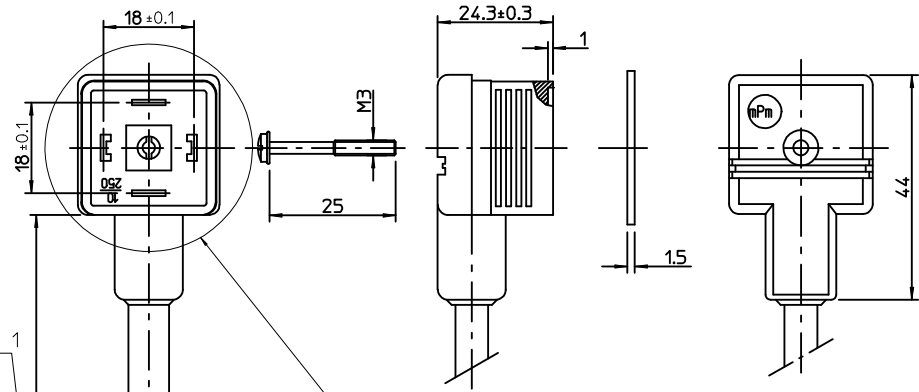
Need more information on product environmental compliance?

Email productcompliance@molex.com
 For a multiple part number RoHS Certificate of Compliance, [click here](#)

Please visit the [Contact Us](#) section for any non-product compliance questions.

Search Parts in this Series
[121040Series](#)

10 9 8 7 6 5 4 3 2 1



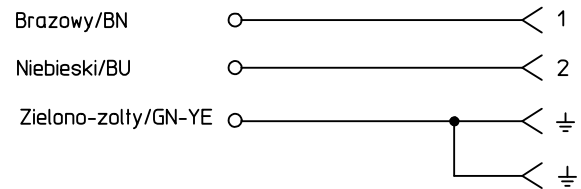
PATRZ UWAGA 1
SEE NOTE 1

Patrz Orientacja obudowy/See insert orientation

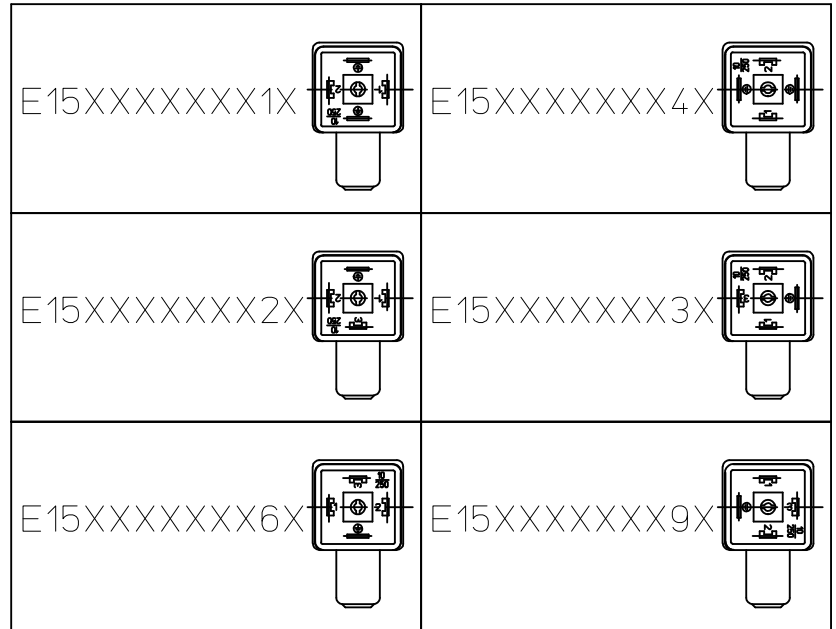
CYNOWAC
TINNED

Table of length tolerances/ Tablica tolerancji dlugosci mm		
Over/Od	Up to and including/ Do-wlacznie	Tolerance/Tolerancja
100	1000	±20
1000	3000	±30
3000	5000	±40
5000	10000	±50
10000	15000	±100
15000	20000	±150
20000		±L/100

SCHEMAT POLACZEN/WIRING CONFIGURATION



Orientacja obudowy/Insert orientation

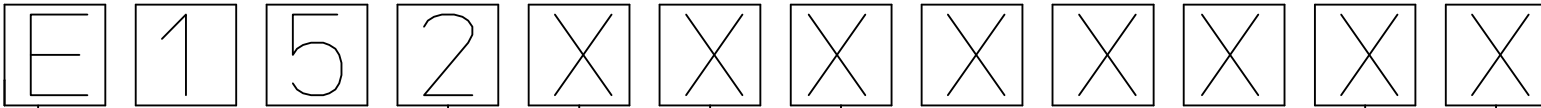


UWAGI:
1. DLUGOSC PATRZ ARKUSZ 2.

NOTES:
1. LENGTH SEE SHEET 2.

REMOVING LABEL EC NO: WEU2009-0464 DRWIN: MWOLSZCZAK 2009/06/24 CHYKD: MDABROWSKA 2009/06/25 APPR: GOGRODNIK 2009/08/04	QUALITY SYMBOLS	GENERAL TOLERANCES (UNLESS SPECIFIED)	DIMENSION STYLE MM ONLY	SCALE ---	DESIGN UNITS METRIC	FIRST ANGLE PROJECTION	
	▽=0 ◻=0	mm INCH	DRAWN BY DATE MLEVYTSKY 2009/01/21	TITLE MPM E152XXXXXXXX			
		4 PLACES ± --- ± --- 3 PLACES ± --- ± --- 2 PLACES ± --- ± --- 1 PLACE ± --- ± ---	CHECKED BY DATE MDABROWSKA 2009/01/21				
		ANGULAR ± ---°	APPROVED BY DATE MWOLSZCZAK 2009/01/21	MOLEX INCORPORATED			
	DRAFT WHERE APPLICABLE MUST REMAIN WITHIN DIMENSIONS	SEE DRAWING	MATERIAL NO.	DOCUMENT NO.	SHEET NO.		
A1	REV	SIZE A3	THIS DRAWING CONTAINS INFORMATION THAT IS PROPRIETARY TO MOLEX INCORPORATED AND SHOULD NOT BE USED WITHOUT WRITTEN PERMISSION				

9 8 7 6 5 4 3 2 1



E - Pakowanie bez workow
 W - Pakowanie pojedynczo
 Q - Szybkie pakowanie

ILOSC PRZEWODOW/NUMBER OF WIRES:
 1=2 PRZEWODY,
 2=2 PRZEWODY+UZIEMIENIE,
 3=3 PRZEWODY+UZIEMIENIE.

TYP KABLA/CABLE TYPE
 PATRZ TABELA 1/SEE TABLE 1

RODZAJ KABLA/CABLE CROSS SECTION AREA
 PATRZ TABELA 2/SEE TABLE 2

KOLOR MOULDINGU/HEAD COLOUR:
 G=SZARY/GREY,
 N=CZARNY/BLACK,
 T=PRZEZROCZYSTY/TRANSPARENT,
 A=CZARNY/BLACK,
 B=SZARY/GREY.

DLUGOSC KABLA W CM/CABLE LENGHT IN CM
 NP:050=50 CM, 300=300 CM.

POLOZENIE PINU Z UZIEMIENIEM(PATRZ TABELA ORJENTACJA OBUDOWY)/EARTH PIN LOCATION(SEE INSERT ORIENTATION TABLE):
 1=PODWOJNE UZIEMIENIE NA GODZINIE 6 ORAZ 12/DOUBLE EARTH ON 6H AND 12H,
 2=UZIEMIENIE NA GODZINIE 12/EARTH ON 12H,
 6=UZIEMIENIE NA GODZINIE 6/EARTH ON 6H,
 4=PODWOJNE UZIEMIENIE NA GODZINIE 3 ORAZ 9/DOUBLE EARTH ON 3H AND 9H,
 3=UZIEMIENIE NA GODZINIE 3/EARTH ON 3H,
 9=UZIEMIENIE NA GODZINIE 9/EARTH ON 9H.

GASKET ORAZ SRUBY/GASKET SCREWS:
 1=GASKET PROFILOWANY+SRUBA/NBR PROFILE GASKET+FIXING SCREWS,
 2=NBR PLASKI GASKET+SRUBA/NBR FLAT GASKET+SCREW,
 3=SILIKONOWY PROFILOWANY GASKET+SRUBA/SILICONE PROFILE GASKET+SCREW,
 4=SILIKONOWY PLASKI GASKET+SRUBA/SILICON FLAT GASKET+SCREW,
 P=ZINTEGROWANY GASKET+SRUBA/INTEGRATED GASKET+FIXING SCREW,
 R=ZINTEGROWANY GASKET+SRUBA/INTAGRATED GASKET+SCREW,
 T=PROFILOWANY GASKET+SRUBA, PROFILE GASKET+SCREW.

ORIGINAL RELEASE EC NO: WEU2009-0394 DRWIN: MWOLSZCZAK 2009/05/26 CHYKD: MDABROWSKA 2009/05/29 APPR: GOGRODNIK 2009/06/08	DESCRIPTION QUALITY SYMBOLS ▽=0 ◻=0	GENERAL TOLERANCES (UNLESS SPECIFIED)		DIMENSION STYLE MM ONLY		SCALE ---	DESIGN UNITS METRIC	FIRST ANGLE PROJECTION		
			mm	INCH	DRAWN BY	DATE	TITLE			
		4 PLACES	± ---	± ---	MLEVYTSKY	2009/01/21	MPM E152XXXXXXXX			
		3 PLACES	± ---	± ---	CHECKED BY	DATE				
			2 PLACES	± ---	± ---	MDABROWSKA	2009/01/21	MOLEX INCORPORATED		
			1 PLACE	± ---	± ---	APPROVED BY	DATE			
			ANGULAR ± ---°		MWOLSZCZAK	2009/01/21	DOCUMENT NO.		SHEET NO.	
			DRAFT WHERE APPLICABLE MUST REMAIN WITHIN DIMENSIONS		SEE DRAWING		E152XXXXXXXX		2 OF 4	
			SIZE	THIS DRAWING CONTAINS INFORMATION THAT IS PROPRIETARY TO MOLEX INCORPORATED AND SHOULD NOT BE USED WITHOUT WRITTEN PERMISSION						
			A3							