



10 BASE-T ETHERNET SMD PCMCIA FILTER

P/N:FS1124 APPLY TO GENERIC IC

Feature



- Designed for 10 BASE-T, PCMCIA ICs application.
- Fully compatible with IEEE 802.3 standard.
- 14-PIN SMD low profile package with height 2.5mm Max.
- Operating temperature range: 0°C to +70°C.
- Storage temperature range: -25°C to +125°C.

Electrical Specifications @ 25°C

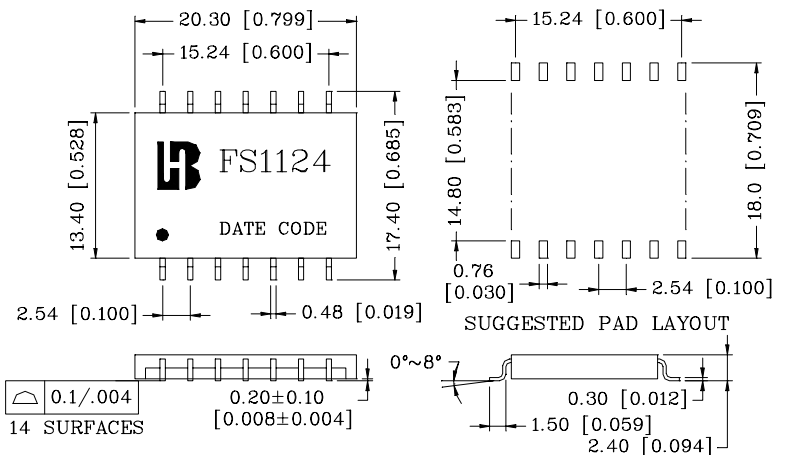
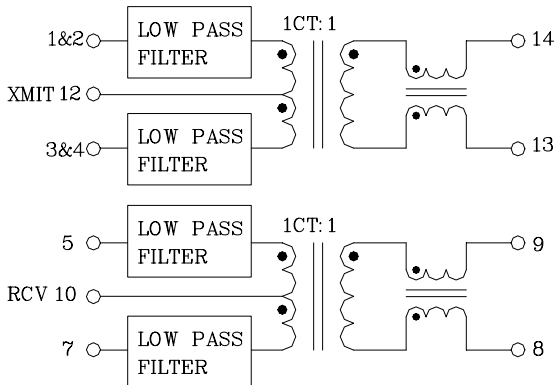
Part Number	Turns Ratio (±5%)		CUT-OFF Frequency TX/RX	Cross talk Attenuation (dB Min)		HI-POT (Vrms)
	TX	RX		1-10 MHz		
FS1124	1CT:1	1CT:1	17 MHz ± 1.5MHz	-30		1500

Continue

Part Number	Insertion Loss TX/RX(dB Max)	Return Loss TX/RX(dB Min)	Attenuation TX/RX(dB Min)				CMR TX/RX(dB Min)
	1-10MHz	5-10MHz	20MHz	25MHz	30MHz	40MHz	30-100MHz
FS1124	-1.0	-13	-4.5/-5	-18/-11	-28/-16	-33/-26	-30

Schematic

Mechanical



Units: mm[Inches] Tolerances: xx.x0±0.25[0.010]
 0.xx±0.05[0.002]