


# Quad Precision Op Amp (LT1014) Dual Precision Op Amp (LT1013)

## FEATURES

- Single Supply Operation
  - Input Voltage Range Extends to Ground
  - Output Swings to Ground while Sinking Current
- Pin Compatible to 1458 and 324 with Precision Specs
- *Guaranteed* Offset Voltage: 150 $\mu$ V Max
- *Guaranteed* Low Drift: 2 $\mu$ V/ $^{\circ}$ C Max
- *Guaranteed* Offset Current: 0.8nA Max
- *Guaranteed* High Gain
  - 5mA Load Current: 1.5 Million Min
  - 17mA Load Current: 0.8 Million Min
- *Guaranteed* Low Supply Current: 500 $\mu$ A Max
- Low Voltage Noise, 0.1Hz to 10Hz: 0.55 $\mu$ Vp-p
- Low Current Noise—Better than OP-07, 0.07pA/ $\sqrt{\text{Hz}}$

## APPLICATIONS

- Battery-Powered Precision Instrumentation
  - Strain Gauge Signal Conditioners
  - Thermocouple Amplifiers
  - Instrumentation Amplifiers
- 4mA–20mA Current Loop Transmitters
- Multiple Limit Threshold Detection
- Active Filters
- Multiple Gain Blocks

 LT, LTC and LTM are registered trademarks of Linear Technology Corporation. All other trademarks are the property of their respective owners.

## DESCRIPTION

The LT<sup>®</sup>1014 is the first precision quad operational amplifier which directly upgrades designs in the industry standard 14-pin DIP LM324/LM348/OP-11/4156 pin configuration. It is no longer necessary to compromise specifications, while saving board space and cost, as compared to single operational amplifiers.

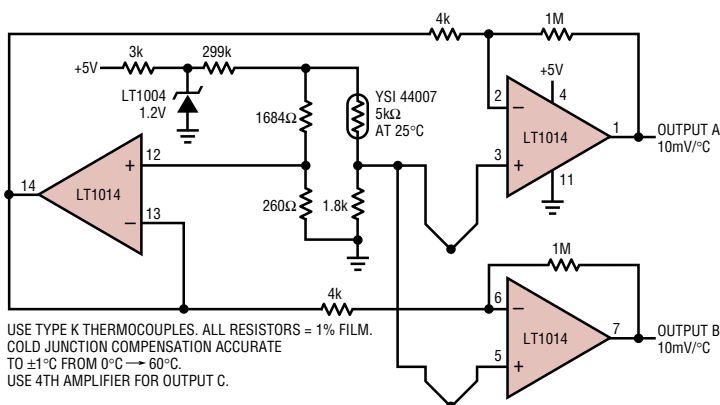
The LT1014's low offset voltage of 50 $\mu$ V, drift of 0.3 $\mu$ V/ $^{\circ}$ C, offset current of 0.15nA, gain of 8 million, common mode rejection of 117dB and power supply rejection of 120dB qualify it as four truly precision operational amplifiers. Particularly important is the low offset voltage, since no offset null terminals are provided in the quad configuration. Although supply current is only 350 $\mu$ A per amplifier, a new output stage design sources and sinks in excess of 20mA of load current, while retaining high voltage gain.

Similarly, the LT1013 is the first precision dual op amp in the 8-pin industry standard configuration, upgrading the performance of such popular devices as the MC1458/1558, LM158 and OP-221. The LT1013's specifications are similar to (even somewhat better than) the LT1014's.

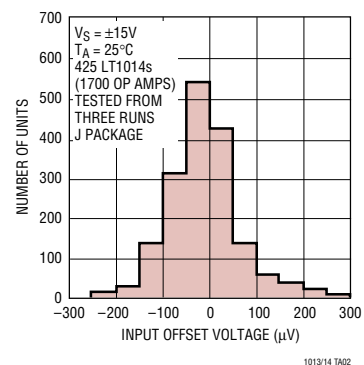
Both the LT1013 and LT1014 can be operated off a single 5V power supply: input common mode range includes ground; the output can also swing to within a few millivolts of ground. Crossover distortion, so apparent on previous single-supply designs, is eliminated. A full set of specifications is provided with  $\pm 15$ V and single 5V supplies.

## TYPICAL APPLICATION

### 3 Channel Thermocouple Thermometer



### LT1014 Distribution of Offset Voltage





**ELECTRICAL CHARACTERISTICS**  $T_A = 25^\circ\text{C}$ .  $V_S = \pm 15\text{V}$ ,  $V_{CM} = 0\text{V}$  unless otherwise noted.

SYMBOL	PARAMETER	CONDITIONS	LT1013AM/AC LT1014AM/AC			LT1013C/D/I/M LT1014C/D/I/M			UNITS
			MIN	TYP	MAX	MIN	TYP	MAX	
$V_{OS}$	Input Offset Voltage	LT1013	—	40	150	—	60	300	$\mu\text{V}$
		LT1014	—	50	180	—	60	300	$\mu\text{V}$
		LT1013D/I, LT1014D/I	—	—	—	—	200	800	$\mu\text{V}$
	Long Term Input Offset Voltage Stability		—	0.4	—	—	0.5	—	$\mu\text{V}/\text{Mo.}$
$I_{SO}$	Input Offset Current		—	0.15	0.8	—	0.2	1.5	nA
$I_B$	Input Bias Current		—	12	20	—	15	30	nA
$e_n$	Input Noise Voltage	0.1Hz to 10Hz	—	0.55	—	—	0.55	—	$\mu\text{Vp-p}$
$e_n$	Input Noise Voltage Density	$f_0 = 10\text{Hz}$	—	24	—	—	24	—	$\text{nV}/\sqrt{\text{Hz}}$
		$f_0 = 1000\text{Hz}$	—	22	—	—	22	—	$\text{nV}/\sqrt{\text{Hz}}$
$i_n$	Input Noise Current Density	$f_0 = 10\text{Hz}$	—	0.07	—	—	0.07	—	$\text{pA}/\sqrt{\text{Hz}}$
	Input Resistance – Differential Common Mode	(Note 2)	100	400	—	70	300	—	$\text{M}\Omega$
			—	5	—	—	4	—	$\text{G}\Omega$
$A_{VOL}$	Large Signal Voltage Gain	$V_O = \pm 10\text{V}$ , $R_L = 2\text{k}$	1.5	8.0	—	1.2	7.0	—	$\text{V}/\mu\text{V}$
		$V_O = \pm 10\text{V}$ , $R_L = 600\Omega$	0.8	2.5	—	0.5	2.0	—	$\text{V}/\mu\text{V}$
	Input Voltage Range		+13.5	+13.8	—	+13.5	+13.8	—	V
			–15.0	–15.3	—	–15.0	–15.3	—	V
CMRR	Common Mode Rejection Ratio	$V_{CM} = +13.5\text{V}$ , $-15.0\text{V}$	100	117	—	97	114	—	dB
PSRR	Power Supply Rejection Ratio	$V_S = \pm 2\text{V}$ to $\pm 18\text{V}$	103	120	—	100	117	—	dB
	Channel Separation	$V_O = \pm 10\text{V}$ , $R_L = 2\text{k}$	123	140	—	120	137	—	dB
$V_{OUT}$	Output Voltage Swing	$R_L = 2\text{k}$	$\pm 13$	$\pm 14$	—	$\pm 12.5$	$\pm 14$	—	V
			0.2	0.4	—	0.2	0.4	—	$\text{V}/\mu\text{s}$
$I_S$	Supply Current	Per Amplifier	—	0.35	0.50	—	0.35	0.55	mA

$T_A = 25^\circ\text{C}$ .  $V_{S^+} = +5\text{V}$ ,  $V_{S^-} = 0\text{V}$ ,  $V_{OUT} = 1.4\text{V}$ ,  $V_{CM} = 0\text{V}$  unless otherwise noted

SYMBOL	PARAMETER	CONDITIONS	LT1013AM/AC LT1014AM/AC			LT1013C/D/I/M LT1014C/D/I/M			UNITS
			MIN	TYP	MAX	MIN	TYP	MAX	
$V_{OS}$	Input Offset Voltage	LT1013	—	60	250	—	90	450	$\mu\text{V}$
		LT1014	—	70	280	—	90	450	$\mu\text{V}$
		LT1013D/I, LT1014D/I	—	—	—	—	250	950	$\mu\text{V}$
$I_{OS}$	Input Offset Current		—	0.2	1.3	—	0.3	2.0	nA
$I_B$	Input Bias Current		—	15	35	—	18	50	nA
$A_{VOL}$	Large Signal Voltage Gain	$V_O = 5\text{mV}$ to $4\text{V}$ , $R_L = 500\Omega$	—	1.0	—	—	1.0	—	$\text{V}/\mu\text{V}$
			+3.5	+3.8	—	+3.5	+3.8	—	V
	Input Voltage Range		0	–0.3	—	0	–0.3	—	V
			—	15	25	—	15	25	mV
$V_{OUT}$	Output Voltage Swing	Output Low, No Load	—	15	25	—	15	25	mV
		Output Low, $600\Omega$ to Ground	—	5	10	—	5	10	mV
		Output Low, $I_{SINK} = 1\text{mA}$	—	220	350	—	220	350	mV
		Output High, No Load	4.0	4.4	—	4.0	4.4	—	V
		Output High, $600\Omega$ to Ground	3.4	4.0	—	3.4	4.0	—	V
$I_S$	Supply Current	Per Amplifier	—	0.31	0.45	—	0.32	0.50	mA

**ELECTRICAL CHARACTERISTICS** The ● denotes the specifications which apply over the temperature range  $-55^{\circ}\text{C} \leq T_A \leq 125^{\circ}\text{C}$ .  $V_S = \pm 15\text{V}$ ,  $V_{CM} = 0\text{V}$  unless otherwise noted.

SYMBOL	PARAMETER	CONDITIONS	LT1013AM			LT1014AM			LT1013M/LT1014M			UNITS	
			MIN	TYP	MAX	MIN	TYP	MAX	MIN	TYP	MAX		
$V_{OS}$	Input Offset Voltage	$V_S = +5\text{V}, 0\text{V}; V_O = +1.4\text{V}$ $-55^{\circ}\text{C} \leq T_A \leq 100^{\circ}\text{C}$ $V_{CM} = 0.1\text{V}, T_A = 125^{\circ}\text{C}$ $V_{CM} = 0\text{V}, T_A = 125^{\circ}\text{C}$	●	—	80	300	—	90	350	—	110	550	$\mu\text{V}$
			●	—	80	450	—	90	480	—	100	750	$\mu\text{V}$
			●	—	120	450	—	150	480	—	200	750	$\mu\text{V}$
			●	—	250	900	—	300	960	—	400	1500	$\mu\text{V}$
	Input Offset Voltage Drift	(Note 3)	●	—	0.4	2.0	—	0.4	2.0	—	0.5	2.5	$\mu\text{V}/^{\circ}\text{C}$
$I_{OS}$	Input Offset Current	$V_S = +5\text{V}, 0\text{V}; V_O = +1.4\text{V}$	●	—	0.3	2.5	—	0.3	2.8	—	0.4	5.0	nA
			●	—	0.6	6.0	—	0.7	7.0	—	0.9	10.0	nA
$I_B$	Input Bias Current	$V_S = +5\text{V}, 0\text{V}; V_O = +1.4\text{V}$	●	—	15	30	—	15	30	—	18	45	nA
			●	—	20	80	—	25	90	—	28	120	nA
$A_{VOL}$	Large Signal Voltage Gain	$V_O = \pm 10\text{V}, R_L = 2\text{k}$	●	0.5	2.0	—	0.4	2.0	—	0.25	2.0	—	$\text{V}/\mu\text{V}$
CMRR	Common Mode Rejection	$V_{CM} = +13.0\text{V}, -14.9\text{V}$	●	97	114	—	96	114	—	94	113	—	dB
PSRR	Power Supply Rejection Ratio	$V_S = \pm 2\text{V}$ to $\pm 18\text{V}$	●	100	117	—	100	117	—	97	116	—	dB
$V_{OUT}$	Output Voltage Swing	$R_L = 2\text{k}$ $V_S = +5\text{V}, 0\text{V}$ $R_L = 600\Omega$ to Ground Output Low Output High	●	$\pm 12$	$\pm 13.8$	—	$\pm 12$	$\pm 13.8$	—	$\pm 11.5$	$\pm 13.8$	—	V
			●	—	6	15	—	6	15	—	6	18	mV
			●	3.2	3.8	—	3.2	3.8	—	3.1	3.8	—	V
$I_S$	Supply Current Per Amplifier	$V_S = +5\text{V}, 0\text{V}; V_O = +1.4\text{V}$	●	—	0.38	0.60	—	0.38	0.60	—	0.38	0.7	mA
			●	—	0.34	0.55	—	0.34	0.55	—	0.34	0.65	mA

**ELECTRICAL CHARACTERISTICS** The ● denotes the specifications which apply over the temperature range  $-40^{\circ}\text{C} \leq T_A \leq 85^{\circ}\text{C}$  for LT1013I, LT1014I,  $0^{\circ}\text{C} \leq T_A \leq 70^{\circ}\text{C}$  for LT1013C, LT1013D, LT1014C, LT1014D.  $V_S = \pm 15\text{V}$ ,  $V_{CM} = 0\text{V}$  unless otherwise noted.

SYMBOL	PARAMETER	CONDITIONS	LT1013AC			LT1014AC			LT1013C/D/ LT1014C/D/I			UNITS
			MIN	TYP	MAX	MIN	TYP	MAX	MIN	TYP	MAX	
$V_{OS}$	Input Offset Voltage	LT1013D/I, LT1014D/I $V_S = +5\text{V}, 0\text{V}; V_O = 1.4\text{V}$ LT1013D/I, LT1014D/I $V_S = +5\text{V}, 0\text{V}; V_O = 1.4\text{V}$	● —	55	240	—	65	270	—	80	400	$\mu\text{V}$
			● —	—	—	—	—	—	—	230	1000	$\mu\text{V}$
			● —	75	350	—	85	380	—	110	570	$\mu\text{V}$
			● —	—	—	—	—	—	—	—	280	1200
	Average Input Offset Voltage Drift	(Note 3) LT1013D/I, LT1014D/I	● —	0.3	2.0	—	0.3	2.0	—	0.4	2.5	$\mu\text{V}/^{\circ}\text{C}$
			● —	—	—	—	—	—	—	—	0.7	5.0
$I_{OS}$	Input Offset Current	$V_S = +5\text{V}, 0\text{V}; V_O = 1.4\text{V}$	● —	0.2	1.5	—	0.2	1.7	—	0.3	2.8	nA
			● —	0.4	3.5	—	0.4	4.0	—	0.5	6.0	nA
$I_B$	Input Bias Current	$V_S = +5\text{V}, 0\text{V}; V_O = 1.4\text{V}$	● —	13	25	—	13	25	—	16	38	nA
			● —	18	55	—	20	60	—	24	90	nA
$A_{VOL}$	Large Signal Voltage Gain	$V_O = \pm 10\text{V}, R_L = 2\text{k}$	● 1.0	5.0	—	1.0	5.0	—	0.7	4.0	—	$\text{V}/\mu\text{V}$
CMRR	Common Mode Rejection Ratio	$V_{CM} = +13.0\text{V}, -15.0\text{V}$	● 98	116	—	98	116	—	94	113	—	dB
PSRR	Power Supply Rejection Ratio	$V_S = \pm 2\text{V}$ to $\pm 18\text{V}$	● 101	119	—	101	119	—	97	116	—	dB
$V_{OUT}$	Output Voltage Swing	$R_L = 2\text{k}$ $V_S = +5\text{V}, 0\text{V}; R_L = 600\Omega$ Output Low Output High	● $\pm 12.5$	$\pm 13.9$	—	$\pm 12.5$	$\pm 13.9$	—	$\pm 12.0$	$\pm 13.9$	—	V
			● —	6	13	—	6	13	—	6	13	mV
			● 3.3	3.9	—	3.3	3.9	—	3.2	3.9	—	V
$I_S$	Supply Current per Amplifier	$V_S = +5\text{V}, 0\text{V}; V_O = 1.4\text{V}$	● —	0.36	0.55	—	0.36	0.55	—	0.37	0.60	mA
			● —	0.32	0.50	—	0.32	0.50	—	0.34	0.55	mA

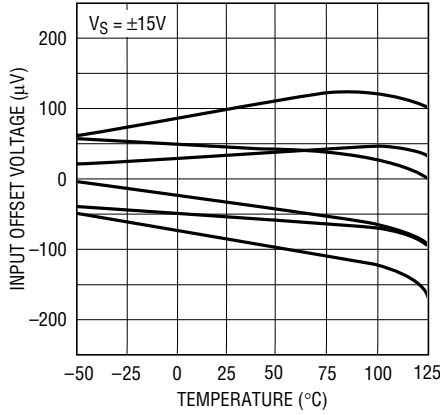
**Note 1:** Stresses beyond those listed under Absolute Maximum Ratings may cause permanent damage to the device. Exposure to any Absolute Rating condition for extended periods may affect device reliability and lifetime.

**Note 2:** This parameter is guaranteed by design and is not tested. Typical parameters are defined as the 60% yield of parameter distributions of individual amplifiers; i.e., out of 100 LT1014s (or 100 LT1013s) typically 240 op amps (or 120) will be better than the indicated specification.

**Note 3:** This parameter is not 100% tested.

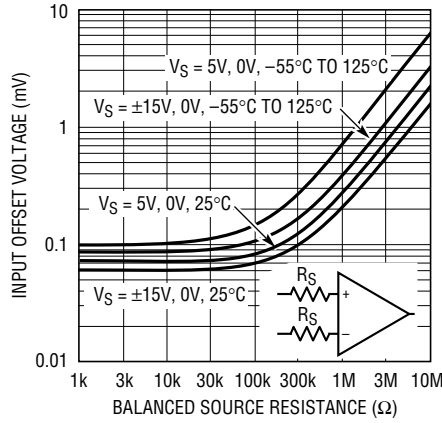
TYPICAL PERFORMANCE CHARACTERISTICS

Offset Voltage Drift with Temperature of Representative Units



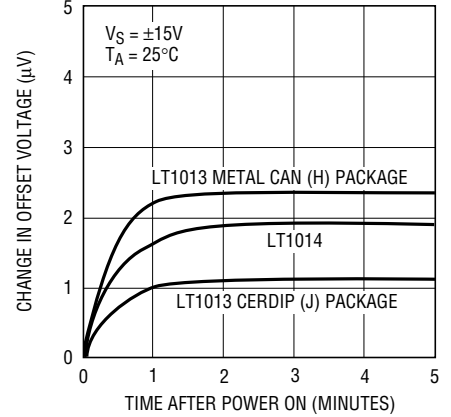
1013/14 TPC01

Offset Voltage vs Balanced Source Resistance



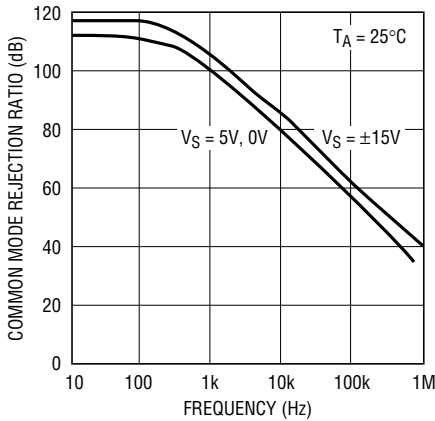
1013/14 TPC02

Warm-Up Drift



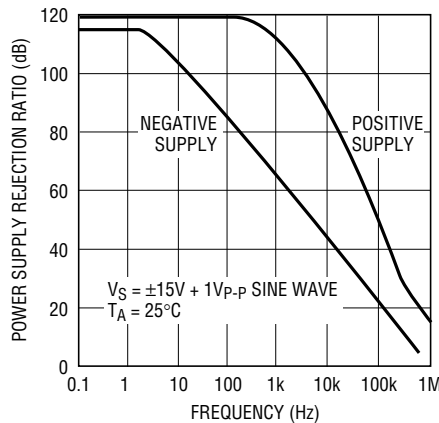
1013/14 TPC03

Common Mode Rejection Ratio vs Frequency



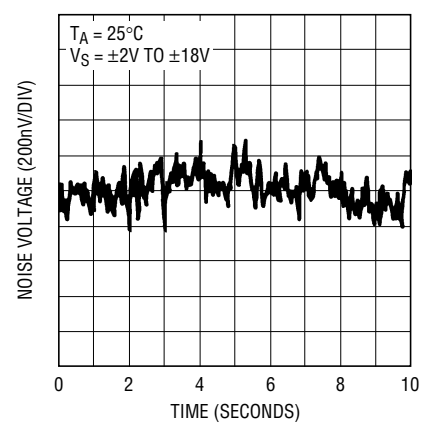
1013/14 TPC04

Power Supply Rejection Ratio vs Frequency



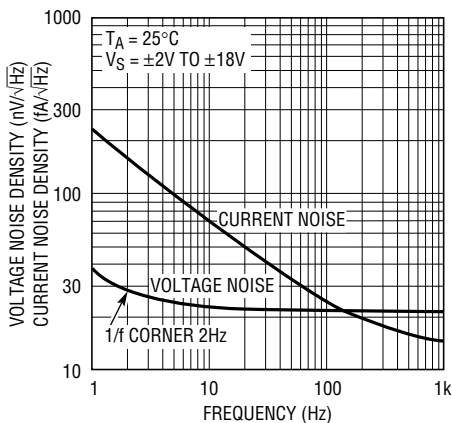
1013/14 TPC05

0.1Hz to 10Hz Noise



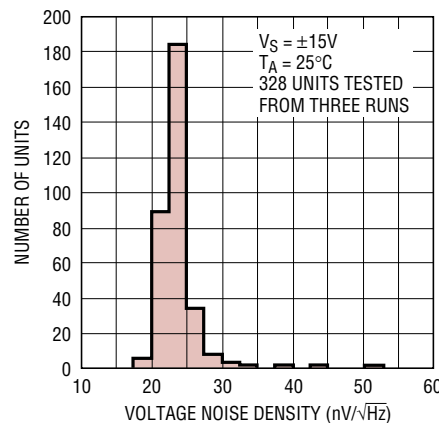
1013/14 TPC06

Noise Spectrum



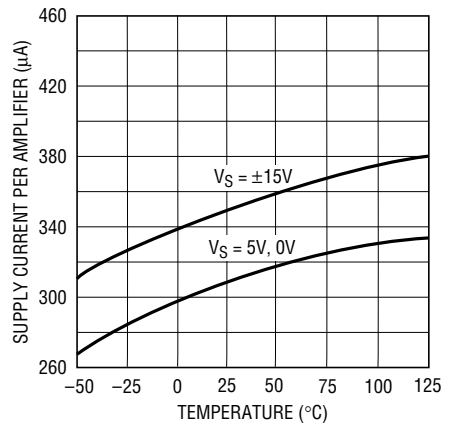
1013/14 TPC07

10Hz Voltage Noise Distribution



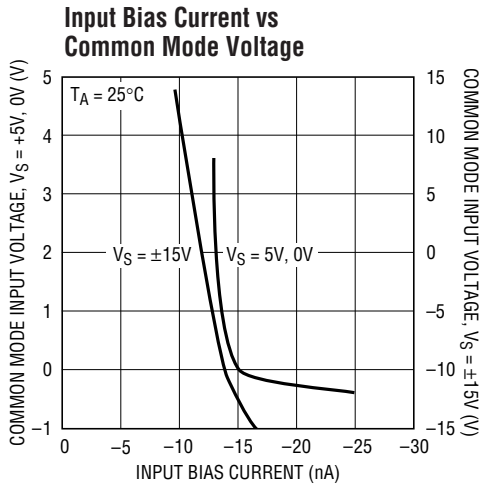
1013/14 TPC08

Supply Current vs Temperature

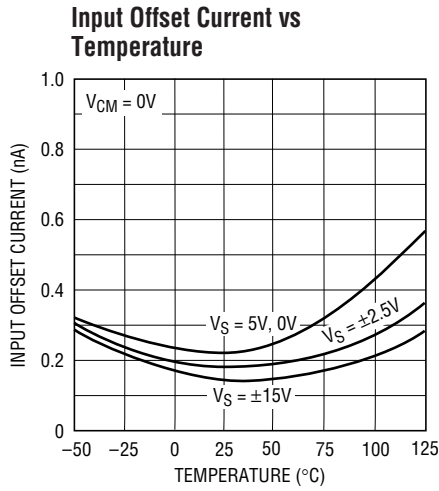


1013/14 TPC09

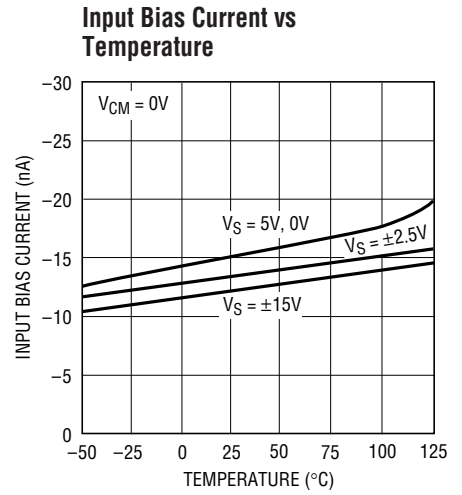
# TYPICAL PERFORMANCE CHARACTERISTICS



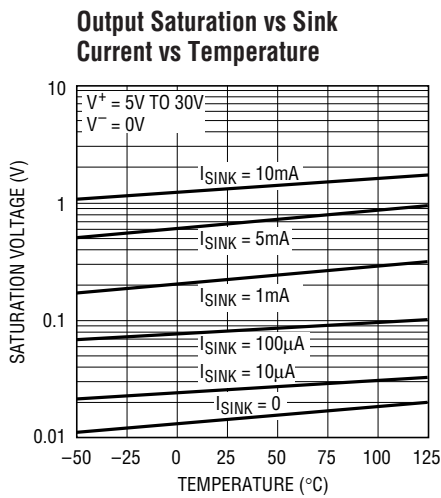
1013/14 TPC10



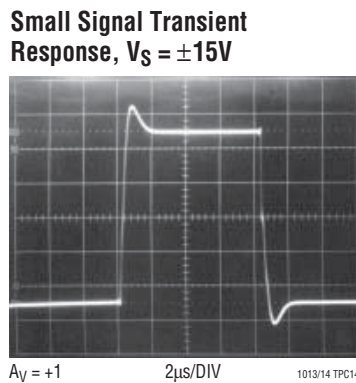
1013/14 TPC11



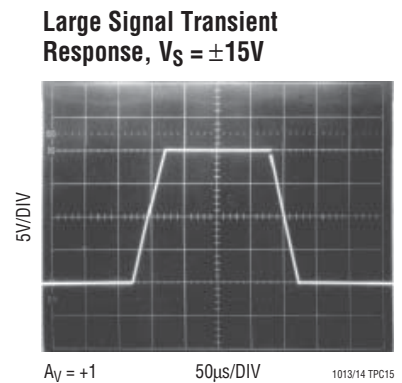
1013/14 TPC12



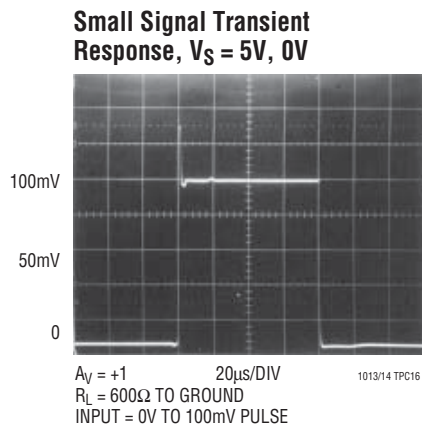
1013/14 TPC13



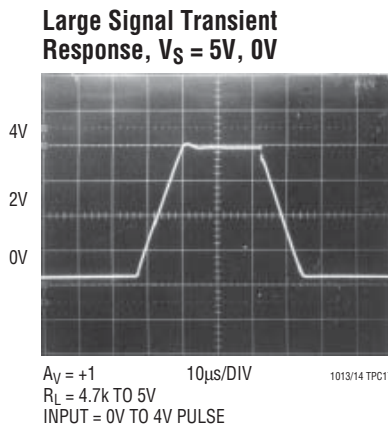
1013/14 TPC14



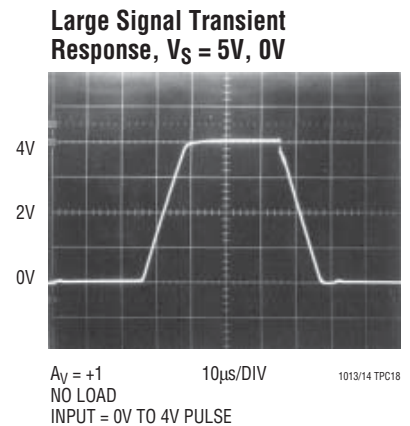
1013/14 TPC15



1013/14 TPC16



1013/14 TPC17

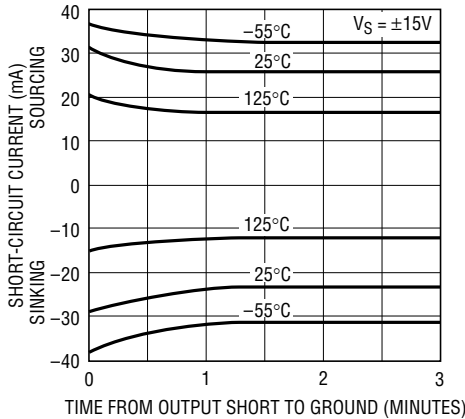


1013/14 TPC18



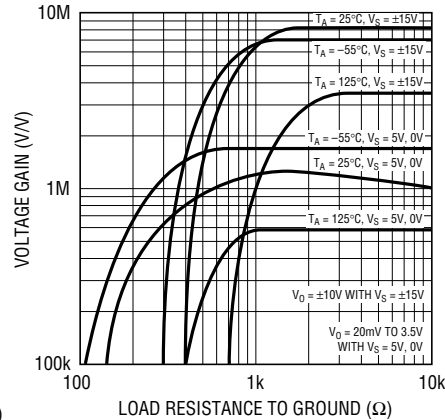
## TYPICAL PERFORMANCE CHARACTERISTICS

**Output Short-Circuit Current vs Time**



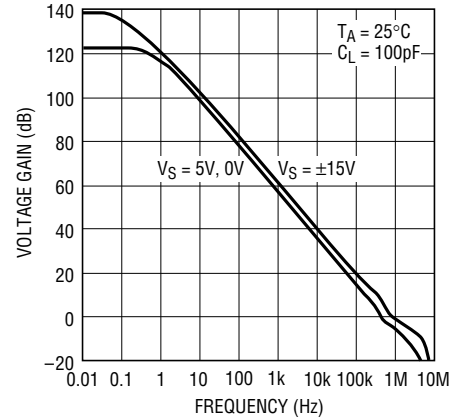
1013/14 TPC19

**Voltage Gain vs Load Resistance**



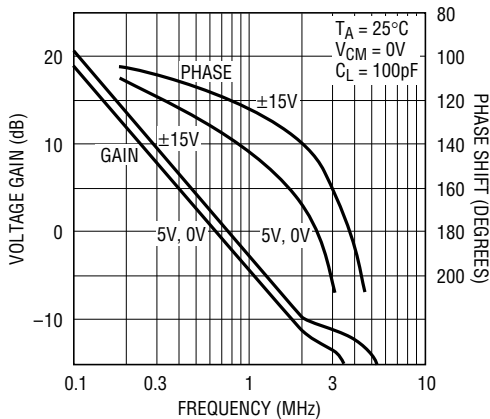
1013/14 TPC20

**Voltage Gain vs Frequency**



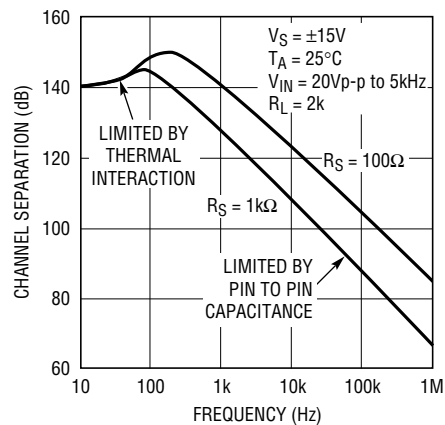
1013/14 TPC21

**Gain, Phase vs Frequency**



1013/14 TPC22

**Channel Separation vs Frequency**



1013/14 TPC23

## APPLICATIONS INFORMATION

### Single Supply Operation

The LT1013/LT1014 are fully specified for single supply operation, i.e., when the negative supply is 0V. Input common mode range includes ground; the output swings within a few millivolts of ground. Single supply operation, however, can create special difficulties, both at the input and at the output. The LT1013/LT1014 have specific circuitry which addresses these problems.

At the input, the driving signal can fall below 0V— inadvertently or on a transient basis. If the input is more than a few hundred millivolts below ground, two distinct prob-

lems can occur on previous single supply designs, such as the LM124, LM158, OP-20, OP-21, OP-220, OP-221, OP-420:

- a) When the input is more than a diode drop below ground, unlimited current will flow from the substrate ( $V^-$  terminal) to the input. This can destroy the unit. On the LT1013/LT1014, the 400 $\Omega$  resistors, in series with the input (see Schematic Diagram), protect the devices even when the input is 5V below ground.



## APPLICATIONS INFORMATION

b) When the input is more than 400mV below ground (at 25°C), the input stage saturates (transistors Q3 and Q4) and phase reversal occurs at the output. This can cause lock-up in servo systems. Due to a unique phase reversal protection circuitry (Q21, Q22, Q27, Q28), the LT1013/LT1014's outputs do not reverse, as illustrated below, even when the inputs are at -1.5V.

There is one circumstance, however, under which the phase reversal protection circuitry does not function: when the other op amp on the LT1013, or one specific amplifier of the other three on the LT1014, is driven hard into negative saturation at the output.

Phase reversal protection does not work on amplifier:

A when D's output is in negative saturation. B's and C's outputs have no effect.

B when C's output is in negative saturation. A's and D's outputs have no effect.

C when B's output is in negative saturation. A's and D's outputs have no effect.

D when A's output is negative saturation. B's and C's outputs have no effect.

At the output, the aforementioned single supply designs either cannot swing to within 600mV of ground (OP-20) or cannot sink more than a few microamperes while swinging to ground (LM124, LM158). The LT1013/LT1014's all-NPN output stage maintains its low output resistance and high gain characteristics until the output is saturated.

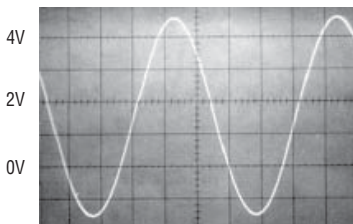
In dual supply operations, the output stage is crossover distortion-free.

### Comparator Applications

The single supply operation of the LT1013/LT1014 lends itself to its use as a precision comparator with TTL compatible output:

In systems using both op amps and comparators, the LT1013/LT1014 can perform multiple duties; for example, on the LT1014, two of the devices can be used as op amps and the other two as comparators.

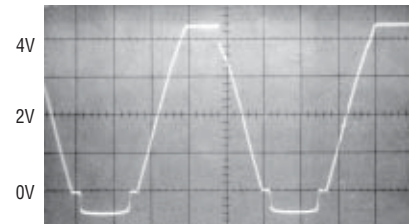
### Voltage Follower with Input Exceeding the Negative Common Mode Range



6Vp-p INPUT, -1.5V TO 4.5V

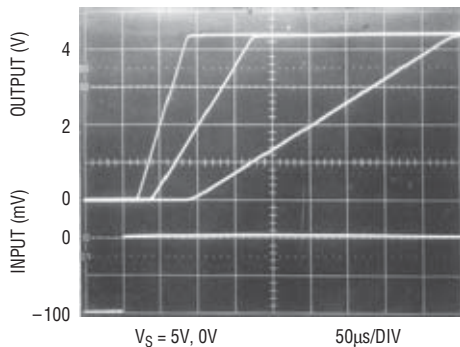


LM324, LM358, OP-20  
EXHIBIT OUTPUT PHASE  
REVERSAL

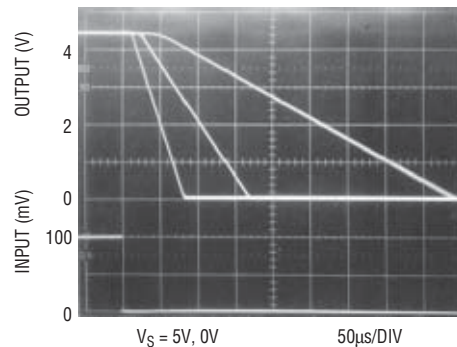


LT1013/LT1014  
NO PHASE REVERSAL

### Comparator Rise Response Time 10mV, 5mV, 2mV Overdrives



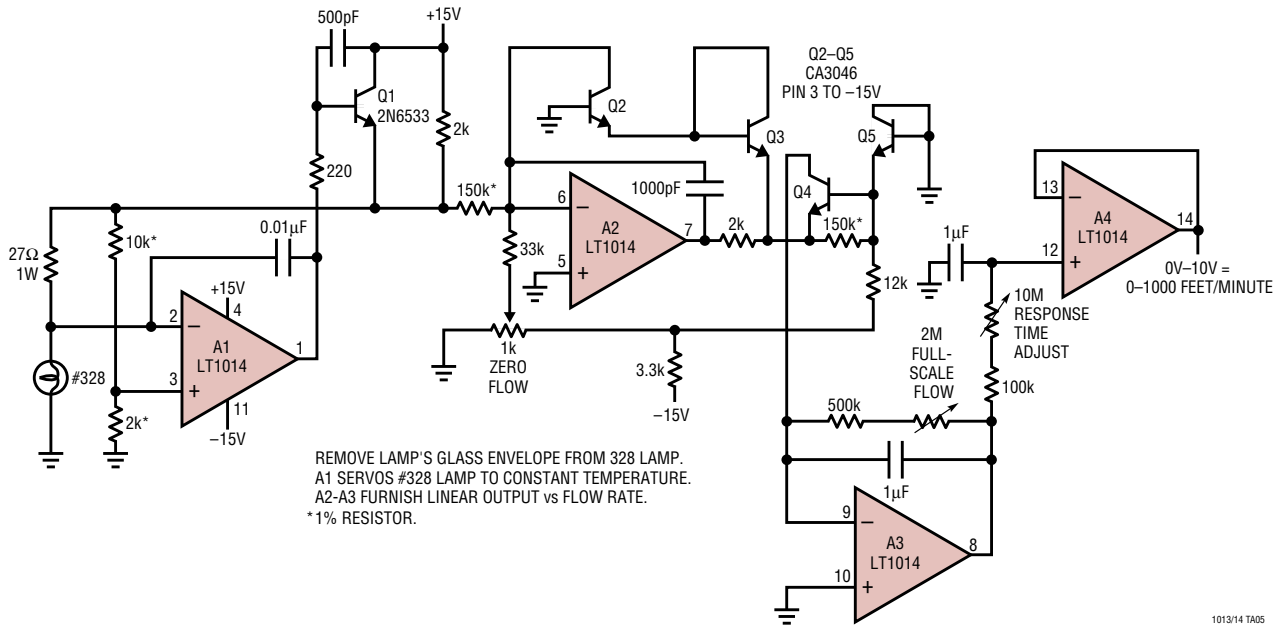
### Comparator Fall Response Time to 10mV, 5mV, 2mV Overdrives





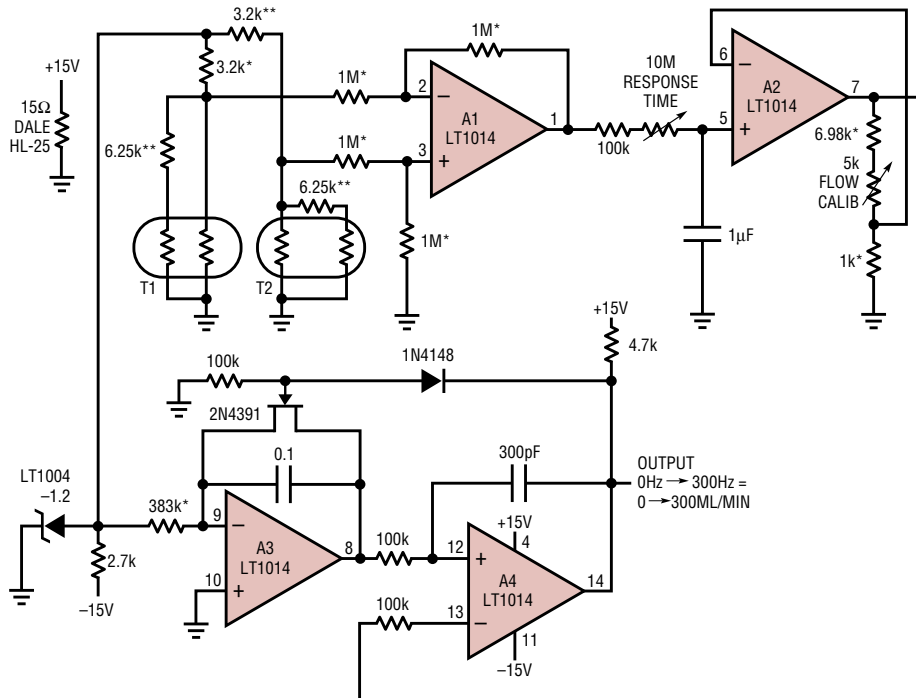
TYPICAL APPLICATIONS

Hot Wire Anemometer



1013/14 TA05

Liquid Flowmeter



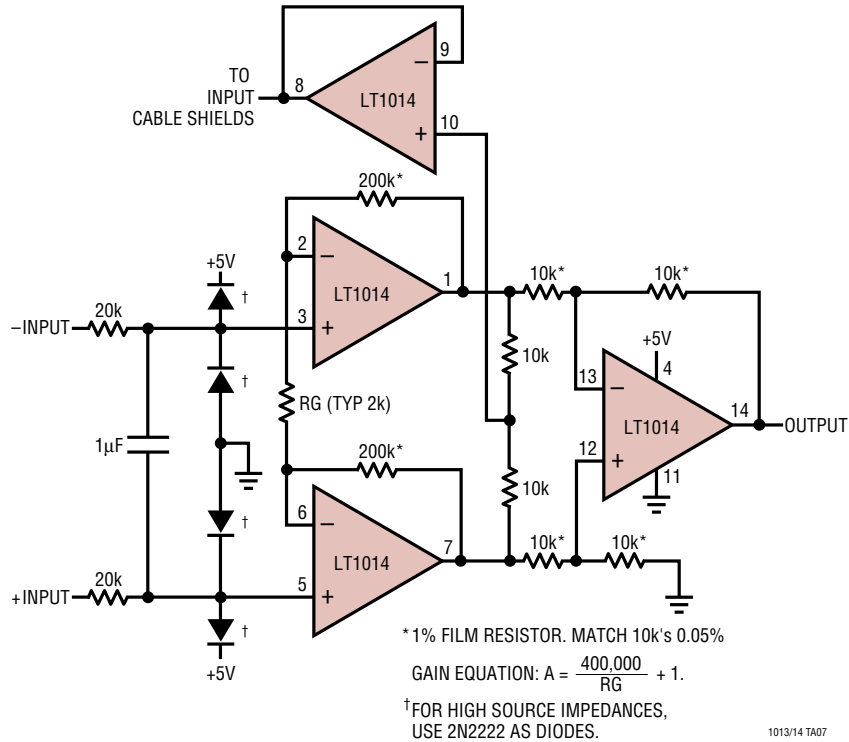
\*1% FILM RESISTOR.  
 \*\* SUPPLIED WITH YSI THERMISTOR NETWORK. T1, T2 YSI THERMISTOR NETWORK = #44201. FLOW IN PIPE IS INVERSELY PROPORTIONAL TO RESISTANCE OF T1-T2 TEMPERATURE DIFFERENCE. A1-A2 PROVIDE GAIN. A3-A4 PROVIDE LINEARIZED FREQUENCY OUTPUT.

1013/14 TA06

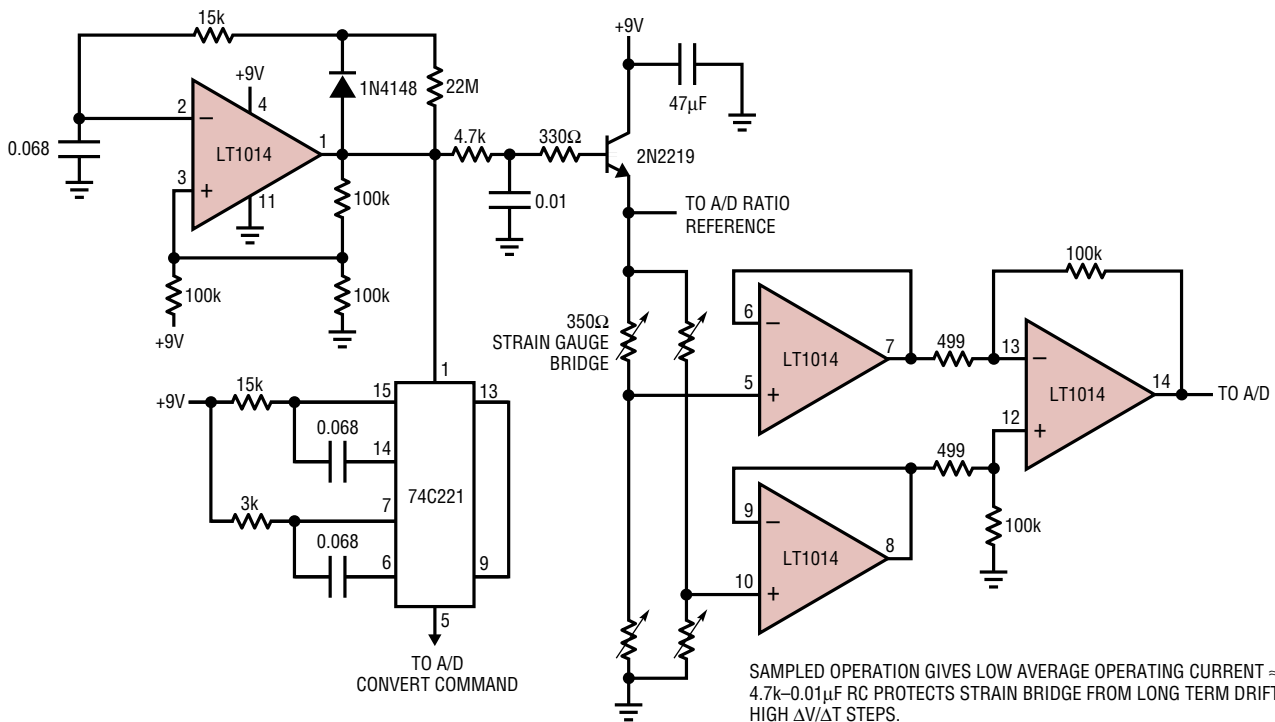
10134fc

TYPICAL APPLICATIONS

5V Powered Precision Instrumentation Amplifier

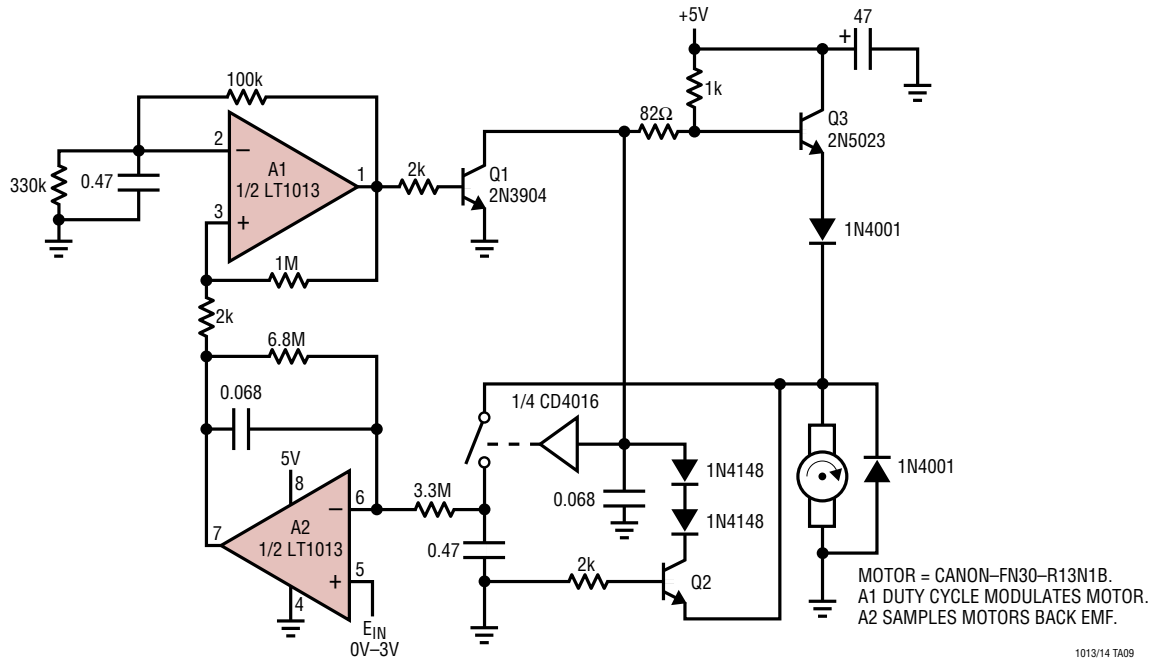


9V Battery Powered Strain Gauge Signal Conditioner

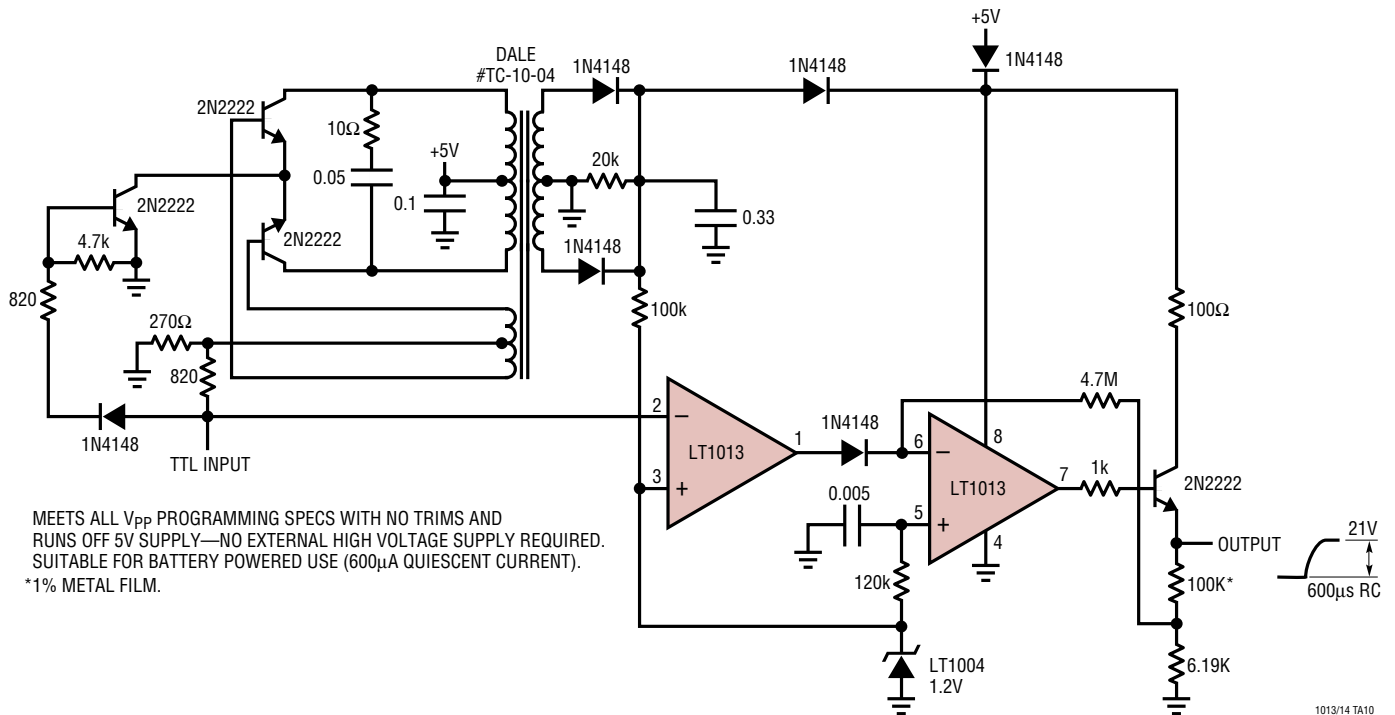


# TYPICAL APPLICATIONS

## 5V Powered Motor Speed Controller No Tachometer Required

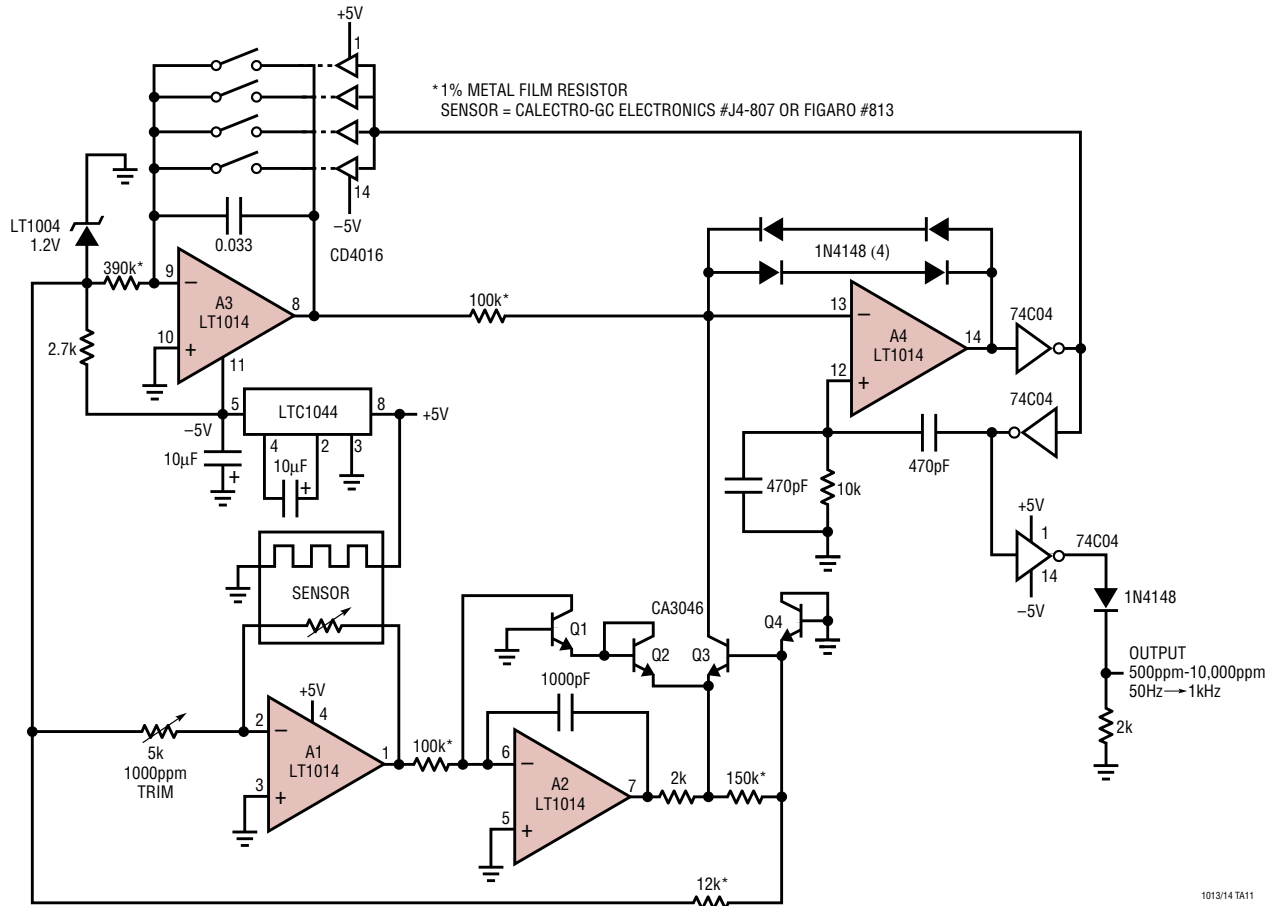


## 5V Powered EEPROM Pulse Generator



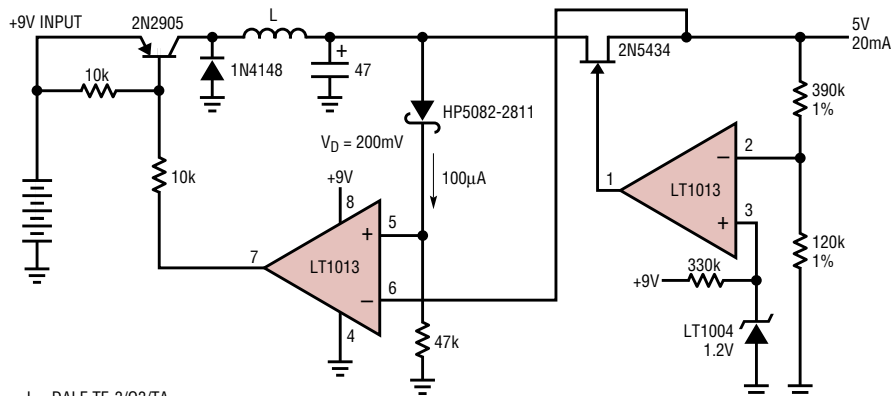
TYPICAL APPLICATIONS

Methane Concentration Detector with Linearized Output



1013/14 TA11

Low Power 9V to 5V Converter

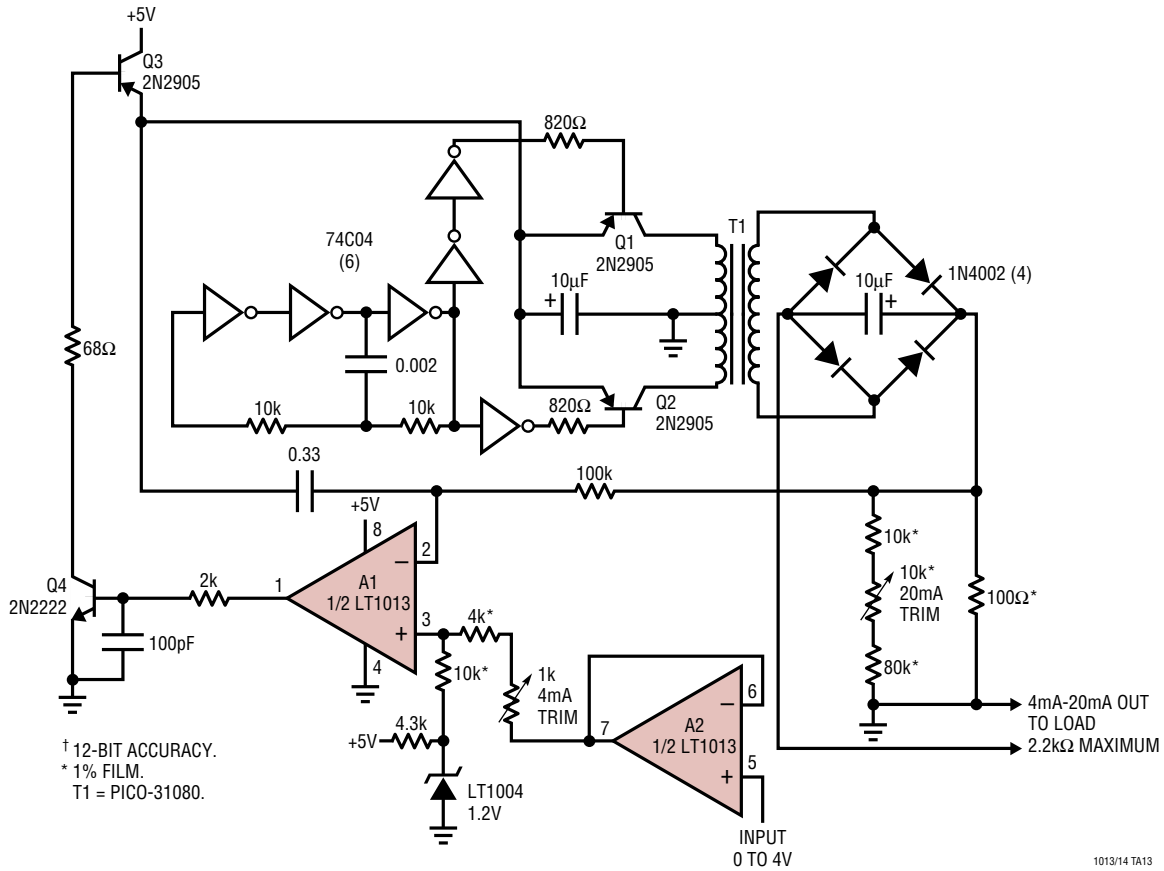


L = DALE TE-3/Q3/TA.  
 SHORT CIRCUIT CURRENT = 30mA.  
 ≈ 75% EFFICIENCY.  
 SWITCHING PREREGULATOR CONTROLS DROP ACROSS FET TO 200mV.

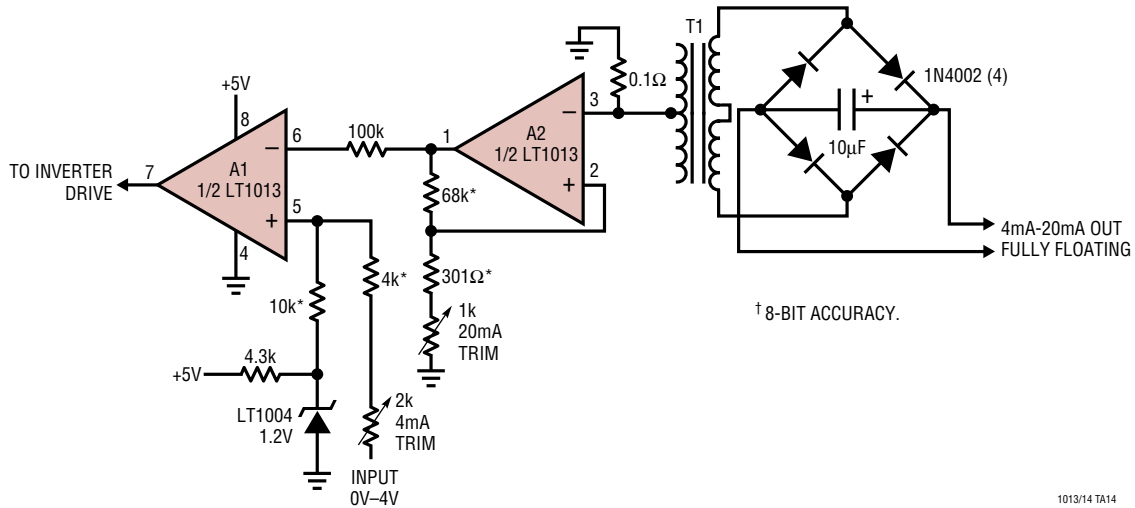
1013/14 TA12

# TYPICAL APPLICATIONS

### 5V Powered 4mA–20mA Current Loop Transmitter†



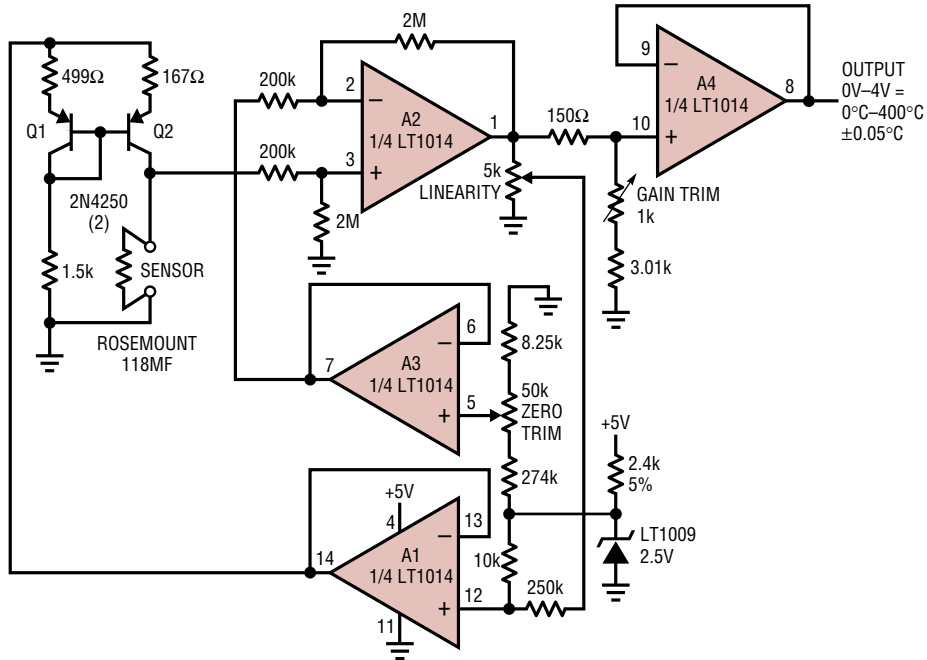
### Fully Floating Modification to 4mA–20mA Current Loop†





TYPICAL APPLICATIONS

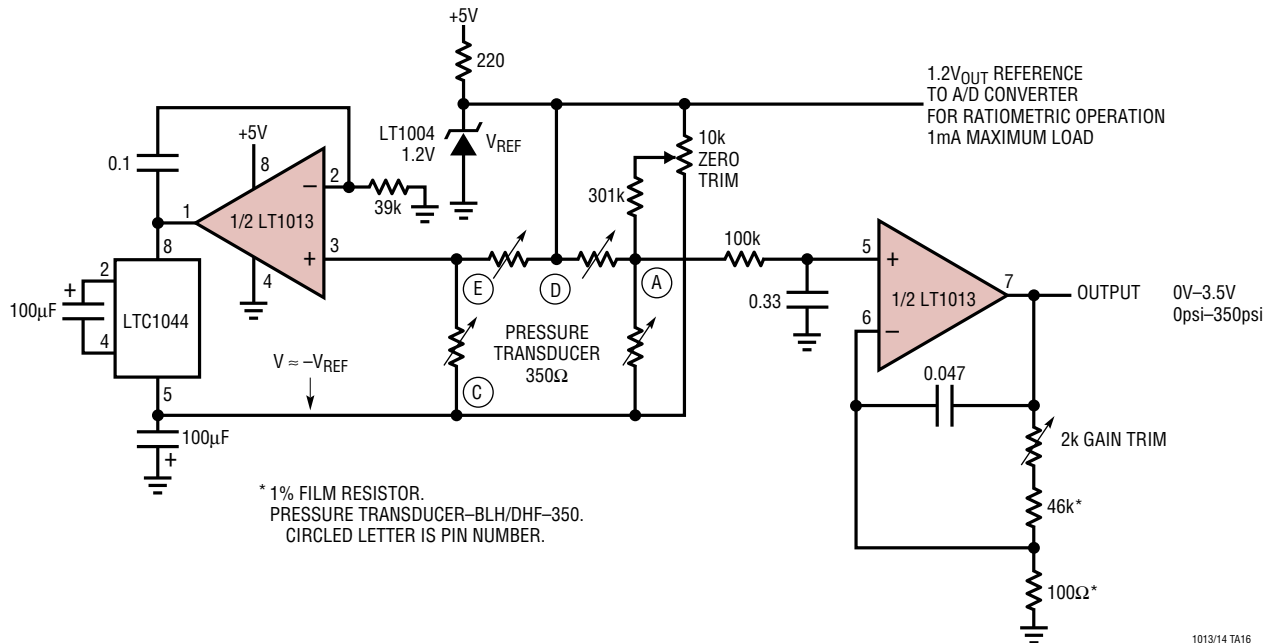
5V Powered, Linearized Platinum RTD Signal Conditioner



ALL RESISTORS ARE TRW-MAR-6 METAL FILM.  
 RATIO MATCH 2M-200K ± 0.01%.  
 TRIM SEQUENCE:  
 SET SENSOR TO 0° VALUE.  
 ADJUST ZERO FOR 0V OUT.  
 SET SENSOR TO 100°C VALUE.  
 ADJUST GAIN FOR 1.000V OUT.  
 SET SENSOR TO 400°C.  
 ADJUST LINEARITY FOR 4.000V OUT, REPEAT AS REQUIRED.

1013/14 TA15

Strain Gauge Bridge Signal Conditioner



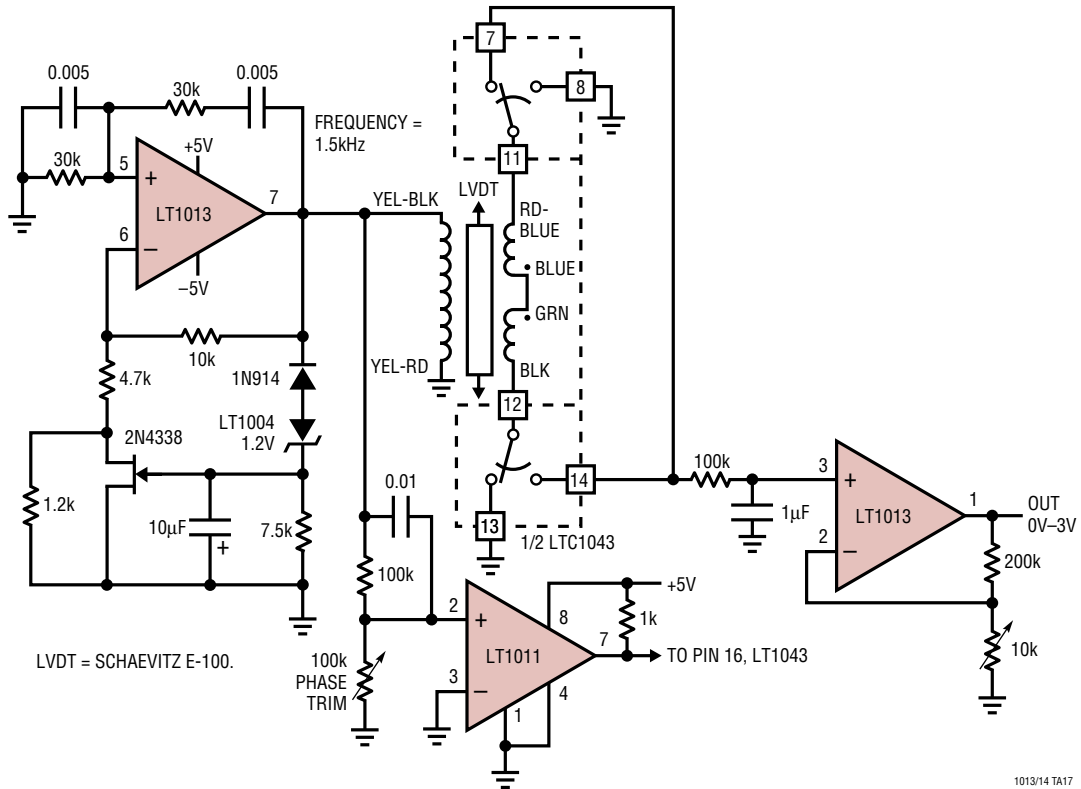
\* 1% FILM RESISTOR.  
 PRESSURE TRANSDUCER-BLH/DHF-350.  
 CIRCLED LETTER IS PIN NUMBER.

1013/14 TA16

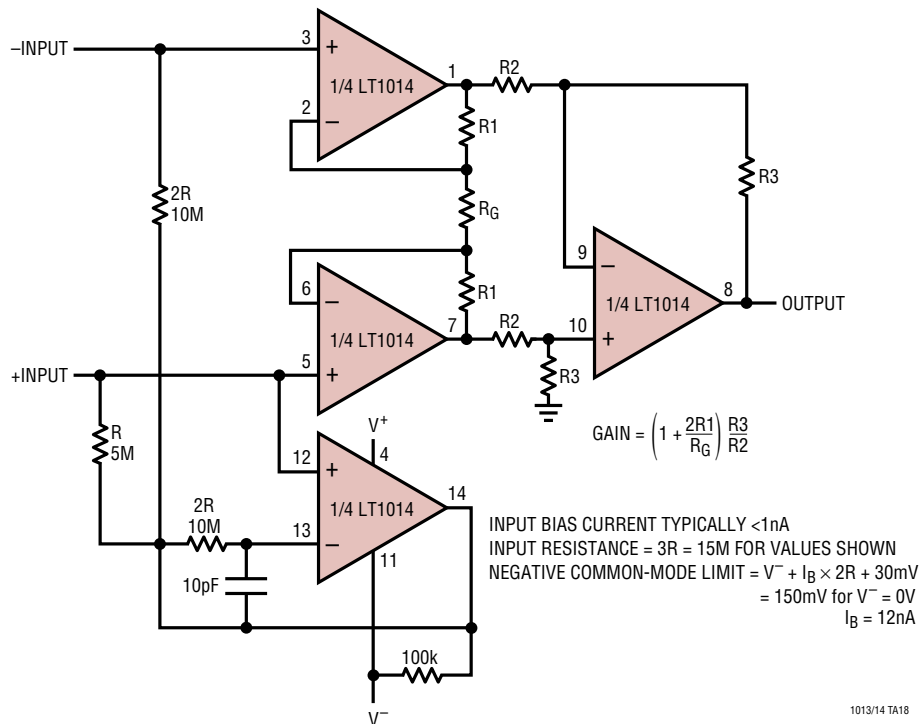
10134fc

TYPICAL APPLICATIONS

LVDT Signal Conditioner

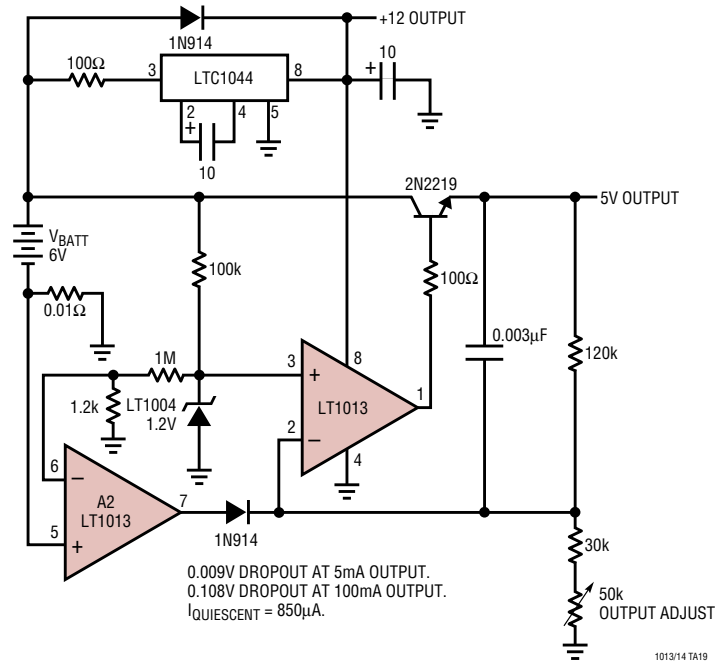


Triple Op Amp Instrumentation Amplifier with Bias Current Cancellation

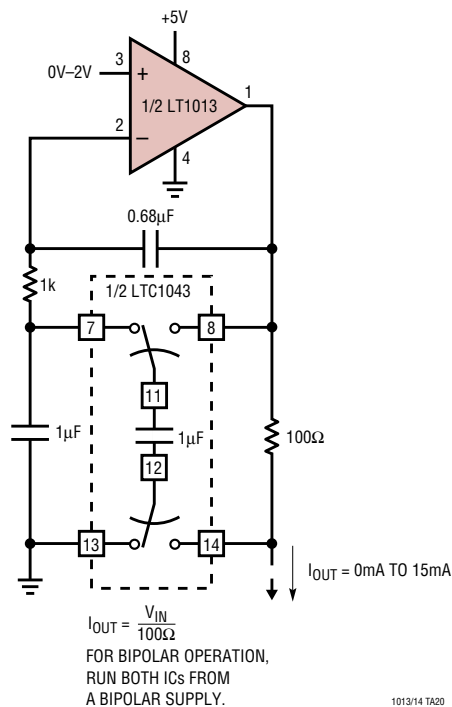


TYPICAL APPLICATIONS

Low Dropout Regulator for 6V Battery

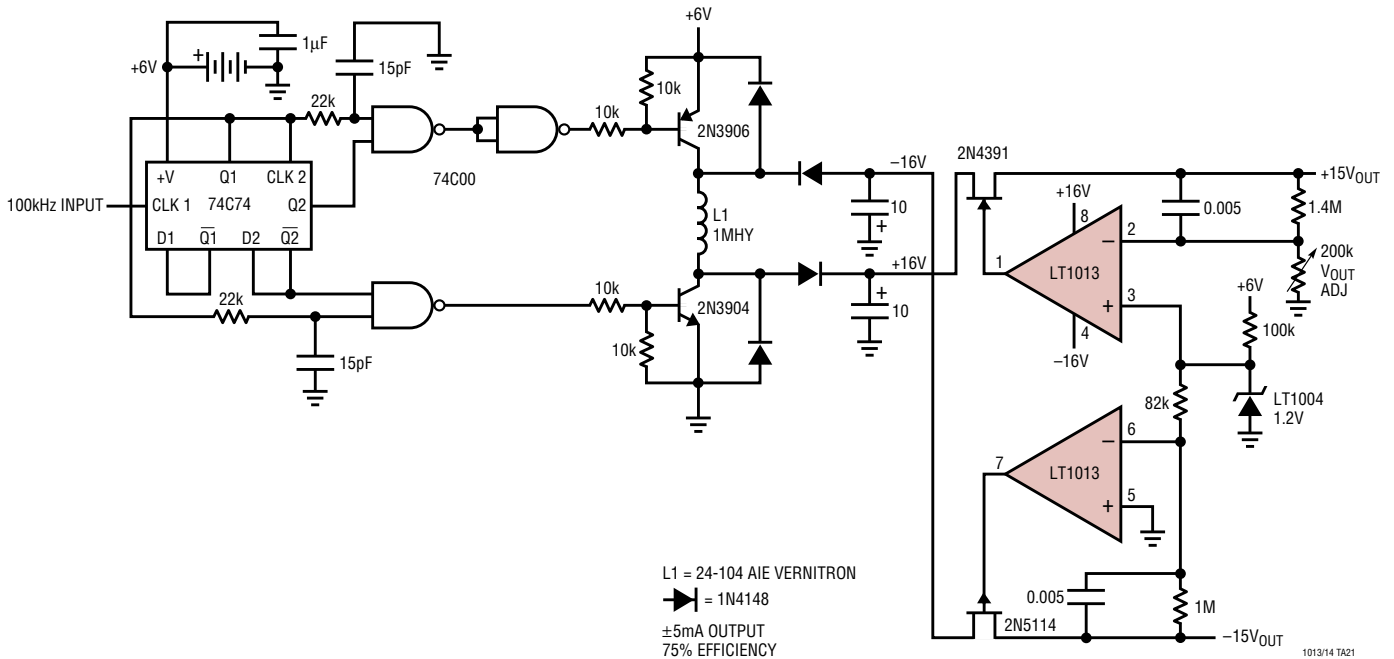


Voltage Controlled Current Source with Ground Referred Input and Output

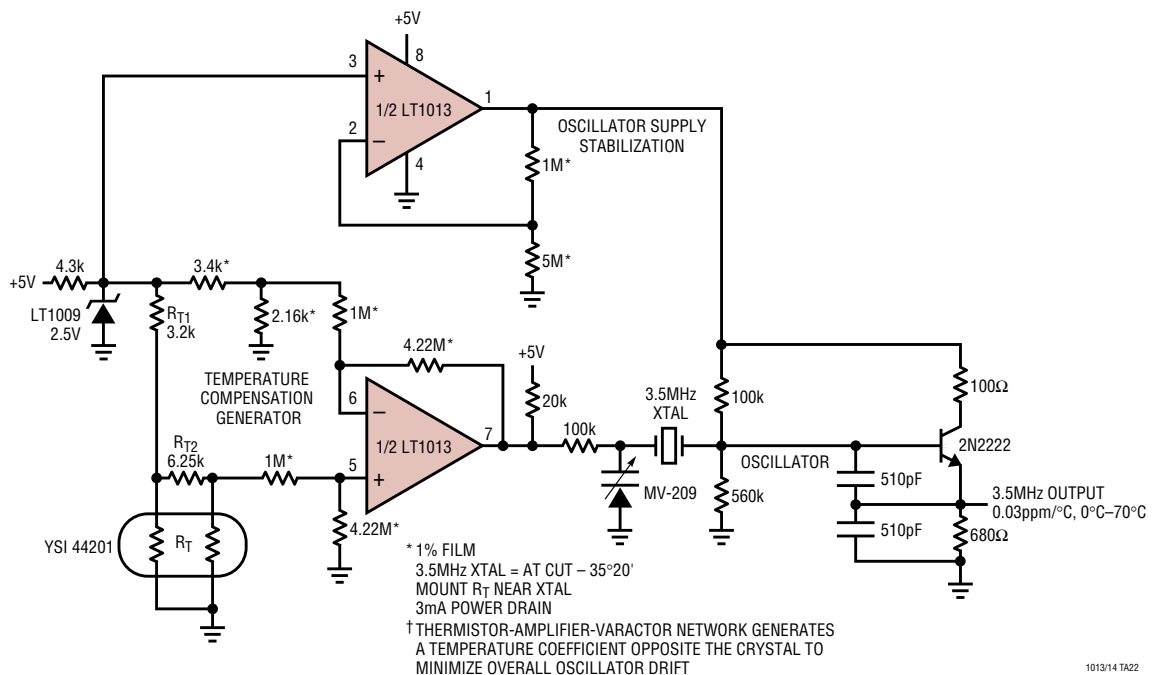


# TYPICAL APPLICATIONS

6V to ±15V Regulating Converter

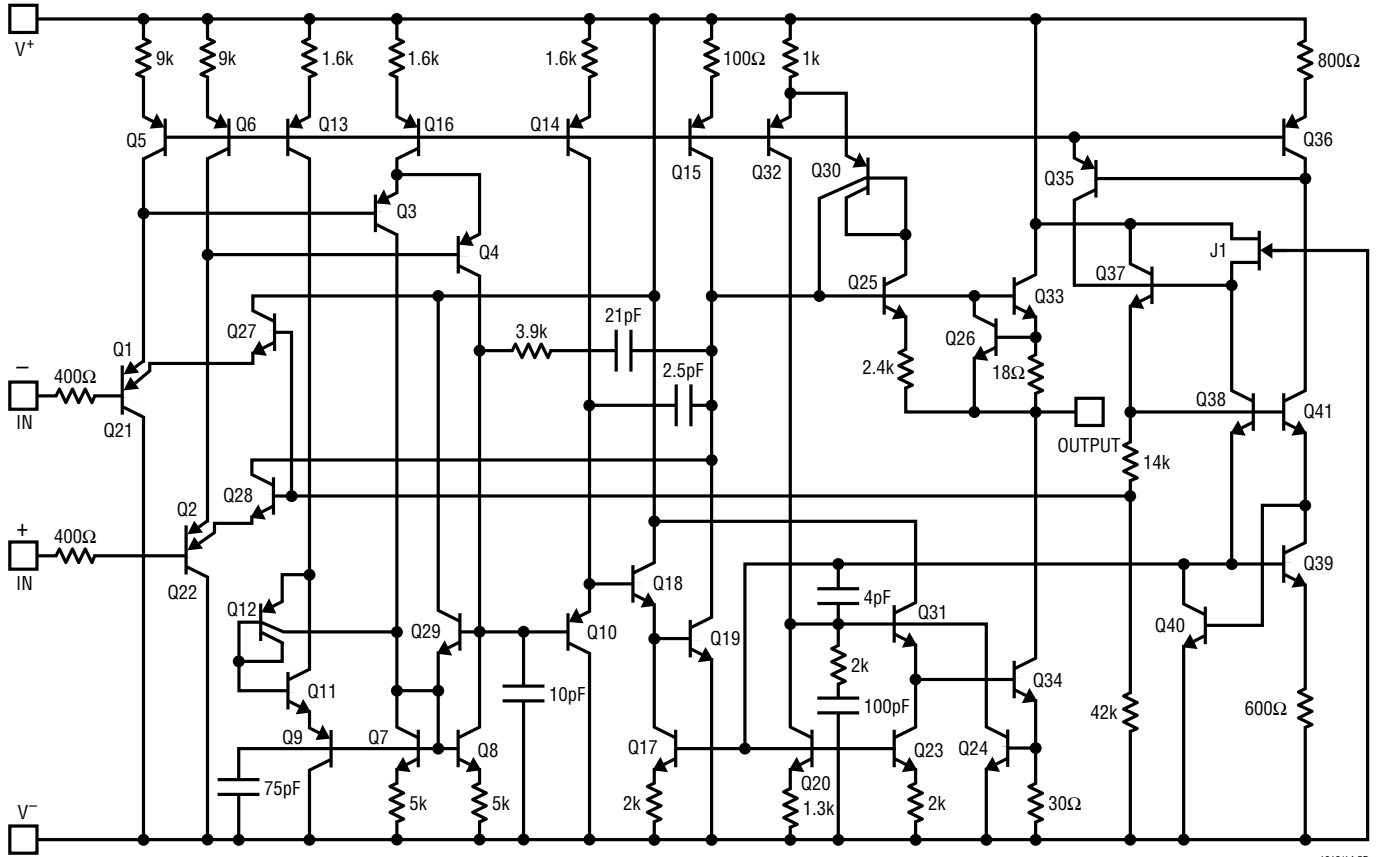


Low Power, 5V Driven, Temperature Compensated Crystal Oscillator (TXCO)<sup>†</sup>



**SCHEMATIC DIAGRAM**

1/2 LT1013, 1/4 LT1014

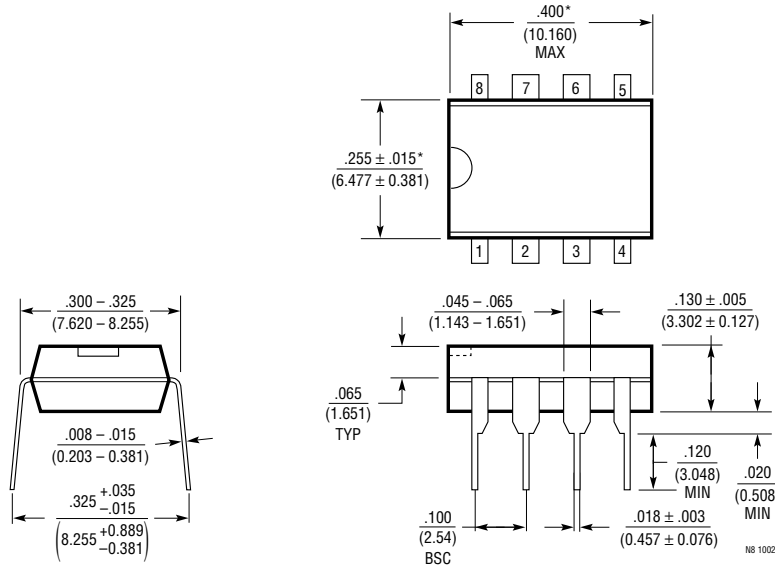


1013/14 SD



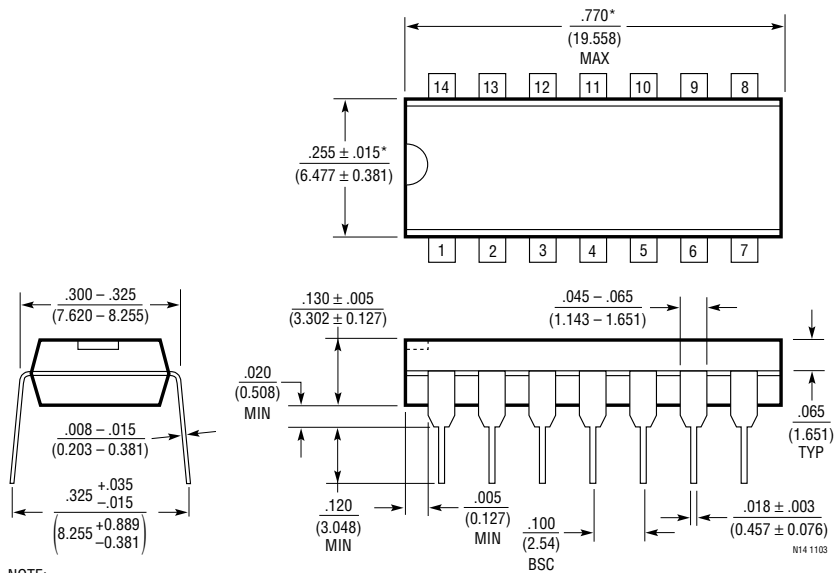
**PACKAGE DESCRIPTION**

**N8 Package**  
**8-Lead PDIP (Narrow .300 Inch)**  
 (Reference LTC DWG # 05-08-1510)



NOTE:  
 1. DIMENSIONS ARE  $\frac{\text{INCHES}}{\text{MILLIMETERS}}$   
 \*THESE DIMENSIONS DO NOT INCLUDE MOLD FLASH OR PROTRUSIONS.  
 MOLD FLASH OR PROTRUSIONS SHALL NOT EXCEED .010 INCH (0.254mm)

**N Package**  
**14-Lead PDIP (Narrow .300 Inch)**  
 (Reference LTC DWG # 05-08-1510)

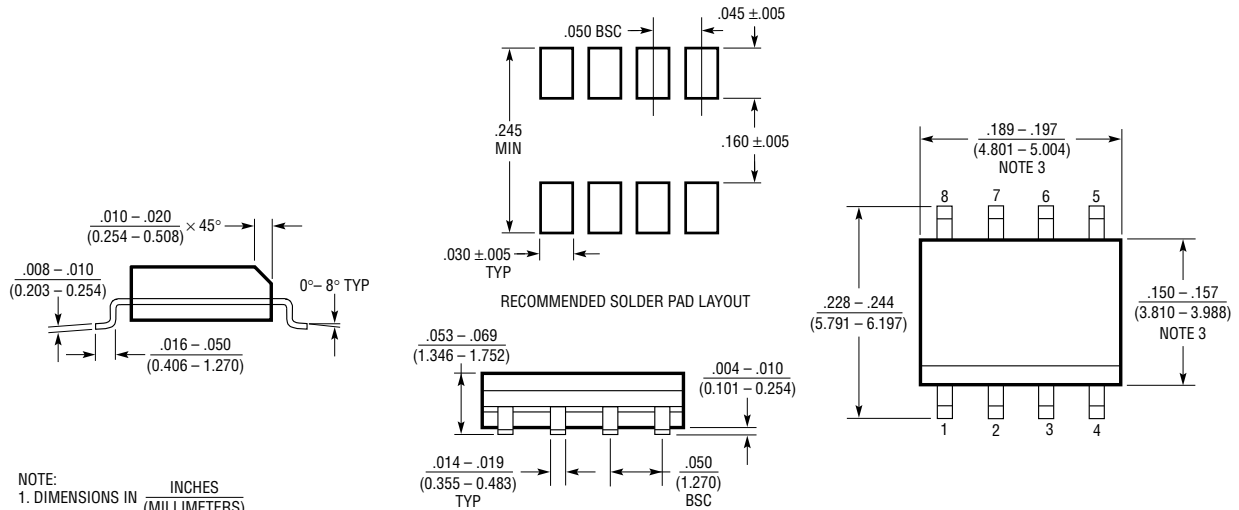


NOTE:  
 1. DIMENSIONS ARE  $\frac{\text{INCHES}}{\text{MILLIMETERS}}$   
 \*THESE DIMENSIONS DO NOT INCLUDE MOLD FLASH OR PROTRUSIONS.  
 MOLD FLASH OR PROTRUSIONS SHALL NOT EXCEED .010 INCH (0.254mm)



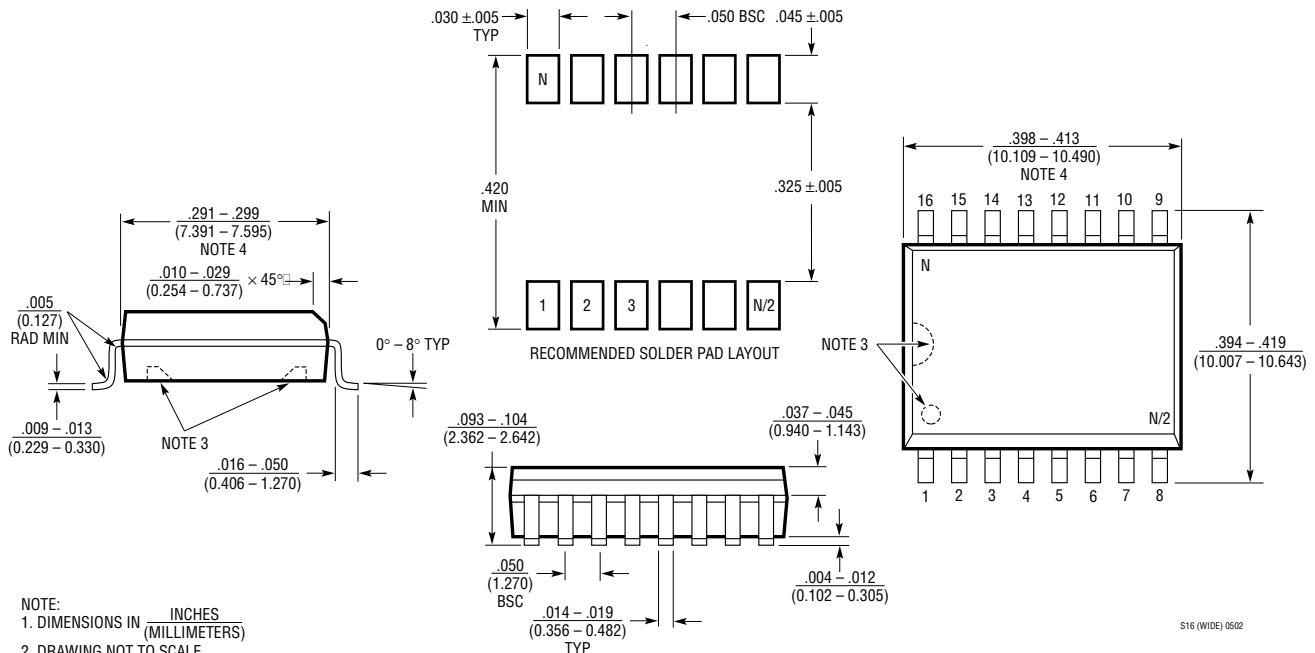
# PACKAGE DESCRIPTION

## S8 Package 8-Lead Plastic Small Outline (Narrow .150 Inch) (Reference LTC DWG # 05-08-1610)



S08 0303

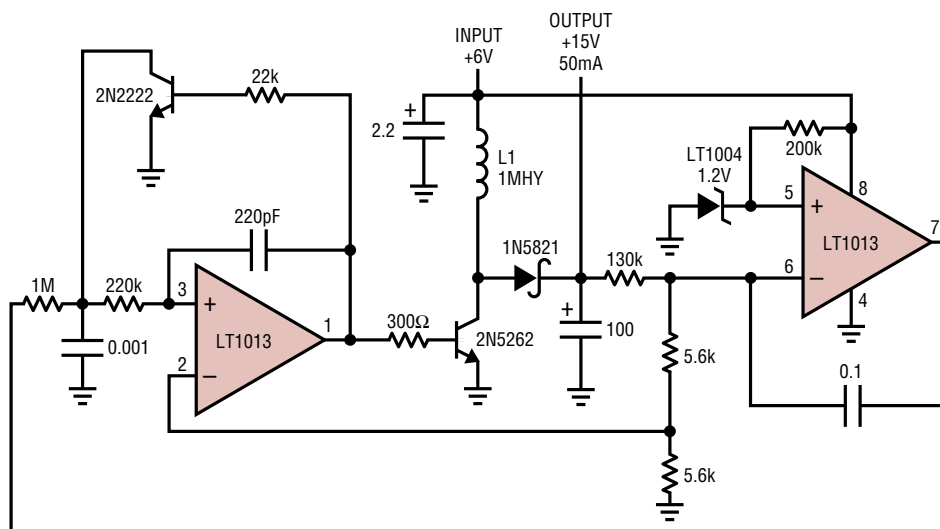
## SW Package 16-Lead Plastic Small Outline (Wide .300 Inch) (Reference LTC DWG # 05-08-1620)



S16 (WIDE) 0502

## TYPICAL APPLICATION

### Step-Up Switching Regulator for 6V Battery



LT = AIE-VERNITRON 24-104  
78% EFFICIENCY

1013/14 TA23

## RELATED PARTS

PART NUMBER	DESCRIPTION	COMMENTS
LT2078/LT2079	Dual/Quad 50μA Single Supply Precision Amplifier	50μA Max I <sub>S</sub> , 70μV Max V <sub>OS</sub>
LT2178/LT2179	Dual/Quad 17μA Single Supply Precision Amplifier	17μA Max I <sub>S</sub> , 70μV Max V <sub>OS</sub>