



SW12220E(12V22AH)



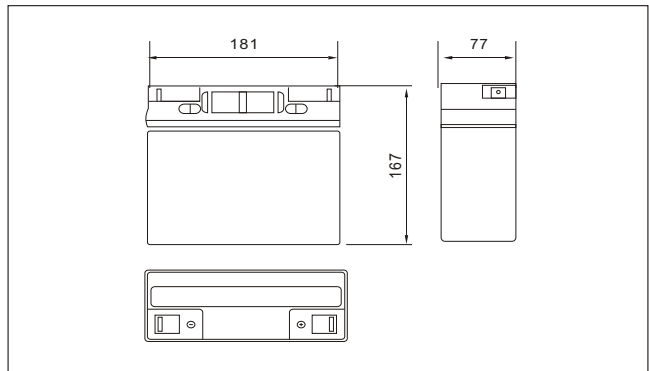
Specifications

Nominal Voltage		12V
Rated capacity (20 hour rate)		22 Ah
Dimensions	Total Height	167 mm (6.57 inches)
	Height	167 mm (6.57 inches)
	Length	181 mm (7.13 inches)
	Width	77 mm (3.03 inches)
Weight Approx		6.10 Kg (13.426 lbs)

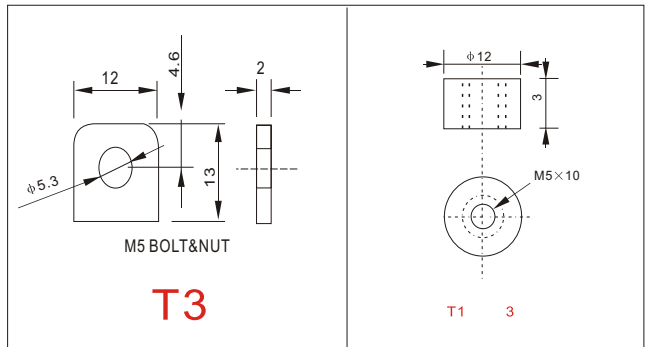
Characteristics

Capacity 25°C(77°F)	20 hour rate(1.10 A)	22.0 AH
	10 hour rate(2.02 A)	20.2 AH
	5 hour rate(3.74 A)	18.7 AH
	1 hour rate(13.2 A)	13.2 AH
Internal Resistance	Full charged Battery at 25°C(77°F)	9 mΩ
Capacity affected by Temperature (20hour rate)	40°C(104°F)	102%
	25°C(77°F)	100%
	0°C(32°F)	85%
	-15°C(5°F)	65%
Self-Discharge at 25°C(77°F)	Capacity after 3 month storage	91%
	Capacity after 6 month storage	82%
	Capacity after 12 month storage	64%
Terminal	T3 , T13	
Charge (constant Voltage)	Cycle	Initial Charging Current less than 8.8A Voltage 14.40-14.70V
	Float	Voltage 13.50-13.80V

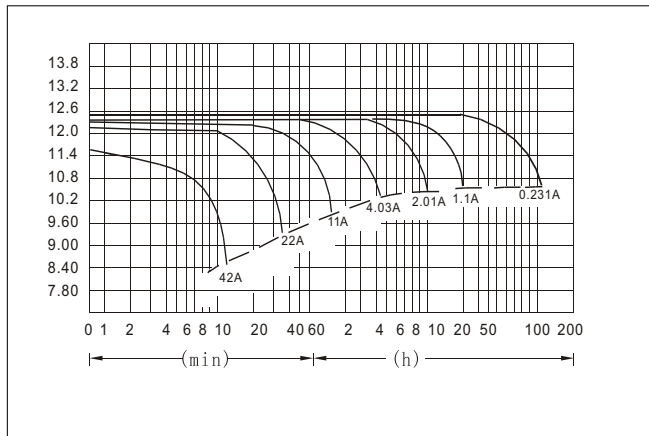
Outer dimensions (mm)



Terminal Type (mm)



Discharge Curves 25°C(77°F)



Constant Current(Amp) and Constant Power(Watt) Discharge Table at 25°C(77°F)

Time		10min	30min	1h	3h	4h	5h	8h	10h	20h	50h	100h
9.60V	A	42	23	12	5.2	4.03	3.32	2.34	2.11	1.14	0.48	0.24
	W	472	246	140	60	47	38	27	24	13.2	5.7	2.9
10.20V	A	41	22	11.4	5.0	3.93	3.26	2.29	2.06	1.11	0.46	0.238
	W	454	244	131	58	45	38	27	24	12.9	5.5	2.8
10.50V	A	39	21.3	11	4.9	3.86	3.22	2.27	2.01	1.10	0.45	0.231
	W	440	230	127	57	45	37	26	24	12.7	5.4	2.8
10.80V	A	37	20.6	11	4.8	3.8	3.14	2.21	1.96	1.09	0.44	0.229
	W	423	221	122	56	44	37	26	23	12.7	5.3	2.7
11.10V	A	34	19	10	4.6	3.7	3.06	2.15	1.91	1.03	0.43	0.221
	W	415	219	119	55	44	36	26	23	12.3	5.2	2.6