

**P/N:VP2029A-V DATA SHEET****Feature**

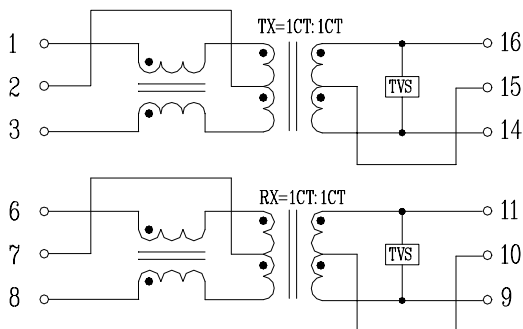
- IEEE802.3AF/ANSI X3.263 compliant performance.
- 350mA current capability.
- Designed to for IP phone or switch applications.
- Compact footprint.
- Operating temperature range: 0°C to +70°C.
- Storage temperature range: -25°C to +125°C.

Electrical Specifications @ 25°C

Part Number	Turns Ratio (±5%)		Cross talk (dB Min)			HI-POT (Vrms)
	TX	RX	30MHz	60MHz	100MHz	
VP2029A-V	1CT:1CT	1CT:1CT	-45	-40	-35	1500

Continue

Part Number	Insertion Loss (dB Max)	Return Loss (dB Min)				DCMR (dB Min)		
	1-100MHz	1-30MHz	40MHz	50MHz	60-80MHz	30MHz	60MHz	100MHz
VP2029A-V	-1.2	-16	-14	-13.5	-12	-43	-37	-33

Schematic**Mechanical**