

**PLEASE CHECK WWW.MOLEX.COM FOR LATEST PART INFORMATION**

**Part Number:** [0314022400](#)  
**Status:** **Active**  
**Overview:** [mx64 sealed single row connectors](#)  
**Description:** 2.54mm (.100") MX64™ Sealed Single Row Crimp Housing, GET Terminal, Green, 2 Circuits, Mating Part: Keying D, Lock None

**Documents:**

[3D Model](#) [RoHS Certificate of Compliance \(PDF\)](#)  
[Drawing \(PDF\)](#)

**General**

Product Family Crimp Housings  
 Series [31402](#)  
 More Detailed Tech Information <http://ewcap.uscarteams.org>  
 Overview [mx64 sealed single row connectors](#)  
 Product Name MX64™, USCAR

**Physical**

Circuits (maximum) 2  
 Color - Resin Black, Green, Black  
 Gender Female  
 Glow-Wire Compliant No  
 Keying to Mating Part Yes  
 Lock to Mating Part None  
 Material - Resin Modified Polystyrene Alloy, Polyester  
 Number of Rows 1  
 Packaging Type Bag  
 Panel Mount No  
 Pitch - Mating Interface (in) 0.100 In  
 Pitch - Mating Interface (mm) 2.54 mm  
 Temperature Range - Operating -40°C to +125°C

**Electrical**

Current - Maximum per Contact 9A

**Material Info**

**Reference - Drawing Numbers**

Packaging Specification PK-31300-256  
 Sales Drawing SD-31402-211



**EU RoHS**

**ELV and RoHS Compliant**  
**REACH SVHC**  
 Not Reviewed  
**Halogen-Free**  
**Status**  
**Not Reviewed**

**China RoHS**



**Need more information on product environmental compliance?**

Email [productcompliance@molex.com](mailto:productcompliance@molex.com)  
 For a multiple part number RoHS Certificate of Compliance, [click here](#)

Please visit the [Contact Us](#) section for any non-product compliance questions.

**Search Parts in this Series**

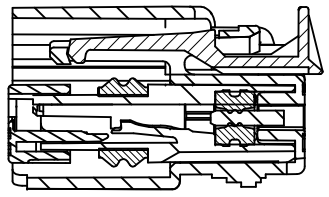
[31402Series](#)

**Mates With**

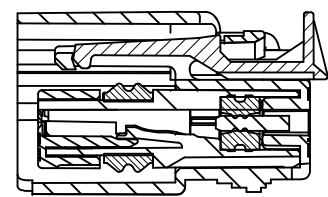
Sensors, Other USCAR Interfaces

**Use With**

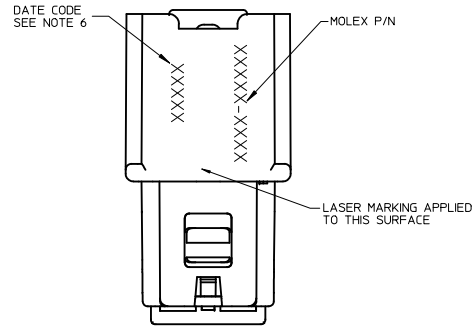
[34230](#) Molex GET Terminals



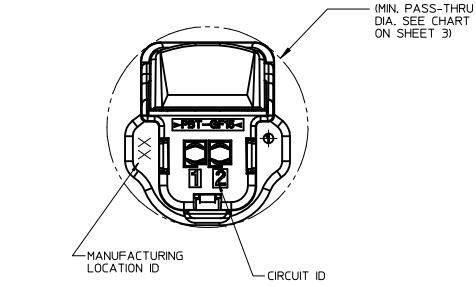
**SECTION A-A**  
TPA SHOWN IN AS-SHIPPED  
PRE-LOCKED POSITION  
SEE NOTE 3



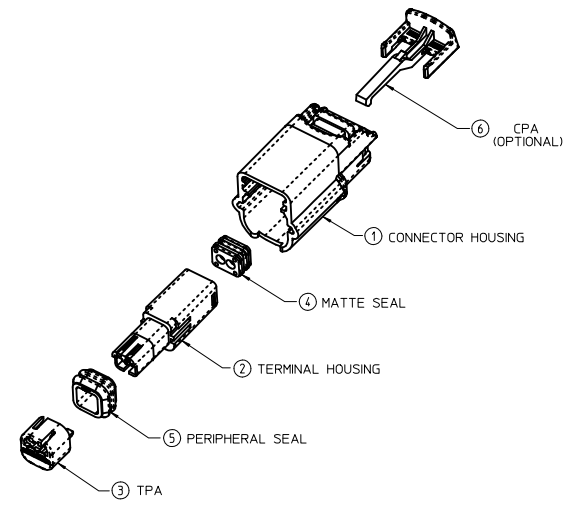
**SECTION A-A**  
TPA SHOWN IN FINAL  
LOCKED POSITION



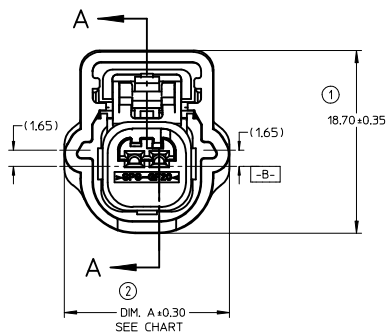
**BOTTOM VIEW**



**BACK VIEW**

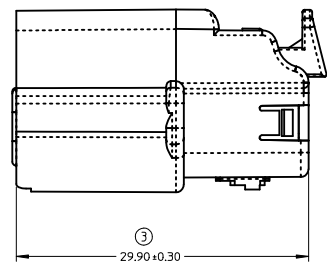


ITEM	DESCRIPTION	COLOR
1	CONNECTOR HOUSING	SEE CHART
2	TERMINAL HOUSING	BLACK
3	TPA	NATURAL
4	MATTE SEAL	SEE CHART
5	PERIPHERAL SEAL	SEE CHART
6	CPA - OPTIONAL	RED

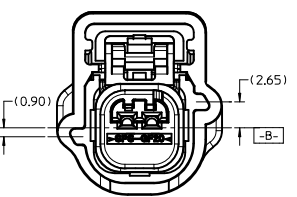


**FRONT VIEW**

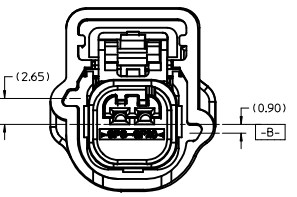
**POLARIZATION A**



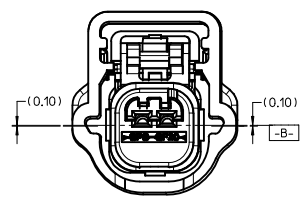
**RIGHT SIDE VIEW**



**POLARIZATION B**



**POLARIZATION C**



**POLARIZATION D**

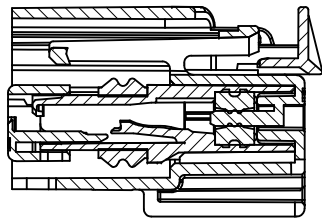
## CONNECTOR ASSEMBLY WITHOUT CLIPSLOT

- PART NUMBER LEGEND**  
CONNECTOR ASSEMBLY
- 3140X-XXXX
  - SEAL PLUG CONFIGURATION (AS MOLDED)  
0 - ALL CIRCUITS OPEN  
1-9 SEE CHART
  - CPA OPTION  
0 OR 2 - WITHOUT CPA  
1 OR 3 - WITH CPA  
4 - WITHOUT CPA, WITH CLIPSLOT  
5 - WITH CPA, WITH CLIPSLOT
  - USCAR POLARIZATION OPTION  
1 - POLARIZATION OPTION A  
2 - POLARIZATION OPTION B  
3 - POLARIZATION OPTION C  
4 - POLARIZATION OPTION D  
5 - POLARIZATION OPTION B, BLACK  
6 - POLARIZATION OPTION C, BLACK  
7 - POLARIZATION OPTION D, BLACK
  - CIRCUIT SIZE 2, 3, 4, 5, 6 & 8
  - TERMINAL OPTION  
2 - TYCO/MOLEX GET 0.64  
3 - MOLEX 0.64  
4 - YAZAKI KAIZAN 0.64

**NOTES:**

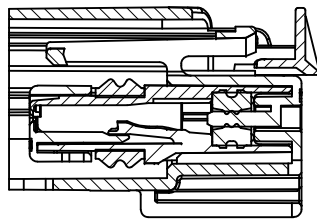
- DESIGNED TO MATE WITH DEVICE CONNECTION AS SPECIFIED IN USCAR INTERFACE DRAWINGS FOR SINGLE ROW SEALED 0.64 SYSTEMS. SEE WWW.USCARTEAMS.ORG.
- ASSEMBLY SHIPPED WITH TPA IN PRE-LOCKED POSITION (SEE SECTION A-A). UPON FULL TERMINAL ASSEMBLY, TPA MUST BE SEATED TO THE FINAL LOCKED POSITION.
- TPA'S MAY BECOME SEATED DURING TRANSIT. IF THIS OCCURS, TPA'S SHOULD BE MOVED TO THE PRE-LOCKED POSITION PRIOR TO FEMALE TERMINAL INSTALLATION. REFERENCE PRODUCT SPECIFICATION: PS-34646-001
- SYSTEM TO BE USED WITH WIRE WITHIN RANGE OF 22 AWG TO 18 AWG. WITH OUTSIDE WIRE DIAMETERS RANGING FROM 150MM TO 2.06MM.
- POLARIZATION FEATURE EFFECTIVENESS PER USCAR-2 PARAGRAPH 5.4.4 IS REDUCED WHEN TESTING ALL POLARIZATION OPTIONS: 100N MIN.
- DATE CODE: FIRST TWO DIGITS IS THE CALENDAR YEAR (EXAMPLE: 04 = 2004). THIRD THROUGH 5TH DIGIT DAY # OF THE CALENDAR YEAR (EXAMPLE: FEB. 3RD = '034').
- SEE SHEET #2 FOR CONNECTOR ASSEMBLY WITH CLIP SLOT.
- FOR CLIPSLOT CONNECTOR: CLIP OVERHANGS CONNECTOR, PLEASE CHECK APPLICATION (COULD CAUSE WIRE CHAFING)-SHORTER CLIP IS A RECOMMENDATION.

EC NO: UAU2010-1604 2010/04/01 DRAWNS:VZYL CHKD:RCARLSON 2004/09/28 APPR:VKOSHY 2010/04/28	QUALITY SYMBOLS ▽=0 ▽=0	GENERAL TOLERANCES (UNLESS SPECIFIED)		DIMENSION STYLE <b>MM ONLY</b>	SCALE <b>4:1</b>	DESIGN UNITS <b>METRIC</b>	THIRD ANGLE PROJECTION
		4 PLACES ±.--- ±.--- 3 PLACES ±.--- ±.--- 2 PLACES ±0.13 ±.--- 1 PLACE ±0.3 ±.---	INCH ±.--- ±.--- ±.--- ±.---	DRAWN BY RCARLSON DATE 2003/09/25	CHECKED BY RCARLSON DATE 2004/09/28	APPROVED BY VKOSHY DATE 2010/03/25	TITLE <b>0.64 USCAR CONNECTOR SEALED SINGLE ROW ASSEMBLY</b>
DRAFT WHERE APPLICABLE MUST REMAIN WITHIN DIMENSIONS		MATERIAL NO. <b>SEE CHART</b>		DOCUMENT NO. <b>SD-31402-211</b>		MOLEX INCORPORATED	
		SIZE <b>D</b>		THIS DRAWING CONTAINS INFORMATION THAT IS PROPRIETARY TO MOLEX INCORPORATED AND SHOULD NOT BE USED WITHOUT WRITTEN PERMISSION		SHEET NO. <b>1 OF 5</b>	



SECTION C-C

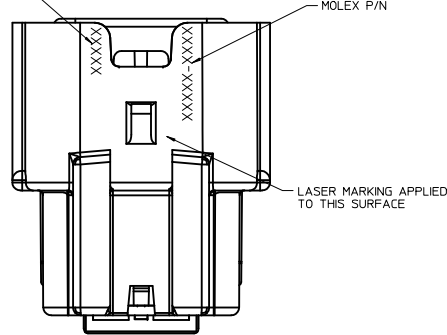
TPA SHOWN IN AS-SHIPPED  
PRE-LOCKED POSITION  
SEE NOTE 3



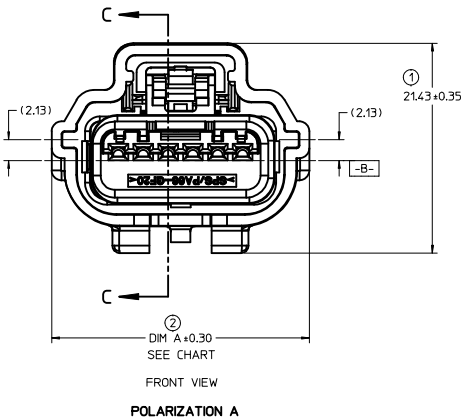
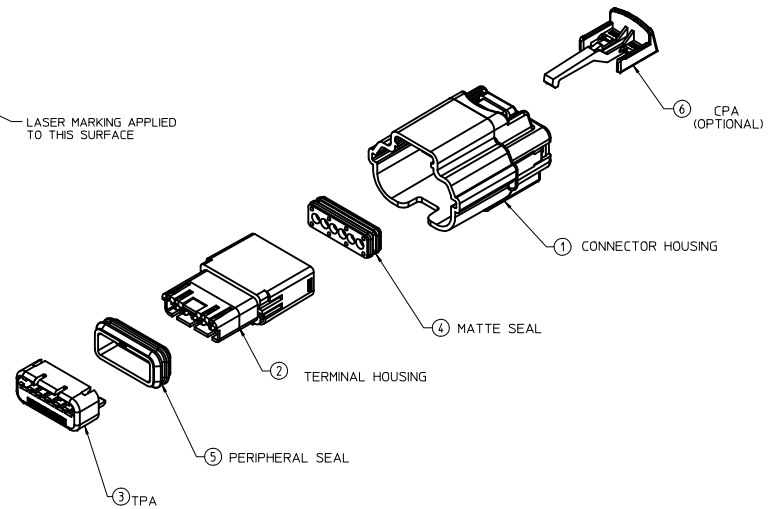
SECTION C-C

TPA SHOWN IN FINAL  
LOCKED POSITION

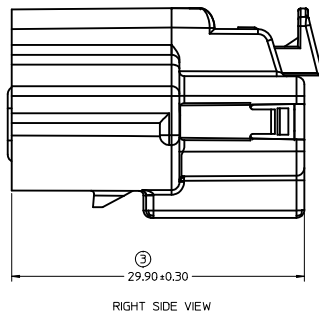
DATE CODE  
SEE NOTE 6



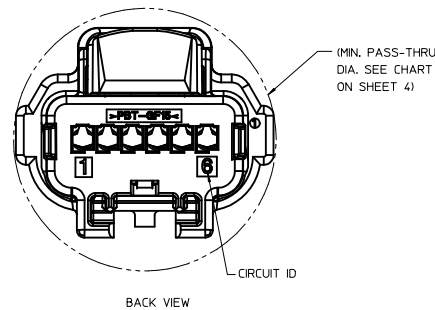
BOTTOM VIEW



FRONT VIEW  
POLARIZATION A



RIGHT SIDE VIEW



BACK VIEW

## CONNECTOR ASSEMBLY WITH CLIPSLOT

<b>ENTER DESCRIPTION</b> IEC NO. UAU2010-1604 DRAWN BY: DRWNSYRZYL 2010/04/07 CHECKED BY: CHYKRCARLSON 2004/09/28 APPR: VKOSHY 2010/04/28	<b>QUALITY SYMBOLS</b> ∇=0 ∇=0 ∇=0	<b>GENERAL TOLERANCES (UNLESS SPECIFIED)</b>		<b>DIMENSION STYLE</b> MM ONLY	<b>SCALE</b> 4:1	<b>DESIGN UNITS</b> METRIC	THIRD ANGLE PROJECTION		
		4 PLACES ± mm ± INCH	3 PLACES ± --- ± ---	DRAWN BY: RCARLSON DATE: 2003/09/25	<b>TITLE</b> 0.64 USCAR CONNECTOR SEALED SINGLE ROW ASSEMBLY				
		2 PLACES ± 0.13 ± ---	1 PLACE ± 0.3 ± ---	CHECKED BY: RCARLSON DATE: 2004/09/28	<b>MOLEX INCORPORATED</b>				
		ANGULAR ± 3 °		APPROVED BY: VKOSHY DATE: 2010/03/25	<b>MATERIAL NO.</b> SEE CHART	<b>DOCUMENT NO.</b> SD-31402-211	<b>SHEET NO.</b> 2 OF 5		
DRAFT WHERE APPLICABLE MUST REMAIN WITHIN DIMENSIONS		THIS DRAWING CONTAINS INFORMATION THAT IS PROPRIETARY TO MOLEX INCORPORATED AND SHOULD NOT BE USED WITHOUT WRITTEN PERMISSION							

PART NUMBER WITHOUT CPA	PART NUMBER WITH CPA	CLIPSLOT OPTION	ROW/CIRCUITS	KEY*	SEAL COLOR	CONNECTOR COLOR	WIDTH DIM (A)	MIN. PASS THRU DIA.	FEMALE TERMINAL SUPPLIER	USCAR FOOTPRINT DRAWING NO.	STATUS							
31402-2100	31402-2100	NO	1 X 2	A	BLUE	BLACK	16.88	(20.80)	TYCO OR MOLEX GET 0.64	064-S-002-1-202	TOOLED BUT NOT VALIDATED							
31402-2200	31402-2200			B		GRAY												
31402-2300	31402-2300			C		BROWN												
31402-2400	31402-2400			D		GREEN												
31402-2500	31402-2500			B		BLACK												
31402-2600	31402-2600			C		BLACK												
31402-2700	31402-2700			D		BLACK												
31403-2100	31403-2100			A		BLACK												
31403-2200	31403-2200			B		GRAY												
31403-2300	31403-2300			C		BROWN												
31403-2400	31403-2400			D		GREEN												
31403-2500	31403-2500			B		BLACK												
31403-2600	31403-2600			C		BLACK												
31403-2700	31403-2700			D		BLACK												
31404-2100	31404-2100			A		BLACK												
31404-2200	31404-2200			B		GRAY												
31404-2300	31404-2300			C		BROWN												
31404-2400	31404-2400			D		GREEN												
31404-2500	31404-2500			B		BLACK												
31404-2600	31404-2600			C		BLACK												
31404-2700	31404-2700			D		BLACK												
31402-3100	31402-3100			NO		1 X 3			A			RUST RED	BLACK	18.70	(22.00)	TYCO OR MOLEX GET 0.64	064-S-003-1-201	
31402-3200	31402-3200								B				GRAY					
31402-3300	31402-3300								C				BROWN					
31402-3400	31402-3400	D	GREEN															
31402-3500	31402-3500	B	BLACK															
31402-3600	31402-3600	C	BLACK															
31402-3700	31402-3700	D	BLACK															
31403-3100	31403-3100	A	BLACK															
31403-3200	31403-3200	B	GRAY															
31403-3300	31403-3300	C	BROWN															
31403-3400	31403-3400	D	GREEN															
31403-3500	31403-3500	B	BLACK															
31403-3600	31403-3600	C	BLACK															
31403-3700	31403-3700	D	BLACK															
31404-3100	31404-3100	A	BLACK															
31404-3200	31404-3200	B	GRAY															
31404-3300	31404-3300	C	BROWN															
31404-3400	31404-3400	D	GREEN															
31404-3500	31404-3500	B	BLACK															
31404-3600	31404-3600	C	BLACK															
31404-3700	31404-3700	D	BLACK															
31402-4100	31402-4100	NO	1 X 4		A		BLUE	BLACK	21.25	(22.34)	TYCO OR MOLEX GET 0.64		064-S-004-1-202					
31402-4200	31402-4200				B			GRAY										
31402-4300	31402-4300				C			BROWN										
31402-4400	31402-4400			D	GREEN													
31402-4500	31402-4500			B	BLACK													
31402-4600	31402-4600			C	BLACK													
31402-4700	31402-4700			D	BLACK													
31403-4100	31403-4100			A	BLACK													
31403-4200	31403-4200			B	GRAY													
31403-4300	31403-4300			C	BROWN													
31403-4400	31403-4400			D	GREEN													
31403-4500	31403-4500			B	BLACK													
31403-4600	31403-4600			C	BLACK													
31403-4700	31403-4700			D	BLACK													
31404-4100	31404-4100			A	BLACK													
31404-4200	31404-4200			B	GRAY													
31404-4300	31404-4300			C	BROWN													
31404-4400	31404-4400			D	GREEN													
31404-4500	31404-4500			B	BLACK													
31404-4600	31404-4600			C	BLACK													
31404-4700	31404-4700			D	BLACK													

EC NO: UAU2010-1604 DRAWN BY: CHYKORCARLSON CHECKED BY: CHYKORCARLSON APPR: VKOSHY 2010/04/28 2010/04/28 2010/04/28	QUALITY SYMBOLS	GENERAL TOLERANCES (UNLESS SPECIFIED)	DIMENSION STYLE	SCALE	DESIGN UNITS	THIRD ANGLE PROJECTION	
	▽=0 ▽=0	mm    INCH 4 PLACES ± --- ± --- 3 PLACES ± --- ± --- 2 PLACES ± 0.13 ± --- 1 PLACE ± 0.3 ± --- ANGULAR ± 3 °	MM ONLY	4:1	METRIC	DRAWN BY: RCARLSON    DATE: 2003/09/25 CHECKED BY: RCARLSON    DATE: 2004/09/28 APPROVED BY: VKOSHY    DATE: 2010/03/25	
	DRAFT WHERE APPLICABLE MUST REMAIN WITHIN DIMENSIONS		SEE CHART		0.64 USCAR CONNECTOR SEALED SINGLE ROW ASSEMBLY MOLEX INCORPORATED		MATERIAL NO. SD-31402-211 DOCUMENT NO. SD-31402-211 SHEET NO. 3 OF 5
	THIS DRAWING CONTAINS INFORMATION THAT IS PROPRIETARY TO MOLEX INCORPORATED AND SHOULD NOT BE USED WITHOUT WRITTEN PERMISSION						

PART NUMBER WITHOUT CPA	PART NUMBER WITH CPA	CLIP/SLOT OPTION	ROW/ CIRCUITS	KEY*	SEAL COLOR	CONNECTOR COLOR	WIDTH DIM (A)	MIN. PASS THRU DIA.	FEMALE TERMINAL SUPPLIER	USCAR FOOTPRINT DRAWING NO.	STATUS
31402-5100	31402-5110	NO	1 X 5	A	RUST RED	BLACK	23.80	(24.28)	TYCO OR MOLEX GET 0.64	064-S-005-1-Z02	
31402-5200	31402-5210			B		GRAY					
31402-5300	31402-5310			C		BROWN					
31402-5400	31402-5410			D		GREEN					
31402-5500	31402-5510			B		BLACK					
31402-5600	31402-5610			C		BLACK					
31402-5700	31402-5710			D		BLACK					
31403-5100	31403-5110			A		BLACK					
31403-5200	31403-5210			B		GRAY					
31403-5300	31403-5310			C		BROWN					
31403-5400	31403-5410			D		GREEN					
31403-5500	31403-5510			B		BLACK					
31403-5600	31403-5610			C		BLACK					
31403-5700	31403-5710			D		BLACK					
31404-5100	31404-5110			A		BLACK					
31404-5200	31404-5210			B		GRAY					
31404-5300	31404-5310			C		BROWN					
31404-5400	31404-5410			D		GREEN					
31404-5500	31404-5510			B		BLACK					
31404-5600	31404-5610			C		BLACK					
31404-5700	31404-5710	D	BLACK								
31402-6100	31402-6110	NO	1 X 6	A	BLUE	BLACK	26.33	(26.82)	TYCO OR MOLEX GET 0.64	064-S-006-1-Z02	
31402-6200	31402-6210			B		GRAY					
31402-6300	31402-6310			C		BROWN					
31402-6400	31402-6410			D		GREEN					
31402-6500	31402-6510			B		BLACK					
31402-6600	31402-6610			C		BLACK					
31402-6700	31402-6710			D		BLACK					
31403-6100	31403-6110			A		BLACK					
31403-6200	31403-6210			B		GRAY					
31403-6300	31403-6310			C		BROWN					
31403-6400	31403-6410			D		GREEN					
31403-6500	31403-6510			B		BLACK					
31403-6600	31403-6610			C		BLACK					
31403-6700	31403-6710			D		BLACK					
31404-6100	31404-6110			A		BLACK					
31404-6200	31404-6210			B		GRAY					
31404-6300	31404-6310			C		BROWN					
31404-6400	31404-6410			D		GREEN					
31404-6500	31404-6510			B		BLACK					
31404-6600	31404-6610			C		BLACK					
31404-6700	31404-6710	D	BLACK								
31404-6100	31404-6110	A	BLACK								
31404-6200	31404-6210	B	GRAY								
31404-6300	31404-6310	C	BROWN								
31404-6400	31404-6410	D	GREEN								
31404-6500	31404-6510	B	BLACK								
31404-6600	31404-6610	C	BLACK								
31404-6700	31404-6710	D	BLACK								

EC NO: UAU2010-1604 DRAWN BY: DRWNSVERZYL 2010/04/07 CHECKED BY: CHYKRCARLSON 2004/09/28 APPR: VKOSHY 2010/04/28 REV:	QUALITY SYMBOLS	GENERAL TOLERANCES (UNLESS SPECIFIED)	DIMENSION STYLE	SCALE	DESIGN UNITS	THIRD ANGLE PROJECTION
	▽=0 ▽=0	mm INCH 4 PLACES ± --- ± --- 3 PLACES ± --- ± --- 2 PLACES ± 0.13 ± --- 1 PLACE ± 0.3 ± --- ANGULAR ± 3 °	MM ONLY DATE RCARLSON 2003/09/25 DATE RCARLSON 2004/09/28 DATE VKOSHY 2010/03/25	4:1	METRIC	0.64 USCAR CONNECTOR SEALED SINGLE ROW ASSEMBLY
	DRAFT WHERE APPLICABLE MUST REMAIN WITHIN DIMENSIONS	MATERIAL NO. SEE CHART	MOLEX INCORPORATED MOLEX INCORPORATED	SHEET NO. 4 OF 5		
	THIS DRAWING CONTAINS INFORMATION THAT IS PROPRIETARY TO MOLEX INCORPORATED AND SHOULD NOT BE USED WITHOUT WRITTEN PERMISSION					

PART NUMBER WITHOUT CPA	PART NUMBER WITH CPA	CLIPSLOT OPTION	ROW/ CIRCUITS	KEY*	SEAL COLOR	CONNECTOR COLOR	WIDTH DIM (A)	MIN. PASS THRU DIA.	FEMALE TERMINAL SUPPLIER	USCAR FOOTPRINT DRAWING NO.	STATUS							
31402-8100	31402-8110	NO	1 X 8	A	BLUE	BLACK	3125	(31.90)	TYCO OR MOLEX GET 0.64	064-S-008-1-Z02								
31402-8200	31402-8210			B		GRAY												
31402-8300	31402-8310			C		BROWN												
31402-8400	31402-8410			D		GREEN												
31402-8500	31402-8510			B		BLACK												
31402-8600	31402-8610			C		BLACK												
31402-8700	31402-8710			D		BLACK												
31403-8100	31403-8110			A		BLACK												
31403-8200	31403-8210			B		GRAY												
31403-8300	31403-8310			C		BROWN												
31403-8400	31403-8410			D		GREEN												
31403-8500	31403-8510			B		BLACK												
31403-8600	31403-8610			C		BLACK												
31403-8700	31403-8710			D		BLACK												
31404-8100	31404-8110			A		BLACK												
31404-8200	31404-8210			B		GRAY												
31404-8300	31404-8310			C		BROWN												
31404-8400	31404-8410			D		GREEN												
31404-8500	31404-8510			B		BLACK												
31404-8600	31404-8610			C		BLACK												
31404-8700	31404-8710			D		BLACK												
																MOLEX 0.64		
																YAZAKI KAIZEN 0.64		

ADDITIONAL CAVITY PLUG CONFIGURATIONS:

CIRCUIT SIZE	FEMALE TERMINAL	MOLEX P/N WITH CPA	MOLEX P/N WITHOUT CPA	CLIPSLOT OPTION	COLOR	CIRCUIT NUMBER: '0' INDICATED PLUG LOCATION						TOTAL CIRCUITS PLUGGED	STATUS
						1	2	3	4	5	6		
6	TYCO/MOLEX GET	31402-6110	31402-6100	NO	BLACK							0	OK TO TOOL
		31402-6111	31402-6101	NO	BLACK	0	0	0	0	0	0	6	
		31402-6112	31402-6102	NO	BLACK	0	0					2	
		31402-6113	31402-6103	NO	BLACK		0					1	
		31402-6114	31402-6104	NO	BLACK	0	0	0	0			4	
		31402-6115	31402-6105	NO	BLACK					0	0	3	
		31402-6150	31402-6140	YES	BLACK							0	
	MOLEX 0.64	31403-6110	31403-6100	NO	BLACK							0	
		31403-6111	31403-6101	NO	BLACK	0	0	0	0	0	0	6	
		31403-6112	31403-6102	NO	BLACK			0				1	
	YAZAKI KAIZEN	31404-6110	31404-6100	NO	BLACK							0	
		31404-6111	31404-6101	NO	BLACK	0	0	0	0	0	0	6	
		31404-6112	31404-6102	NO	BLACK	0		0				2	
		31404-6113	31404-6103	NO	BLACK	0					0	2	
		31404-6116	31404-6106	NO	BLACK						0	1	
		31404-6117	31404-6107	NO	BLACK	0		0				3	
		31404-6118	31404-6108	NO	BLACK	0						1	
		31404-6119	31404-6109	NO	BLACK				0	0		3	
		31404-6132	31404-6122	NO	BROWN				0			1	

<b>ENTER DESCRIPTION</b> IEC NO. UAU2010-1604 DRAWN BY: CHYDRCARLSON CHECKED BY: CHYDRCARLSON APPR: VKOSHY DATE: 2010/04/28	<b>QUALITY SYMBOLS</b> ∇=0 ∇=0 ∇=0	GENERAL TOLERANCES (UNLESS SPECIFIED) mm      INCH		DIMENSION STYLE <b>MM ONLY</b>	SCALE 4:1	DESIGN UNITS METRIC	THIRD ANGLE PROJECTION	
		4 PLACES ± 0.13      ± 0.005 3 PLACES ± 0.25      ± 0.010 2 PLACES ± 0.50      ± 0.020 1 PLACE ± 1.00      ± 0.050		DRAWN BY: RCARLSON      DATE: 2003/09/25 CHECKED BY: RCARLSON      DATE: 2004/09/28 APPROVED BY: VKOSHY      DATE: 2010/03/25		TITLE <b>0.64 USCAR CONNECTOR SEALED SINGLE ROW ASSEMBLY</b>		
		ANGULAR ± 3°		MATERIAL NO. <b>SEE CHART</b>		DOCUMENT NO. <b>SD-31402-211</b>		
		DRAFT WHERE APPLICABLE MUST REMAIN WITHIN DIMENSIONS		SIZE D		SHEET NO. 5 OF 5		