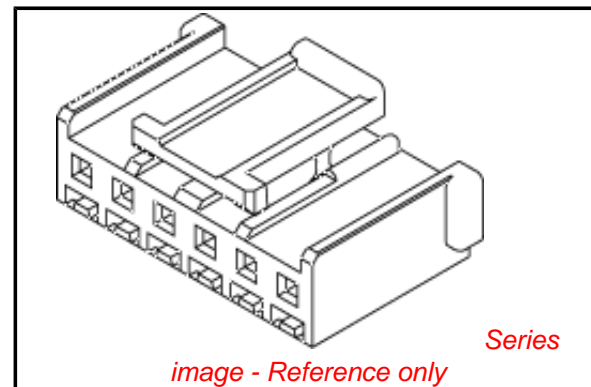


**PLEASE CHECK WWW.MOLEX.COM FOR LATEST PART INFORMATION**

**Part Number:** **0511031400**  
**Status:** **Active**  
**Description:** 2.50mm (.098") Pitch Wire-to-Wire and Wire-to-Board Housing, Positive Lock, 14 Circuits

**Documents:**

<a href="#">3D Model</a>	<a href="#">Product Specification PS-51103-007 (PDF)</a>
<a href="#">Drawing (PDF)</a>	<a href="#">Product Specification PS-51103-024 (PDF)</a>
<a href="#">Product Specification PS-51103-001 (PDF)</a>	<a href="#">Product Specification PS-51103-026 (PDF)</a>
<a href="#">Product Specification PS-51103-002 (PDF)</a>	<a href="#">Product Specification PS-51103-027 (PDF)</a>
<a href="#">Product Specification PS-51103-005 (PDF)</a>	<a href="#">Product Specification PS-51198-003 (PDF)</a>
<a href="#">Product Specification PS-51103-006 (PDF)</a>	<a href="#">RoHS Certificate of Compliance (PDF)</a>



**Agency Certification**

CSA	LR19980
TUV	R72081037
UL	E29179

**General**

Product Family	Crimp Housings
Series	<u>51103</u>
Product Name	N/A

**Physical**

Circuits (maximum)	14
Color - Resin	Natural
Flammability	94V-0
Gender	Female
Glow-Wire Compliant	No
Material - Resin	Polyester
Number of Rows	1
Packaging Type	Bag
Panel Mount	No
Pitch - Mating Interface (in)	0.098 In
Pitch - Mating Interface (mm)	2.50 mm
Stackable	No
Temperature Range - Operating	-40°C to +105°C

**Material Info**

**Reference - Drawing Numbers**

Packaging Specification	SPK-51103-001
Product Specification	PS-51103-001, PS-51103-002, PS-51103-005, PS-51103-006, PS-51103-007, PS-51103-024, PS-51103-026, PS-51103-027, PS-51198-003, RPS-51103-001, RPS-51103-003, RPS-51103-009, RPS-51103-010, RPS-51103-011, RPS-51103-012, RPS-51103-018, RPS-51103-021, RPS-51103-022, RPS-51103-028, RPS-51103-030, RPS-51103-031, RPS-51103-032, RPS-51103-033, RPS-51103-034, RPS-51103-039, RPS-51103-041, RPS-51103-043, RPS-51103-044, RPS-51103-046, RPS-51103-047, RPS-51103-049, RPS-51103-050, RPS-51103-051, RPS-51103-056, RPS-51103-057, RPS-53375-001 SD-51103-020, SD-51103-021, SD-51103-023
Sales Drawing	

**EU RoHS**

**ELV and RoHS Compliant**  
**REACH SVHC Contains SVHC: No**  
**Halogen-Free Status**

**China RoHS**



**Not Reviewed**

**Need more information on product environmental compliance?**

Email [productcompliance@molex.com](mailto:productcompliance@molex.com)  
 For a multiple part number RoHS Certificate of Compliance, [click here](#)

Please visit the [Contact Us](#) section for any non-product compliance questions.

**Search Parts in this Series**

51103Series

**Mates With**

51198 , 53375 , 53426 , 53517 , 53608

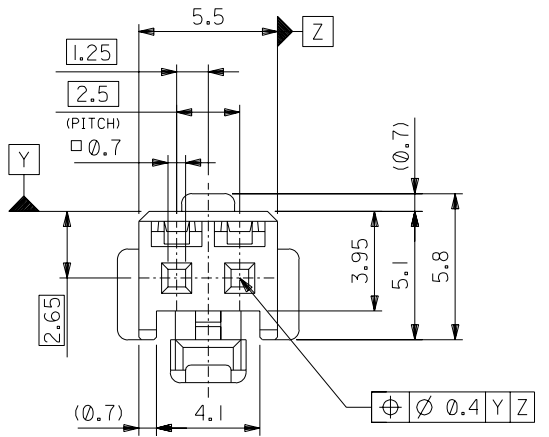
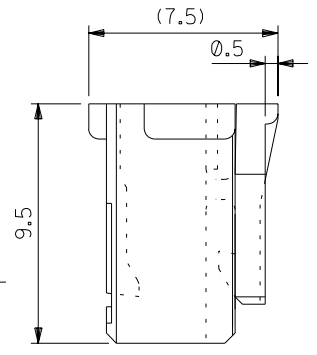
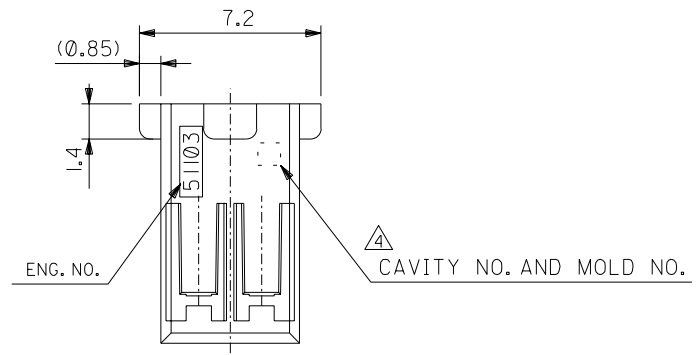
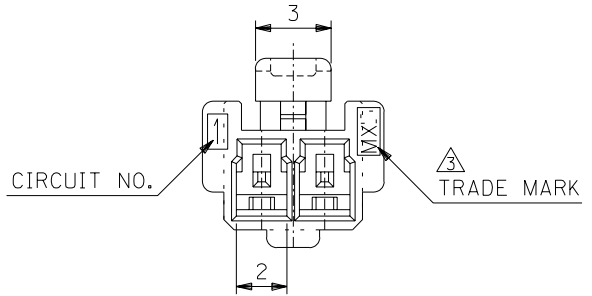
**Use With**

50351 , 50752

This document was generated on 05/24/2010

**PLEASE CHECK [WWW.MOLEX.COM](http://WWW.MOLEX.COM) FOR LATEST PART INFORMATION**

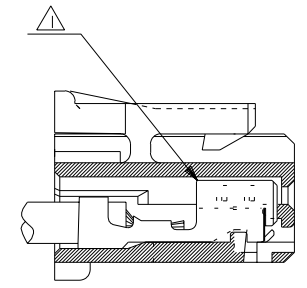
DWG. NO. SD-51103-020



注記 NOTES

- △ 適合ターミナル：50351-8\*00  
APPLICABLE TERMINAL：50351-8\*00
- 2. 嵌合相手：53464 シリーズ  
MATE WITH：53464 SERIES.
- △ MX Jと表示。  
INDICATE MXJ.
- △ キャビティー番号：1桁～2桁の数字  
金型番号：アルファベット1文字にて構成。(例. 1A, 10B)  
FORMED BY 1 DIGIT TO 2 DIGIT NUMBERS (TO CAVITY NO.)  
AND BY 1 LETTER OF ALPHABET (TO MOLD NO.).  
(e.g. 1A, 10B)
- 5. 製品番号の末尾は製品の色を示す  
LAST NUMBER OF DWG.NO. MEANS PART COLLER.

51103-\*\*25  
色番号 COLLER CODE  
5 蛍光灰色 GRAY

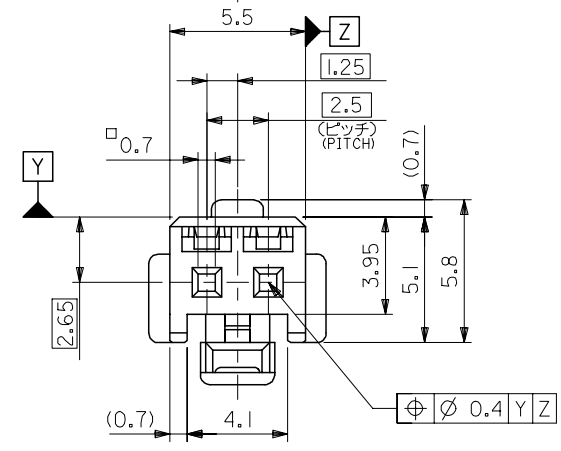
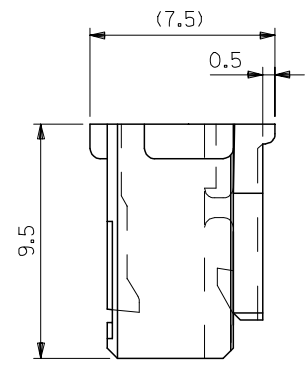
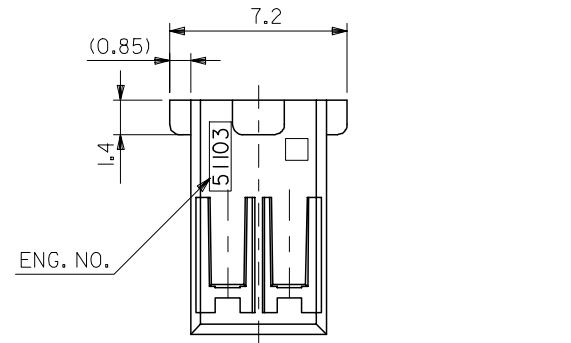
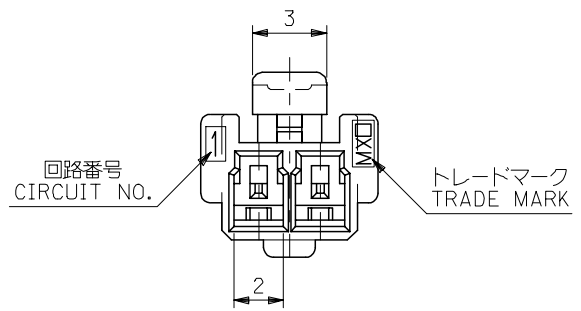


ターミナル装着状態図  
TERMINAL ASSEMBLY DRAWING

51103-0225	2
MATERIAL NO.	NO. OF CIRCUIT

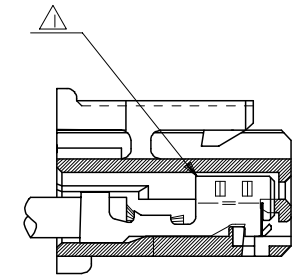
DIMENSIONS:		SHT	REV
<input type="checkbox"/> mm	<input type="checkbox"/> INCH	<input type="checkbox"/>	<input type="checkbox"/>
PROJECTION		DRAWING ON CAD ONLY	

DO NOT SCALE DRAWING	① ② ③ ④ ⑤ ⑥ ⑦ ⑧ ① NO. DRWN: CH'K: APPR: ② NO. DRWN: CH'K: APPR: ③ NO. DRWN: CH'K: APPR: ④ NO. DRWN: CH'K: APPR: ⑤ NO. DRWN: CH'K: APPR: ⑥ NO. DRWN: CH'K: APPR: ⑦ NO. DRWN: CH'K: APPR: ⑧ NO. DRWN: CH'K: APPR:	RELEASED '02/11/22 ① NO. DRWN: N.IITO ② NO. DRWN: K.ASAKAWA ③ NO. DRWN: T.YAMAGUCHI	MATERIAL 材料 POLYBUTYLENE TEREPHTHALATE UL94V-0	GENERAL TOLERANCES: (UNLESS SPECIFIED) 一般公差 10 UNDER 未満 ±0.2 10 OVER 以上 30 UNDER 未満 ±0.25 30 OVER 以上 ±0.3 ANGLE 角度 ±3°	SCALE 5 : 1 DESIGN UNITS <input checked="" type="checkbox"/> mm <input type="checkbox"/> INCH DRAWN BY & DATE N.IITO '02/11/22 CHECKED BY & DATE K.ASAKAWA '02/11/22 APPROVED BY & DATE T.YAMAGUCHI '02/11/22 CAD FILENAME SD-51103-020.S01	TITLE: 2.5 WIRE TO BOARD CONN. HOUSING (POSITIVE LOCK) MOLEX MOLEX INCORPORATED	MATERIAL NO. SEE CHART DRAWING NO. SD-51103-020 SHEET NO. 1 OF 1		
	WIRE RANGE 適用線径範囲 # INS. RANGE 被覆外径 #	FINISH 仕上げ #	REV 0	DIMENSIONS: <input type="checkbox"/> mm <input type="checkbox"/> INCH <input checked="" type="checkbox"/> mm ONLY	DIMENSIONS: <input type="checkbox"/> mm <input type="checkbox"/> INCH <input checked="" type="checkbox"/> mm ONLY	TITLE: 2.5 WIRE TO BOARD CONN. HOUSING (POSITIVE LOCK)	MATERIAL NO. SEE CHART	DRAWING NO. SD-51103-020	SHEET NO. 1 OF 1
	WIRE RANGE 適用線径範囲 # INS. RANGE 被覆外径 #	FINISH 仕上げ #	REV 0	DIMENSIONS: <input type="checkbox"/> mm <input type="checkbox"/> INCH <input checked="" type="checkbox"/> mm ONLY	DIMENSIONS: <input type="checkbox"/> mm <input type="checkbox"/> INCH <input checked="" type="checkbox"/> mm ONLY	TITLE: 2.5 WIRE TO BOARD CONN. HOUSING (POSITIVE LOCK)	MATERIAL NO. SEE CHART	DRAWING NO. SD-51103-020	SHEET NO. 1 OF 1
	WIRE RANGE 適用線径範囲 # INS. RANGE 被覆外径 #	FINISH 仕上げ #	REV 0	DIMENSIONS: <input type="checkbox"/> mm <input type="checkbox"/> INCH <input checked="" type="checkbox"/> mm ONLY	DIMENSIONS: <input type="checkbox"/> mm <input type="checkbox"/> INCH <input checked="" type="checkbox"/> mm ONLY	TITLE: 2.5 WIRE TO BOARD CONN. HOUSING (POSITIVE LOCK)	MATERIAL NO. SEE CHART	DRAWING NO. SD-51103-020	SHEET NO. 1 OF 1



注記 NOTES

- △ 適合ターミナル：5035I-8\*00  
APPLICABLE TERMINAL：5035I-8\*00
- 2. 嵌合相手：53375,53426 シリーズ  
MATE WITH：53375,53426 SERIES
- △ 偶数極の製品に適用。  
APPLY EVEN CIRCUIT PRODUCTS.
- 4. 製品型番の下1桁は色を表す。  
LAST DIGIT OF PART NUMBER INDICATES COLOR.  
0：白 WHITE    1：黒 BLACK    2：赤 RED  
3：黄 YELLOW    4：青 BLUE



ターミナル装着状態図  
TERMINAL ASSEMBLY DRAWING

2極に適用  
FOR 2 CKTS.

51103-020*	2
MATERIAL NO.	CIRCUIT

RELEASED EC NO: J2005-2009 DRAWN: M.UMEDA 2005/02/02 CHKD: K.TOYODA 2005/02/04 APPR: N. UKITA 2005/02/14	GENERAL TOLERANCES (UNLESS SPECIFIED)		DIMENSION STYLE MM ONLY		SCALE ---	DESIGN UNITS METRIC	THIRD ANGLE PROJECTION		
	10 UNDER	±0.2	DRAWN BY M.UMEDA		DATE 2005/01/14		TITLE 2.5 W/B CONN. HOUSING (POSITIVE LOCK)		
	10 OVER 30 UNDER	±0.25	CHECKED BY K. TOYODA		DATE 2005/01/14				
	30 OVER	±0.3	APPROVED BY N. UKITA		DATE 2005/01/14		MOLEX INCORPORATED		
	ANGULAR	±3 °	MATERIAL NO.		DOCUMENT NO.				
DRAFT WHERE APPLICABLE MUST REMAIN WITHIN DIMENSIONS		SEE CHART		SD-51103-021		1 OF 2			
THIS DRAWING CONTAINS INFORMATION THAT IS PROPRIETARY TO MOLEX INCORPORATED AND SHOULD NOT BE USED WITHOUT WRITTEN PERMISSION									

10 9 8 7 6 5 4 3 2 1

F

E

D

C

B

A

F

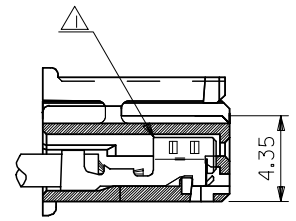
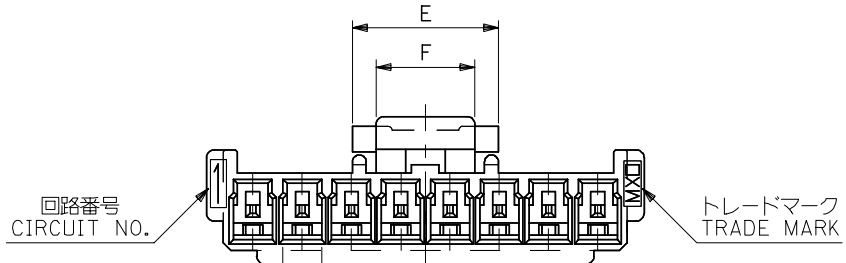
E

D

C

B

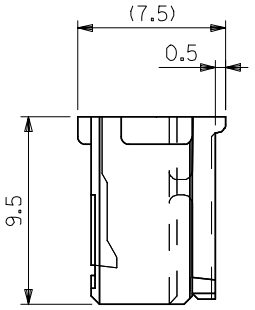
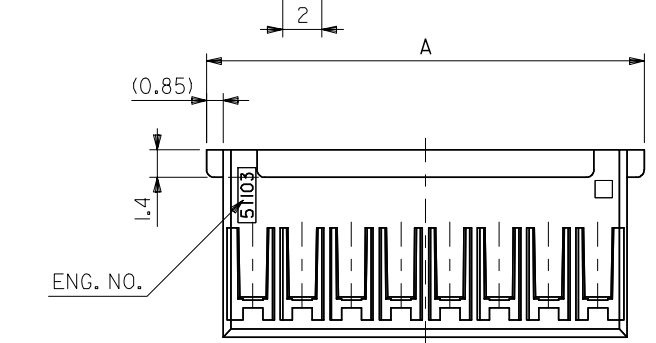
A



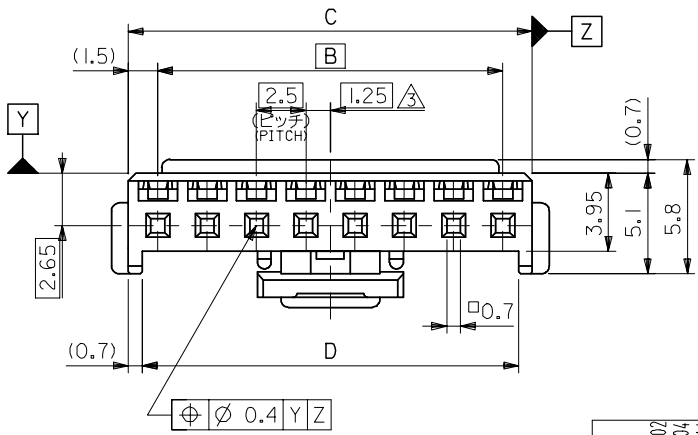
ターミナル装着状態図  
TERMINAL ASSEMBLY DRAWING

注記 NOTES

- △ 適合ターミナル : 5035I-8\*00  
APPLICABLE TERMINAL : 5035I-8\*00
- 2. 嵌合相手 : 53375,53426 シリーズ  
MATE WITH : 53375,53426 SERIES
- △ 偶数極の製品に適用。  
APPLY EVEN CIRCUIT PRODUCTS.
- 4. 製品型番の下1桁は色を表す。  
LAST DIGIT OF PART NUMBER INDICATES COLOR.  
0 : 白 WHITE    1 : 黒 BLACK    2 : 赤 RED  
3 : 黄 YELLOW    4 : 青 BLUE



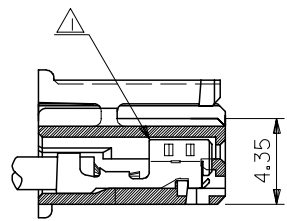
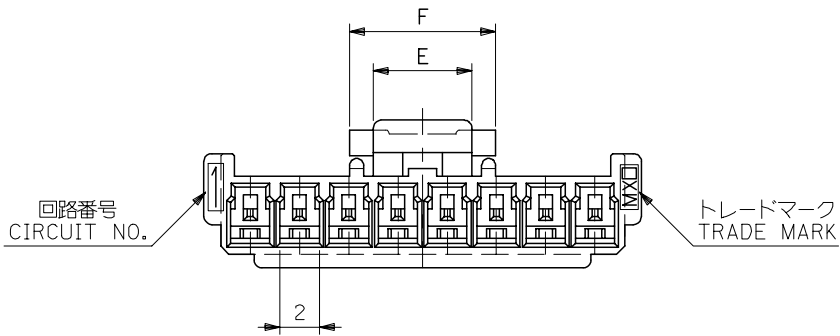
3-15 極に適用  
FOR 3-15 CKTS.



5	7.4	36.6	38	35	39.7	51103-150*	15
↑	↑	34.1	35.5	32.5	37.2	↑ -140*	14
		31.6	33	30	34.7	-130*	13
		29.1	30.5	27.5	32.2	-120*	12
		26.6	28	25	29.7	-110*	11
		24.1	25.5	22.5	27.2	-100*	10
		21.6	23	20	24.7	-090*	9
		19.1	20.5	17.5	22.2	-080*	8
		16.6	18	15	19.7	-070*	7
		14.1	15.5	12.5	17.2	-060*	6
↓	↓	11.6	13	10	14.7	↓ -050*	5
5	7.4	9.1	10.5	7.5	12.2	↓ -040*	4
3	5	6.6	8	5	9.7	51103-030*	3
F	E	D	C	B	A	MATERIAL NO.	CIRCUIT

RELEASED EC NO: J2005-2009 DRAWN: MUMEDA 2005/02/02 CHKD: KTOYODA 2005/02/04 APPR: NUKITA 2005/02/14	GENERAL TOLERANCES (UNLESS SPECIFIED)		DIMENSION STYLE MM ONLY		SCALE ---	DESIGN UNITS METRIC	THIRD ANGLE PROJECTION
	10 UNDER	±0.2	DRAWN BY M.UMEDA		DATE 2005/01/14		TITLE 2.5 W/B CONN. HOUSING (POSITIVE LOCK)
	10 OVER 30 UNDER	±0.25	CHECKED BY KTOYODA		DATE 2005/01/14		MOLEX INCORPORATED DOCUMENT NO. SD-51103-021 SHEET NO. 2 OF 2
	30 OVER	±0.3	APPROVED BY N. UKITA		DATE 2005/01/14		
	ANGULAR ±3 °		MATERIAL NO.		SEE CHART		
DRAFT WHERE APPLICABLE MUST REMAIN WITHIN DIMENSIONS		SIZE A3		THIS DRAWING CONTAINS INFORMATION THAT IS PROPRIETARY TO MOLEX INCORPORATED AND SHOULD NOT BE USED WITHOUT WRITTEN PERMISSION			

10 9 8 7 6 5 4 3 2 1

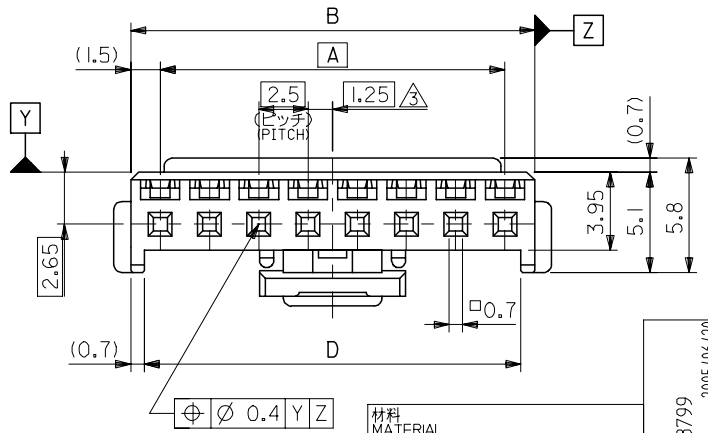
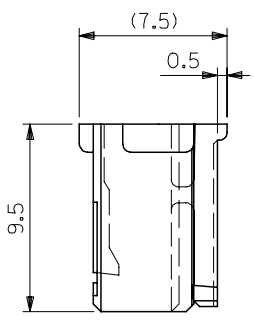
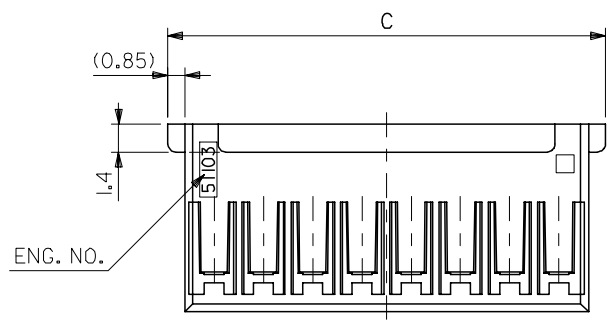


ターミナル装着状態図  
TERMINAL ASSEMBLY DRAWING

注記 NOTES

- △1 適合ターミナル：50351-8\*00  
APPLICABLE TERMINAL：50351-8\*00
- 2. 嵌合相手：53375,53376,53388,53389  
53426 シリーズ  
MATE WITH：53375,53376,53388,53389  
53426 SERIES
- △3 偶数極の製品に適用。  
APPLY EVEN CIRCUIT PRODUCTS.

3-15 極に適用  
FOR 3-15 CKTS.



7.4	5	36.6	39.7	38	35	51103-1500	15
▲	▲	34.1	37.2	35.5	32.5	▲ -1400	14
		31.6	34.7	33	30	▲ -1300	13
		29.1	32.2	30.5	27.5	▲ -1200	12
		26.6	29.7	28	25	▲ -1100	11
		24.1	27.2	25.5	22.5	▲ -1000	10
		21.6	24.7	23	20	▲ -0900	9
		19.1	22.2	20.5	17.5	▲ -0800	8
		16.6	19.7	18	15	▲ -0700	7
		14.1	17.2	15.5	12.5	▲ -0600	6
		11.6	14.7	13	10	▲ -0500	5
7.4	5	9.1	12.2	10.5	7.5	▼ -0400	4
5	3	6.6	9.7	8	5	51103-0300	3
F	E	D	C	B	A	MATERIAL NO.	極数 NO. OF CKT.

材料 MATERIAL  
PBTP, UL94V-0 (白色 WHITE)

仕上げ FINISH —

適用電線範囲 WIRE RANGE —

被覆外径 INS. RANGE —

REVISED EC NO: J2005-3799

DRWN:MABEI 2005/06/20

CHKDK:TOYODA 2005/06/21

APPR:NUKITA 2005/06/27

GENERAL TOLERANCES (UNLESS SPECIFIED)

10 UNDER	±0.2
10 OVER 30 UNDER	±0.25
30 OVER	±0.3
ANGULAR	±3 °

DRAFT WHERE APPLICABLE MUST REMAIN WITHIN DIMENSIONS

DIMENSION STYLE MM ONLY

SCALE 4:1

DESIGN UNITS METRIC

THIRD ANGLE PROJECTION

DRAWN BY T. ITO DATE '92/05/06

CHECKED BY H. HIRAMOTO DATE '95/10/03

APPROVED BY M. FUKUSHIMA DATE '95/10/03

MATERIAL NO. SEE CHART

SIZE A3

TITLE 2.5 WIRE TO BOARD CONN HOUSING (POSITIVE LOCK)

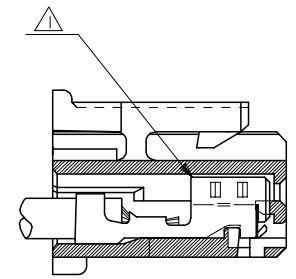
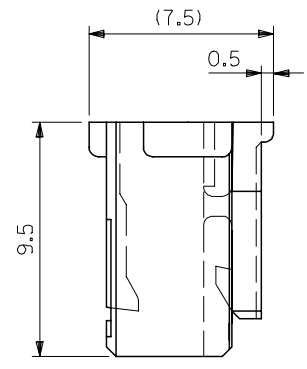
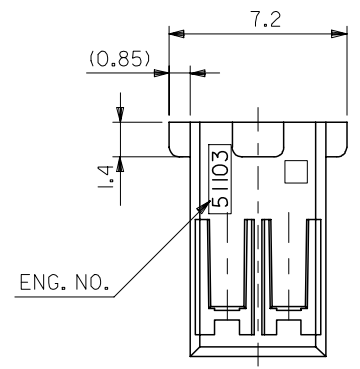
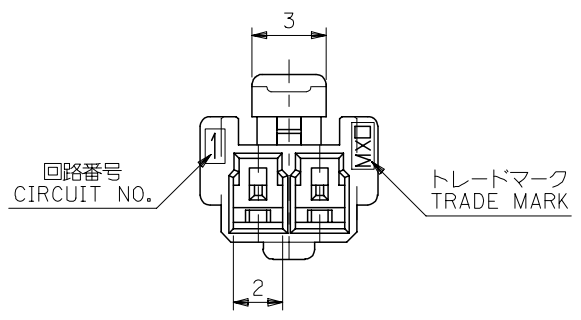
MOLEX MOLEX INCORPORATED

DOCUMENT NO. SD-51103-023

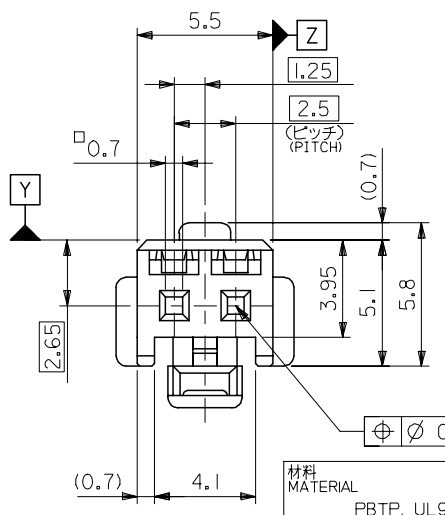
SHEET NO. 1 OF 2

THIS DRAWING CONTAINS INFORMATION THAT IS PROPRIETARY TO MOLEX INCORPORATED AND SHOULD NOT BE USED WITHOUT WRITTEN PERMISSION

10 9 8 7 6 5 4 3 2 1



ターミナル装着状態図  
TERMINAL ASSEMBLY DRAWING



材料 MATERIAL	PBTP, UL94V-0 (色 WHITE)
仕上げ FINISH	—
適用電線範囲 WIRE RANGE	—
被覆外径 INS. RANGE	—

⊕ ⌀ 0.4 Y Z

注記 NOTES

- △ 適合ターミナル : 5035I-8\*00  
APPLICABLE TERMINAL : 5035I-8\*00
- 2. 嵌合相手 : 53375,53426 シリーズ  
MATE WITH : 53375,53426 SERIES

2極に適用  
FOR 2 CKTS.

51103-0200	2
MATERIAL NO.	極数 NO. OF CKT.

REVISED EC NO: J2005-3799 DRW:MNABEI 2005/06/20 CHKD:KTOYODA 2005/06/21 APP:NUKITA 2005/06/27	GENERAL TOLERANCES (UNLESS SPECIFIED)	DIMENSION STYLE MM ONLY	SCALE 5:1	DESIGN UNITS METRIC	THIRD ANGLE PROJECTION
	10 UNDER ±0.2	DRAWN BY T. ITO	DATE '92/05/06	TITLE 2.5 WIRE TO BOARD CONN HOUSING (POSITIVE LOCK)	
	10 OVER 30 UNDER ±0.25	CHECKED BY H. HIRAMOTO	DATE '95/10/03	MOLEX INCORPORATED	
	30 OVER ±0.3	APPROVED BY M. FUKUSHIMA	DATE '95/10/03	DOCUMENT NO. SD-51103-023	SHEET NO. 2 OF 2
	ANGULAR ±3 °	MATERIAL NO.	SEE CHART		
	DRAFT WHERE APPLICABLE MUST REMAIN WITHIN DIMENSIONS	SIZE A3	THIS DRAWING CONTAINS INFORMATION THAT IS PROPRIETARY TO MOLEX INCORPORATED AND SHOULD NOT BE USED WITHOUT WRITTEN PERMISSION		