

**PLEASE CHECK WWW.MOLEX.COM FOR LATEST PART INFORMATION**

**Part Number:** [0643261002](#)  
**Status:** **Active**  
**Overview:** [cmc connectors](#)  
**Description:** 2.50 mm (.098"), 4.20mm (.165") and 8.40mm, Power CMC Receptacles, 22 Circuits, Left Wire Output, Brown Coding with Rear Seal Cover

**Documents:**

[Drawing \(PDF\)](#) [RoHS Certificate of Compliance \(PDF\)](#)

**General**

Product Family	Crimp Housings
Series	<a href="#">64326</a>
Comments	* Current tested on a fully loaded connector, current for temperature increase of 40°C. Current max = 26.0A for 2.8mm Terminal (5.0mm <sup>2</sup> wire), 4.5A for 0.635mm Terminal (0.75mm <sup>2</sup> wire)
Overview	<a href="#">cmc connectors</a>
Product Name	CMC

**Physical**

Circuits (maximum)	22
Circuits Detail	2 x 2.80mm (.110") terminals high current, 20 x 0.635mm (.025") terminals signal pin
Color - Resin	Black
Gender	Female
Glow-Wire Compliant	No
Keying to Mating Part	Yes
Lock to Mating Part	Yes
Material - Resin	Polyester
Number of Rows	4
Packaging Type	Carton
Panel Mount	No
Pitch - Mating Interface (in)	0.098 In, 0.165 In, 0.330 In
Pitch - Mating Interface (mm)	2.50 mm, 4.20 mm, 8.40 mm
Polarized to Mating Part	Yes
Stackable	No
Temperature Range - Operating	-40°C to +125°C

**Electrical**

Current - Maximum per Contact	26A, 4.5A
-------------------------------	-----------

**Material Info**

**Reference - Drawing Numbers**

Application Specification	AS-64326-001
Sales Drawing	SD-64326-001, SD-64326-002

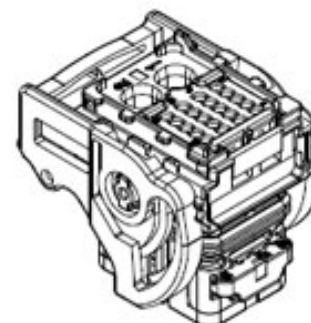


image - Reference only

Series

**EU RoHS**

**ELV and RoHS Compliant**  
**REACH SVHC**  
 Not Reviewed  
**Halogen-Free Status**  
 Not Reviewed

**China RoHS**



**Need more information on product environmental compliance?**

Email [productcompliance@molex.com](mailto:productcompliance@molex.com)  
 For a multiple part number RoHS Certificate of Compliance, [click here](#)

Please visit the [Contact Us](#) section for any non-product compliance questions.

**Search Parts in this Series**

[64326Series](#)

**Mates With**

No free available mating header, please contact Product Manager

**Use With**

Terminals [64322](#) CP 0.635mm (.025"), [64324](#) CP 2.80mm (.110"), [643251010](#)  
 Blind Plugs for CP 0.635mm (.025") cavity [643251091](#) Seal Plug for CP 2.80mm (.110") cavity, Wire Cap [643191201](#)

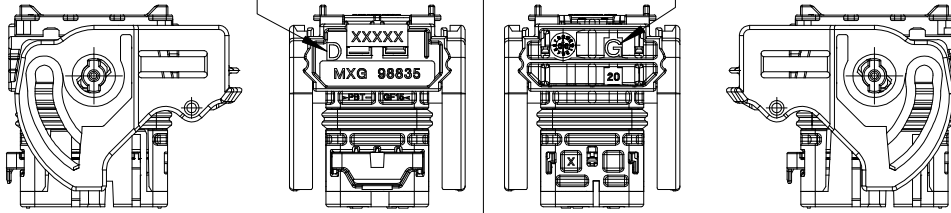
**FEMALE MODULE 22 WAY  
WITH REAR SEAL COVER CMC 22 WAY**

**FEMALE MODULE RIGHT WIRE OUTPUT**

RIGHT MARKING: "D"

**FEMALE MODULE LEFT WIRE OUTPUT**

LEFT MARKING: "G"



**MOLEX  
PART NUMBERS**

**COLOR**

**MOLEX  
PART NUMBERS**

**COLOR**

0643261001

BLACK

0643261002

BLACK

0643261005

BROWN

0643261006

BROWN

0643261009

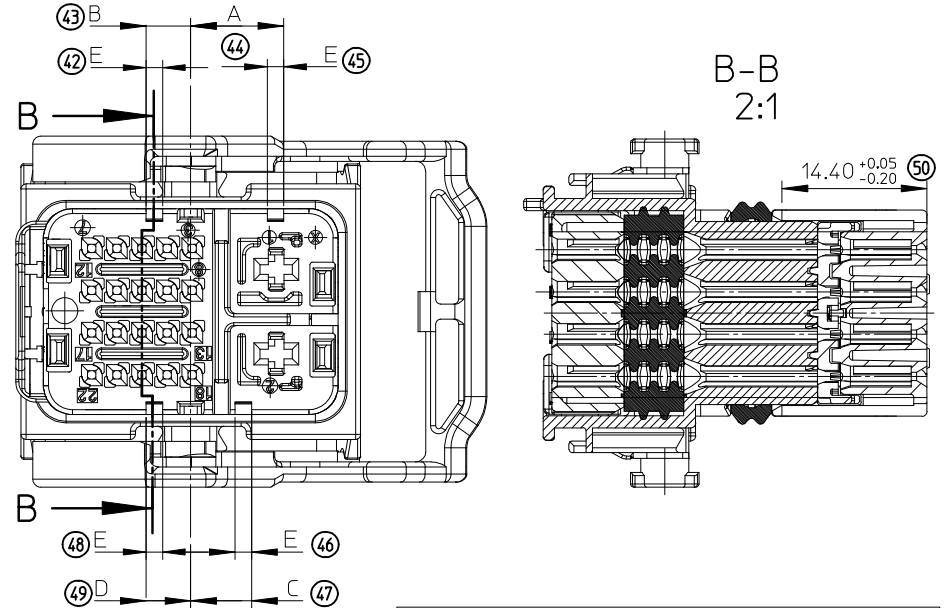
BLUE

0643261010

BLUE

**ASSOCIATED TERMINALS**

CAVITIES N°	TERMINAL	PLATING	MOLEX P/N*	WIRE SEAL P/N*	MIN / MAX WIRE INSULATION DIAMETER
1 to 2	CP2.8 0.50mm2 to 1mm2	Tin plated	0643241049	0643251162	Ø1.40 min / Ø2.15 Max
		Gold plated	0643241149		
	CP2.8 >1mm2 to 2mm2	Tin plated	0643241039	0643251175	Ø2.10 min / Ø2.80 Max
		Gold plated	0643241139		
	CP2.8 >2mm2 to 3mm2	Tin plated	0643241029	0643251188	Ø2.65 min / Ø3.45 Max
		Gold plated	0643241129		
CP2.8 >3mm2 to 5mm2	Tin plated	0643241019	0643251196	Ø3.40 min / Ø4.00 Max	
	Gold plated	0643241119			
3 to 22	CP0.6 0.35mm2	Tin plated	0643221019		Ø1.25 min / Ø1.40 Max
		Gold plated	0643221229		
	CP0.6 0.50mm2	Tin plated	0643221039		Ø1.40 min / Ø1.70 Max
		Gold plated	0643221239		
	CP0.6 0.75mm2	Tin plated	0643221029		Ø1.60 min / Ø1.90 Max
		Gold plated	0643221219		

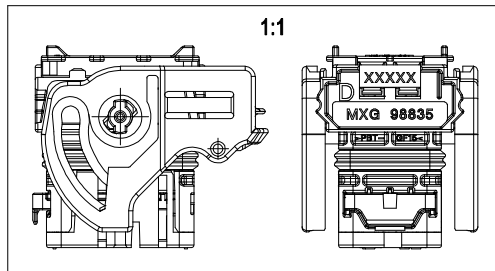


**CODINGS**

COLOR	A <sup>+0.10</sup> <sub>0</sub>	B <sup>+0.10</sup> <sub>0</sub>	C <sup>+0.10</sup> <sub>0</sub>	D <sup>+0.10</sup> <sub>0</sub>	E <sup>+0.10</sup> <sub>0</sub>
BLACK	9.2	4.4	6.0	4.4	1.6
BROWN	6.0	7.6	9.2	9.2	1.6
BLUE	7.55	6.0	9.15	6.0	1.6

**NOTES:**

- FOR ILLUSTRATION PURPOSE THE FEMALE MODULE SHOWN IS THE RIGHT WIRE OUTPUT "D", CODING BLACK
- APPLICATION SPECIFICATION: AS-64326-001
- THE ASSEMBLED FEMALE MODULE IS ASSEMBLED WITH THE COVER P/N°0643191201
- FOR 0.6 CAVITIES USE PLUGS P/N°:0643251010
- FOR 2.8 CAVITIES USE CAP SEALS P/N°: 0643251091
- PART WEIGHT: 31.000 g



FIRST RELEASE EC NO: G2009-0122 DRAWING: DESBRUERES 2008/12/19 CHKD: O. PLESSIS 2008/12/19 APPR: CBOUCHAN 2009/01/12	REV	DESCRIPTION
	1	QUALITY SYMBOL

GENERAL TOLERANCES (UNLESS SPECIFIED)

	mm	INCH
4 PLACES	± ---	± ---
3 PLACES	± ---	± ---
2 PLACES	± 0.05	± ---
1 PLACE	± 0.1	± ---
ANGULAR ± 2 °		

DRAFT WHERE APPLICABLE  
MUST REMAIN  
WITHIN DIMENSIONS

DIMENSION STYLE  
**MM ONLY**

DRAWN BY	DATE
G. DESBRUERES	2008/10/02
CHECKED BY	DATE
O. PLESSIS	2008/10/02
APPROVED BY	DATE
C. BOUCHAN	2008/10/03

SCALE  
**1:1**

DESIGN UNITS  
**METRIC**

FIRST ANGLE  
PROJECTION

**CMC FEMALE MODULE 22W  
GENERIC SALES DRAWING**



**MOLEX INCORPORATED**

SEE CHARTS

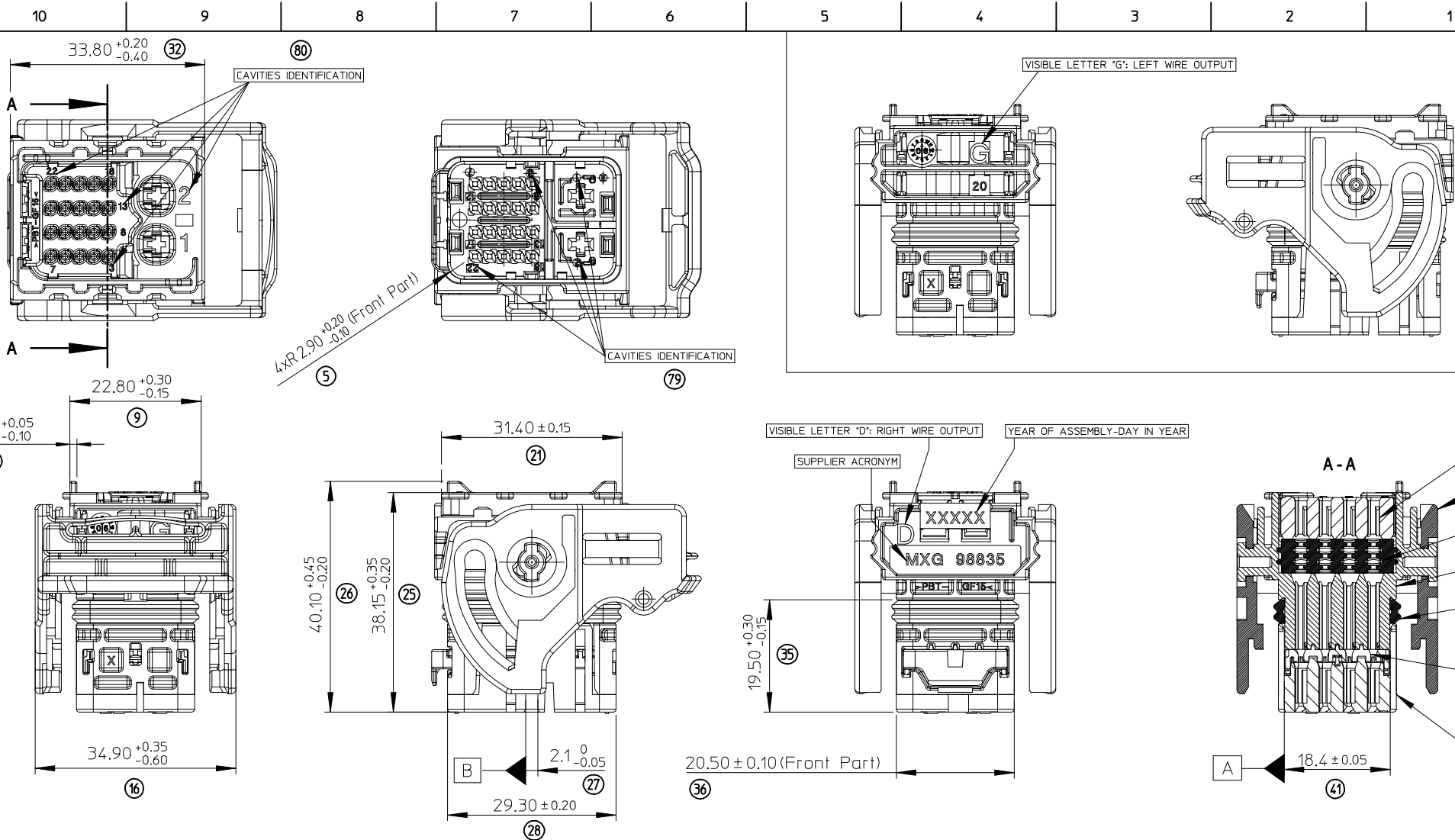
DOCUMENT NO.

**SD-64326-001**

SHEET NO.

1 OF 3

THIS DRAWING CONTAINS INFORMATION THAT IS PROPRIETARY TO MOLEX INCORPORATED AND SHOULD NOT BE USED WITHOUT WRITTEN PERMISSION



POS.	QTY	P/N*	DESIGNATION	MATERIAL	COLOR
7	1	0989930241	LEVER SIZE T2	>PBT-GF30<	BLACK
6	1	0986560001	PERIMETER SEAL	SILICONE	BLUE
5	1	0988350007	REAR SEAL COVER 22 way	>PBT-GF15 FR(17)< CLASS UL-V0	GREY
4	1	0988350006	BACK SEAL	SILICONE	GREEN
3	1	0988350005	T.P.A	>PBT-GF15 FR(17)< CLASS UL-V0	YELLOW
2	1	0988350004	HOUSING TOP PART	>PBT-GF15 FR(17)< CLASS UL-V0	BROWN
1	1	0988350001	HOUSING BOTTOM PART	>PBT-GF15 FR(17)< CLASS UL-V0	BLACK
		0988350002			BROWN
		0988350003			BLUE

**FIRST RELEASE**  
 EC NO: G2009-0172Z  
 DRWNG: GDESBRUERES 2008/12/19  
 CHK'D: O. PLESSIS 2008/12/19  
 APPR: CBOUCHAN 2009/01/12

QUALITY SYMBOL  
 ▲ +0  
 ▼ -0

GENERAL TOLERANCES (UNLESS SPECIFIED)	
mm	INCH
4 PLACES	± --- ± ---
3 PLACES	± --- ± ---
2 PLACES	± 0.05 ± ---
1 PLACE	± 0.1 ± ---
ANGULAR ± 2 °	

DRAFT WHERE APPLICABLE  
 MUST REMAIN WITHIN DIMENSIONS

DIMENSION STYLE	
MM ONLY	
DRAWN BY	DATE
G. DESBRUERES	2008/10/02
CHECKED BY	DATE
O. PLESSIS	2008/10/02
APPROVED BY	DATE
C. BOUCHAN	2008/10/03
MATERIAL NO.	
SEE SHEET 1	

SCALE	DESIGN UNITS	FIRST ANGLE PROJECTION
1.5:1	METRIC	☉ ▷
TITLE		
CMC FEMALE MODULE 22W GENERIC SALES DRAWING		
MOLEX INCORPORATED		SHEET NO.
DOCUMENT NO. SD-64326-001		2 OF 3

THIS DRAWING CONTAINS INFORMATION THAT IS PROPRIETARY TO MOLEX INCORPORATED AND SHOULD NOT BE USED WITHOUT WRITTEN PERMISSION

10 9 8 7 6 5 4 3 2 1

FEMALE MODULE OVERALLS - T.P.A IN POSITION TO FIT TERMINALS

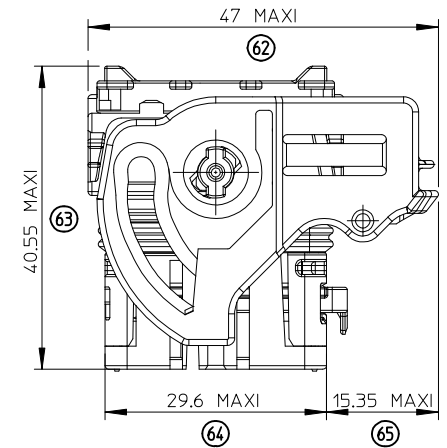
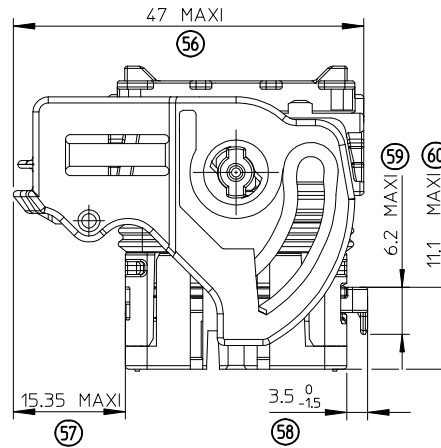
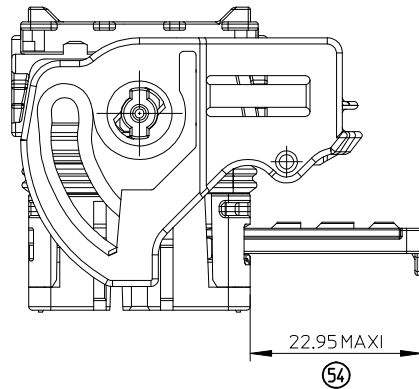
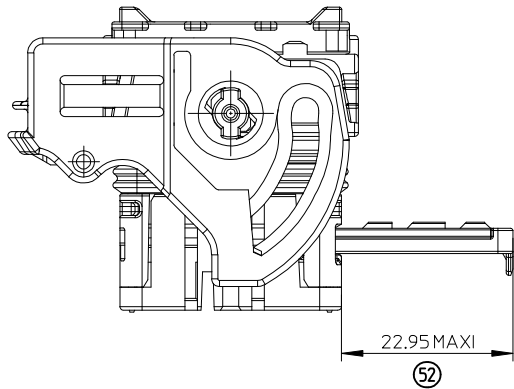
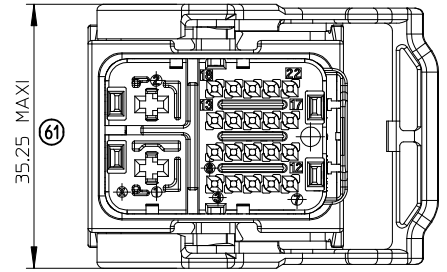
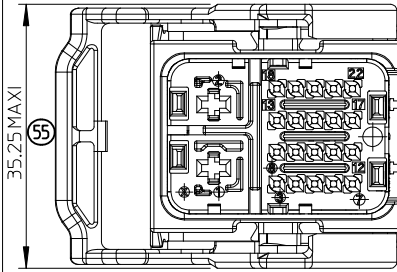
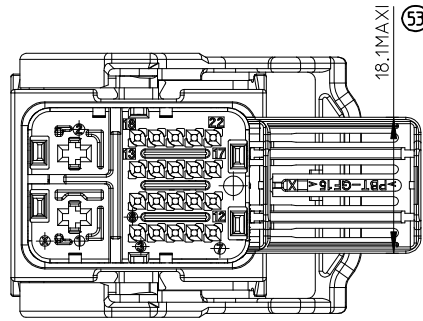
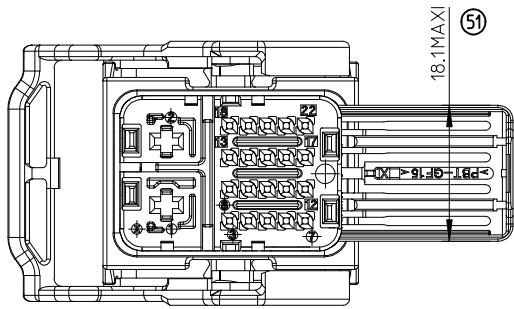
FEMALE MODULE OVERALLS - T.P.A IN DELIVERY POSITION

FEMALE MODULE - RIGHT WIRE OUTPUT

FEMALE MODULE - LEFT WIRE OUTPUT

FEMALE MODULE - RIGHT WIRE OUTPUT

FEMALE MODULE - LEFT WIRE OUTPUT



FIRST RELEASE EC NO: G2009-0122 DRWN:DESBRUERES 2008/12/19 CHKD:O.PLESSIS 2008/12/19 APPR:CBOUCHAN 2009/01/12	REV	DESCRIPTION
	1	QUALITY SYMBOL

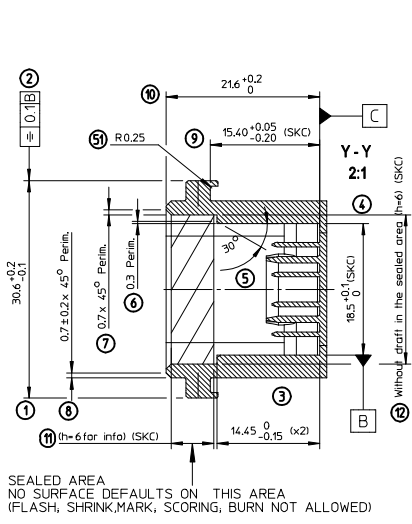
GENERAL TOLERANCES (UNLESS SPECIFIED)	
mm	INCH
4 PLACES	± --- ± ---
3 PLACES	± --- ± ---
2 PLACES	± 0.05 ± ---
1 PLACE	± 0.1 ± ---
ANGULAR ± 2 °	
DRAFT WHERE APPLICABLE MUST REMAIN WITHIN DIMENSIONS	

DIMENSION STYLE	
MM ONLY	
DRAWN BY	DATE
G.DESBRUERES	2008/10/02
CHECKED BY	DATE
O.PLESSIS	2008/10/02
APPROVED BY	DATE
C.BOUCHAN	2008/10/03
MATERIAL NO.	
SEE SHEET 1	
SIZE	
A3	

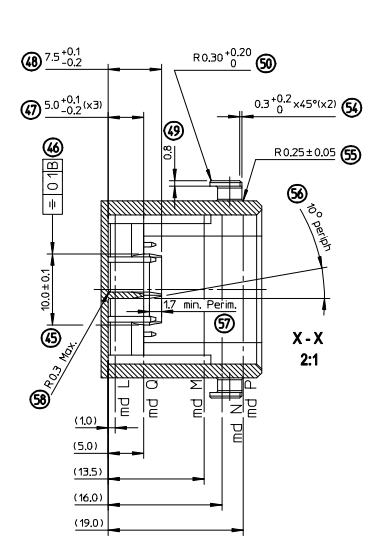
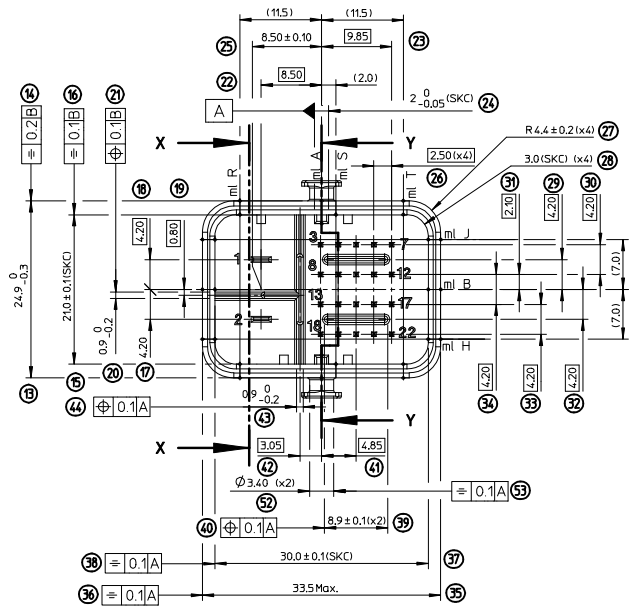
SCALE	DESIGN UNITS	FIRST ANGLE PROJECTION
1:1	METRIC	
TITLE		
CMC FEMALE MODULE 22W GENERIC SALES DRAWING		
molex MOLEX INCORPORATED		
DOCUMENT NO.	SHEET NO.	
SD-64326-001	3 OF 3	
THIS DRAWING CONTAINS INFORMATION THAT IS PROPRIETARY TO MOLEX INCORPORATED AND SHOULD NOT BE USED WITHOUT WRITTEN PERMISSION		

9 8 7 6 5 4 3 2 1

**HOUSING OVERALLS - MALE TERMINALS AND WALLS FOR PROTECTION IMPLANTATION**

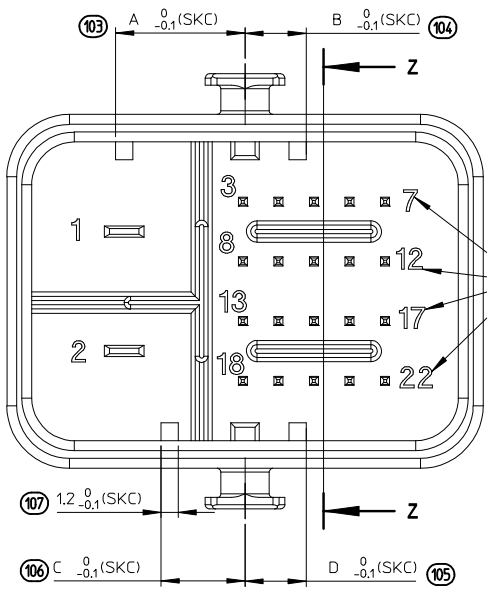
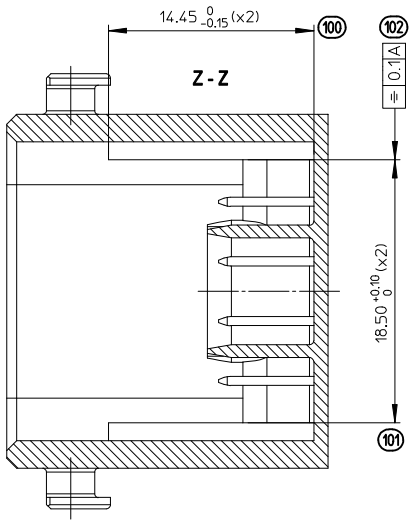


SEALED AREA  
NO SURFACE DEFAULTS ON THIS AREA  
(FLASH, SHRINK, MARK, SCORING, BURN NOT ALLOWED)



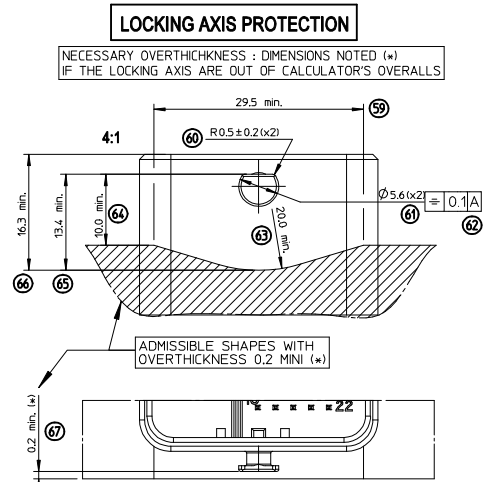
**CHART MEASURES FOR INTERFACE**

NUMB.	DIMENSION	MEASURE LINE	MEASURE DEPTH
35	33.5 MAXI	B H J	P
37	30 ± 0.1	B H J	N P
	29.8 MINI 30.1 MAXI	B H J	L
15	21 ± 0.1	R T	L N P
		S	L
		A	N P
	20.8 MINI 21.1 MAXI	R S T	L
13	24.9 0/-0.3	A R T	P
10	21.6 ± 0.2/0	MAX / MIN	
28	R3.0 ± 0.1		N P
4	18.5 ± 0.1/0	A	L M Q
107	1.2 0/-0.1	CODING	L M
101	18.5 ± 0.1/0	CODING	L M
103/105/106	9.1 0/-0.1	CODING	L M
103/104	7.5 0/-0.1	CODING	L M
103/104/105/106	5.9 0/-0.1	CODING	L M
104/105	4.3 0/-0.1	CODING	L M



CAVITIES IDENTIFICATION (SKC)  
Height 1.5mm embossed in  
a recessed area of 0.3mm Max.

**NOTES:**  
-MATING SURFACES WITHOUT ANY FLASH  
-HEADER PPA GF 33% AND PBT GF 30% RECOMMENDED



**CODINGS**

COLOR	DIM. A	DIM. B	DIM. C	DIM. D
BLACK	9.1	4.3	5.9	4.3
BROWN	5.9	7.5	9.1	9.1
BLUE	7.45	5.9	9.05	5.9

**CODINGS LOCATION**  
(BLACK CODING SHOWN)  
4:1

**SKC SPECIAL KEY CHARACTERISTICS**

- SKC DENOTES S.P.C. DIMENSIONS
- SKC DENOTES CRITICAL DIMENSIONS
- SKC DENOTES FUNCTIONAL DIMENSIONS
- QUANTITY PER INDIVIDUAL SHEET
- SKC 13

**FIRST RELEASE**  
EC NO: G2009-0145  
DRAWN: GDESBRUERES 2008/12/11  
CHKD: O. PLESSIS 2008/12/11  
APPR: CBOUCHAN 2008/12/16

GENERAL TOLERANCES (UNLESS SPECIFIED)		DIMENSION STYLE		SCALE	DESIGN UNITS	FIRST ANGLE PROJECTION	
PLACES	TOLERANCE	MM ONLY	DATE	1:1	METRIC	TITLE	
4 PLACES	± ---	MM ONLY	2008/10/09			INTERFACE FOR HYBRIDE MODULE 22CKT CMC	
3 PLACES	± ---					GENERIC SALES DRAWING	
2 PLACES	± 0.05					MOLEX MOLEX INCORPORATED	
1 PLACE	± 0.1					SD-64326-002	
ANGULAR ± 2°		MATERIAL NO. N/A		DOCUMENT NO.		SHEET NO. 1 OF 2	
DRAFT WHERE APPLICABLE MUST REMAIN WITHIN DIMENSIONS		SIZE A2		THIS DRAWING CONTAINS INFORMATION THAT IS PROPRIETARY TO MOLEX INCORPORATED AND SHOULD NOT BE USED WITHOUT WRITTEN PERMISSION			

