

**PLEASE CHECK WWW.MOLEX.COM FOR LATEST PART INFORMATION**

**Part Number:** **0743205006**  
**Status:** **Active**  
**Description:** MicroCross™ DVI-D Digital Visual Interface, PCB Receptacle, Panel Mount, Through Hole, Vertical, Gold (Au) Flash, Lead Free, 2.79mm (.110") P.C.Tail Length, 24 Circuits

**Documents:**

[Drawing \(PDF\)](#) [RoHS Certificate of Compliance \(PDF\)](#)

**Agency Certification**

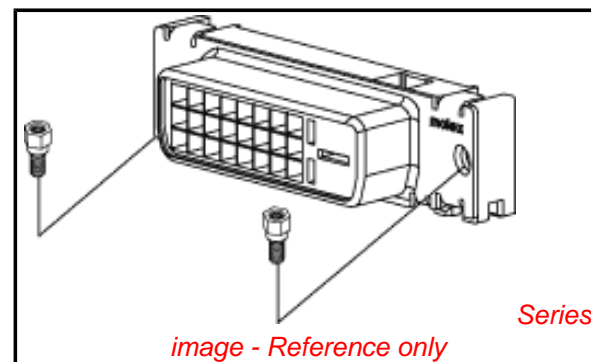
UL E29179

**General**

Product Family	I/O Connectors
Series	<a href="#">74320</a>
Application	Wire-to-Board
Comments	DDWG (Digital Display Working Group) Standard
Component Type	Receptacle
Product Name	MicroCross™DVI
Type	N/A

**Physical**

Boot Color	N/A
Circuits (Loaded)	24
Circuits (maximum)	24
Color - Resin	Natural
Durability (mating cycles max)	100
Flammability	94V-0
Gender	Receptacle
Keying to Mating Part	Yes
Lock to Mating Part	Yes
Material - Metal	Copper Alloy
Material - Plating Mating	Gold
Material - Plating Termination	Tin
Number of Rows	3
Orientation	Vertical
PC Tail Length (in)	0.110 In
PC Tail Length (mm)	2.79 mm
PCB Locator	Yes
PCB Retention	Yes
Packaging Type	Tray
Panel Mount	Yes
Pitch - Mating Interface (in)	0.075 In
Pitch - Mating Interface (mm)	1.91 mm
Pitch - Term. Interface (in)	0.075 In
Pitch - Term. Interface (mm)	1.91 mm
Plating min: Mating (µin)	2
Plating min: Mating (µm)	0.05
Plating min: Termination (µin)	100
Plating min: Termination (µm)	2.50
Polarized to Mating Part	Yes
Polarized to PCB	Yes
Ports	1
Surface Mount Compatible (SMC)	No
Temperature Range - Operating	-20°C to +85°C
Termination Interface: Style	Through Hole
Waterproof / Dustproof	No



*image - Reference only*

**EU RoHS**

**ELV and RoHS  
Compliant**  
**REACH SVHC**  
 Not Reviewed  
**Halogen-Free  
Status**  
 Not Reviewed

**China RoHS**



**Need more information on product  
environmental compliance?**

Email [productcompliance@molex.com](mailto:productcompliance@molex.com)  
 For a multiple part number RoHS Certificate of Compliance, [click here](#)

Please visit the [Contact Us](#) section for any non-product compliance questions.

**Search Parts in this Series**

[74320Series](#)

**Mates With**

[88744](#) , [74323](#)

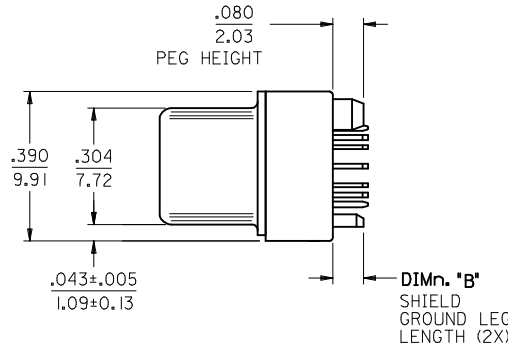
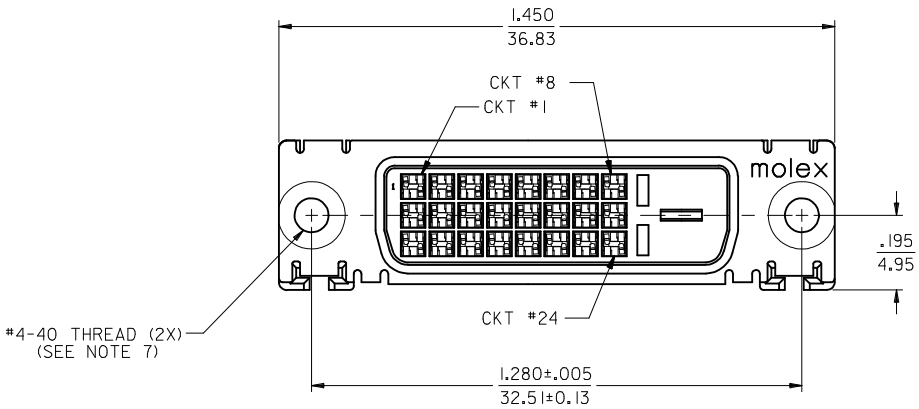
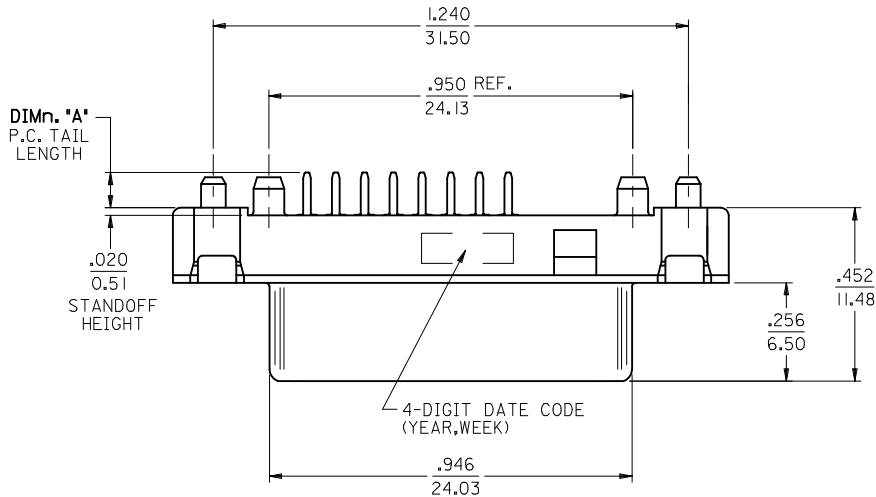
**Use With**

Hex Screw Kit [71781-0001](#) or [71781-0002](#)

Wire Size AWG	N/A
<b>Electrical</b>	
Current - Maximum per Contact	3A
Grounding to Panel	Yes
Shield Type	Full Shield
Shielded	Yes
Voltage - Maximum	40V AC (RMS)
<b>Material Info</b>	
<b>Reference - Drawing Numbers</b>	
Sales Drawing	SD-74320-004

This document was generated on 04/05/2010

**PLEASE CHECK [WWW.MOLEX.COM](http://WWW.MOLEX.COM) FOR LATEST PART INFORMATION**



NOTES:

- MATERIALS:  
SHIELD -- DEEP DRAW STEEL.  
HOUSING -- GLASS FILLED POLYMER, NATURAL (WHITE), UL 94v-0.  
CONTACTS -- COPPER ALLOY.
- PLATING: SEE SHEET 2.
- PRODUCT CONFORMS TO MOLEX PRODUCT SPECIFICATION NUMBER PS-74320-001.
- SEE SHEET 2 FOR RECOMMENDED PANEL CUT-OUT AND P.C.B. LAYOUT.
- PARTS WILL BE PACKAGED IN TRAYS PER PK-74320-010.
- PRODUCT CONFORMS TO DDWG DVI SPECIFICATION. REFER TO THIS SPECIFICATION FOR CONNECTOR MATING DIMENSIONS.
- RECOMMENDED MOUNTING HARDWARE IS MOLEX P/N 71781-0001 OR 82007-0300 OR 88780-6066. REFER TO PRODUCT SPECIFICATION NUMBER PS-74320-001 FOR THE APPLICATION TORQUE REQUIREMENT FOR ASSEMBLING MOUNTING HARDWARE.

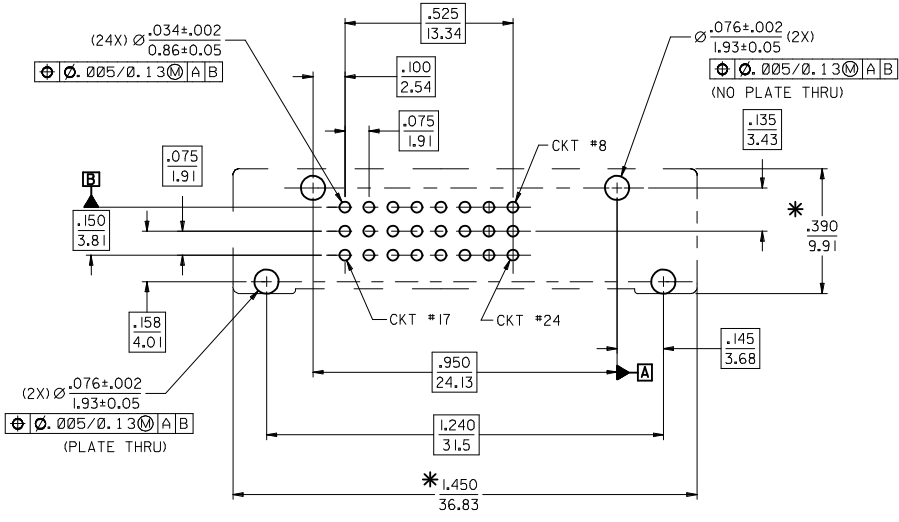
PART NUMBER	DIMn "A"	DIMn "B"	PLATING OPTION
74320-5000	.092/2.34	.080/2.03	1
74320-5001	.050/1.27	.080/2.03	1
74320-5004	.092/2.34	.080/2.03	2
74320-5005	.050/1.27	.080/2.03	2
74320-5006	.110/2.79	.110/2.79	2

REVISE	EC NO: SH2010-0059	2009/08/18	2009/08/18
	DRWN: XJSONG	2009/08/19	2009/08/19
	CHKD: XJSONG	2009/08/19	2009/08/19
	APPR: RZHANG	2009/09/28	2009/09/28
REV	DESCRIPTION		

QUALITY SYMBOLS	▽=0
	▽=0
	4 PLACES ± --- ± ---
	3 PLACES ± 0.25 ± 0.10
	2 PLACES ± 0.25 ± 0.10
1 PLACE ± 0.25 ± 0.10	
ANGULAR ± ---°	
DRAFT WHERE APPLICABLE MUST REMAIN WITHIN DIMENSIONS	

GENERAL TOLERANCES (UNLESS SPECIFIED)		DIMENSION STYLE IN/MM	
mm	INCH	DRAWN BY	DATE
		MOSULLIV	99/02/12
		CHECKED BY	DATE
		MOSULLIV	99/02/12
		APPROVED BY	DATE
		NELLIGAN	99/02/15
MATERIAL NO.		SEE CHART	

SCALE	DESIGN UNITS	THIRD ANGLE PROJECTION
INCH	INCH	
TITLE		
DVI-DIGITAL VERTICAL RECEPTACLE CONNECTOR		
MOLEX INCORPORATED		
DOCUMENT NO.	SHEET NO.	
SD-74320-004	1 OF 2	
THIS DRAWING CONTAINS INFORMATION THAT IS PROPRIETARY TO MOLEX INCORPORATED AND SHOULD NOT BE USED WITHOUT WRITTEN PERMISSION		



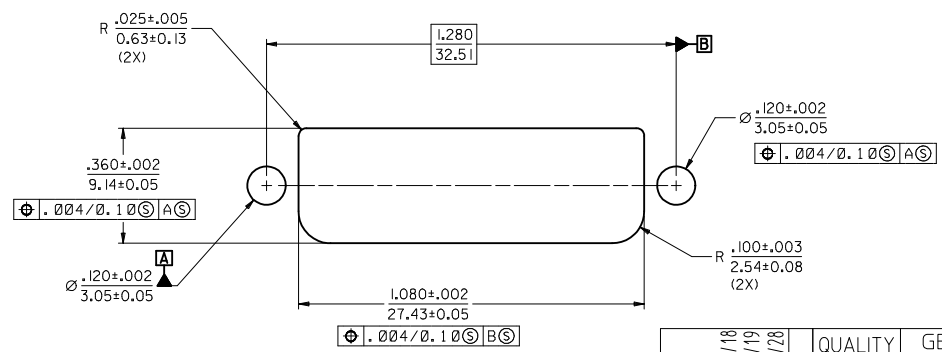
RECOMMENDED PCB LAYOUT

\* THESE DIMENSIONS REPRESENT CONNECTOR OVERLAY ON PCB.

**PLATING OPTIONS:**

PLATING OPTION #1:  
 OUTER SHIELD -- 150u"/3.75um MIN. BRIGHT TIN OVER  
 50u"/1.27um MIN. NICKEL OVER COPPER FLASH.  
 .075"/1.91mm CONTACTS -- 30u"/0.75um MIN. SELECT GOLD AND  
 100u"/2.50um MIN. SELECT PURE TIN  
 OVER 50u"/1.27um MIN. NICKEL OVERALL.

PLATING OPTION #2:  
 OUTER SHIELD -- 150u"/3.75um MIN. BRIGHT TIN OVER  
 50u"/1.27um MIN. NICKEL OVER COPPER FLASH.  
 .075"/1.91mm CONTACTS -- SELECT GOLD FLASH AND  
 100u"/2.50um MIN. SELECT PURE TIN  
 OVER 50u"/1.27um MIN. NICKEL OVERALL.



RECOMMENDED PANEL CUT-OUT  
 PANEL THICKNESS: .030/0.76 - .040/1.02

SEE SHEET1	REV	DESCRIPTION
EC NO: SHZ010-0059	2009/08/18	DRWN:XJSONG
	2009/08/19	CHKD:XJSONG
	2009/09/28	APPR:RZHANG

QUALITY SYMBOLS	▽=0
	∇=0
GENERAL TOLERANCES (UNLESS SPECIFIED)	mm
	INCH
	4 PLACES ± --- ± ---
	3 PLACES ± 0.25 ± 0.10
DIMENSION STYLE	IN/MM
	DRAWN BY
	DATE
SCALE	1:1
	DESIGN UNITS
THIRD ANGLE PROJECTION	INCH
	PROJECTION
DRAWING INFORMATION	ANGULAR ± ---°
	DRAFT WHERE APPLICABLE MUST REMAIN WITHIN DIMENSIONS
MATERIAL NO.	SEE CHART
	SIZE

CHECKED BY	DATE	TITLE
MOSULL IV	99/02/12	DVI-DIGITAL VERTICAL RECEPTACLE CONNECTOR
APPROVED BY	DATE	
NELLIGAN	99/02/15	
MATERIAL NO.	DOCUMENT NO.	SHEET NO.
		2 OF 2

MATERIAL NO.	DOCUMENT NO.	SHEET NO.
DRAFT WHERE APPLICABLE MUST REMAIN WITHIN DIMENSIONS		
THIS DRAWING CONTAINS INFORMATION THAT IS PROPRIETARY TO MOLEX INCORPORATED AND SHOULD NOT BE USED WITHOUT WRITTEN PERMISSION		